

29 300 670 Product version from 6/1/2024

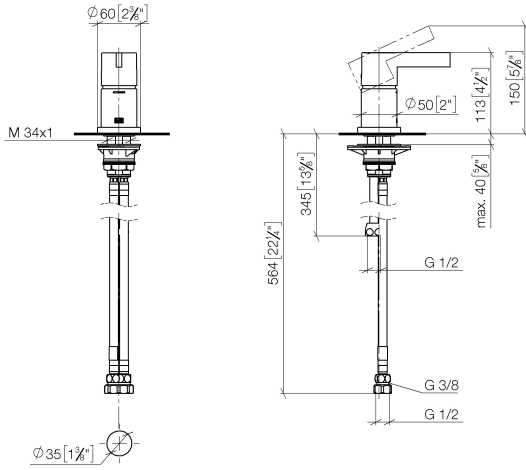


- rosette 60 x 60 mm
- hole diameter 35 mm
- max. flow 35.7 l/min at 3 bar flow pressure
- WRAS

	Platinum	29 300 670-08
	Chrome	29 300 670-00
	Brushed Platinum	29 300 670-06
	Dark Chrome	29 300 670-19
	Brushed Light Gold (PVD)	29 300 670-27
	Brushed Durabrass (23kt Gold)	29 300 670-28
	Matte Black	29 300 670-33
	Brushed Gold (PVD)	29 300 670-37
	Brushed Dark Brass (PVD)	29 300 670-39
	Brushed Bronze (PVD)	29 300 670-42
	Brushed Dark Bronze (PVD)	29 300 670-43
	Brushed Champagne (22kt Gold)	29 300 670-46
	Champagne (22kt Gold)	29 300 670-47
	Brushed Chrome	29 300 670-93
	Brushed Dark Platinum	29 300 670-99

29 300 670 Product version from 6/1/2024

mm [inches]



Flow rate chart



Codes & Standards

ASME A112.18.1	cUPC	DIN 4109	ISO 3822
Scottish Water Byelaws	UK Water Supply Regulations	Ü-Zeichen	



## Single-lever bath mixer for bath rim or tile edge installation - Platinum

SERIES SPECIFIC

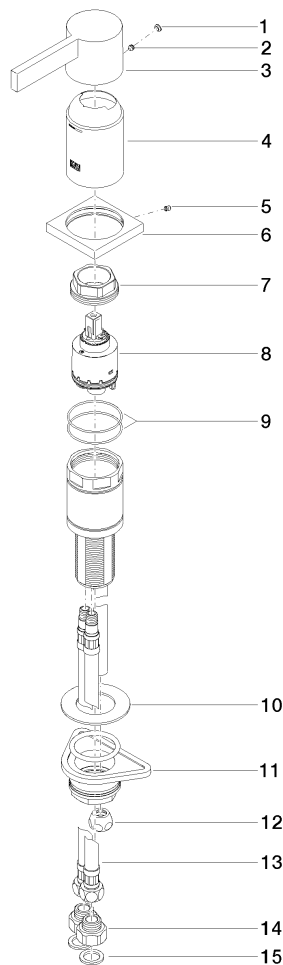
29 300 670 Product version from 6/1/2024

### Certificates and sustainability

LGA_29	IAPMO_4976	WRAS_250502	EPD-DOR-20230287 -IBA1-EN Environmental.prod uct-declarat
--------	------------	-------------	--------------------------------------------------------------------

29 300 670 Product version from 6/1/2024

Parts for other finishes can be found here: Chrome



### Spare parts list

No.	Item Number	Name	Quantity used	Delivery time
	15 09 14 05 004 90	Washer EPDM 70 20,8 x 14,5 x 2,0 mm -	2.00	14
	4 09 28 30 037-08	Cover DB logo Ø 50 x 76,8 mm - Platinum	1.00	54
	6 09 27 67 016-08	Rosette 60 x 60 x 9 x Ø 50,4 mm - Platinum	1.00	54
	2 90 31 11 063 00 90	Mounting Threaded pin with hexagon socket with cup point M5 x 4 mm -	1.00	14
	12 04 23 30 041 00 90	Connection Ø 12 mm x 1/2" -	1.00	14
	13 04 30 04 021 00 90	High pressure hose with sleeve nut M10x1 x 3/8" x 500 mm -	2.00	14
	14 09 24 03 185-00	Nipple Reducing nipple 1/2" x 3/8" - Chrome	2.00	20
	8 90 15 05 039 00 90	Cartridge blue Ø 40 x 75 mm -	1.00	14
	7 09 24 04 448 90	Mounting Nut Ø 42 x 17 mm -	1.00	14
	5 09 31 11 044 90	Mounting Threaded pin with hexagon socket with cup point M4 x 5 mm -	1.00	14
	9 09 14 10 201 90	O-Ring EPDM 70 45,0 x 1,5 mm -	2.00	14
	1 90 31 20 087 00-08	Plug with O-ring Ø 7 x 2,1 mm - Platinum	1.00	54
	3 09 20 67 014-08	Handle Lever 50 x 46 x 124 mm - Platinum	1.00	54
	10 09 30 11 060 90	Disc 60 x 34 x 2 mm -	1.00	14
	11 04 23 10 044 02 90	Mounting with seals M34 x 1 -	1.00	14