



Features

- Premium performance professional LED MR16 range with the same look and feel of traditional halogen MR16 lamp. Recreates backlight effect similar to halogen dichroic lamps. Full glass design - means no colours clashing between lamp and fixture. Very long lifetime of up to 25,000 hours. Switching cycles: >100,000. Colour rendering: CRI80. Lamp voltage: 12V AC/DC. Dimmable on approved dimmers. Works with magnetic and compatible electronic transformers. Warranty: 5 Years

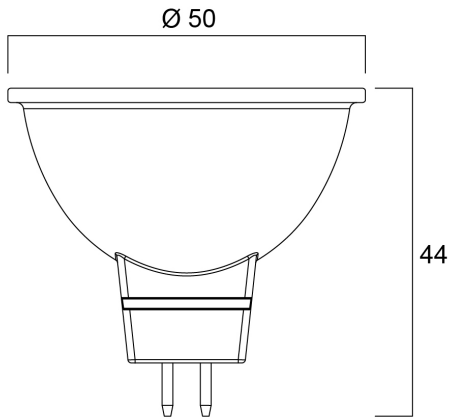
Product Overview

Product name	RefLED Superia Retro MR16 V3 480LM DIM 865 36 SL
Technology	LED
Watt (Rated) (W)	5
Lamp shape	Reflector
Cap/Base	GU5.3
Lamp finish	Fresnel lens
Fixture rating	Open
General application	Education, Hospitality, Museums & Galleries, Office, Residential & Consumer, Retail
ETIM Class	EC001959
Correlated colour temperature (k)	6500
Light colour	Daylight
CRI (Ra)	80
Colour Variation Initial (SDCM)	6
Beam Angle (°)	36
Photobiological Risk Group	RG1
Wattage (W)	5

RefLED Superia Retro MR16 V3 480LM DIM 865 36 SL 0031820

Power consumption (W)	5
Control gear type	LED driver constant current
Dimmable	Yes
Housing colour	Transparent
IP rating	IP20
Product EAN number	5410288318202
Warranty	3 years
Dimming method	Mains: leading / trailing edge
Useful luminous flux (#use)	480

Technical drawings



Data table

GENERAL DATA

Product name	RefLED Superia Retro MR16 V3 480LM DIM 865 36 SL
Technology	LED
Watt (Rated) (W)	5
Lamp shape	Reflector
Cap/Base	GU5.3
Lamp finish	Fresnel lens

RefLED Superia Retro MR16 V3 480LM DIM 865 36 SL 0031820

Fixture rating	Open
General application	Education, Hospitality, Museums & Galleries, Office, Residential & Consumer, Retail
ETIM Class	EC001959
Warranty	3 years

OPTICAL DATA

Useful luminous flux (#use)	480
Correlated colour temperature (k)	6500
Light colour	Daylight
CRI (Ra)	80
Colour Variation Initial (SDCM)	6
Luminous Intensity (cd)	930
Beam Angle (°)	36
Photobiological Risk Group	RG1

ELECTRICAL DATA

Power consumption (W)	5
Wattage (W)	5
Equivalent watt (W)	40
Current (A)	0.58
Primary Supply/Product voltage - min (V)	12.0
Primary Supply/Product voltage - max (V)	12.0
Control gear required	Yes
Control gear type	LED driver constant current
No. Of switching cycles before premature failures	>50000
Dimmable	Yes
Dimming method	Mains: leading / trailing edge
Inrush Current (A)	3.2
Inrush Duration (µs)	760
Lamp Energy Label (class)	F
Nominal Frequency (Hz)	DC

LIFETIME DATA

Lifespan L70 B50	25000
------------------	-------

PHYSICAL DATA

Housing colour	Transparent
IP rating	IP20
Nominal Product Height (mm)	44
Nominal Product Diameter (mm)	50
Weight (kg)	0.033

PACKAGING

Product EAN number	5410288318202
Packaging single length / height (cm)	6.1
Packaging single width (cm)	5.1
Packaging single depth (cm)	8.2
DUN14 (inner)	15410288318209
Units per inner package	6
Packaging inner length / height (cm)	19.4
Packaging inner width (cm)	11.1
Packaging inner depth (cm)	9.2
DUN14 (outer)	25410288318206
Units per outer package	60
Packaging outer length / height (cm)	58.5
Packaging outer width (cm)	20.8
Packaging outer depth (cm)	20.8

SAFETY DATA

Breakage cleaning instructions	Not applicable
Special purpose lamp	No
Dry applications use only	Yes
Suitable for household illumination	Yes
Safety message	Suitable for approved transf./dimmers

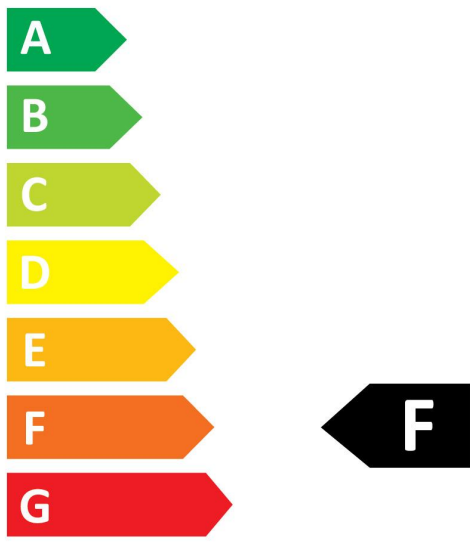
SYLVANIA

RefLED Superia Retro MR16 V3 480LM DIM 865 36 SL
0031820

Energy label



0031820



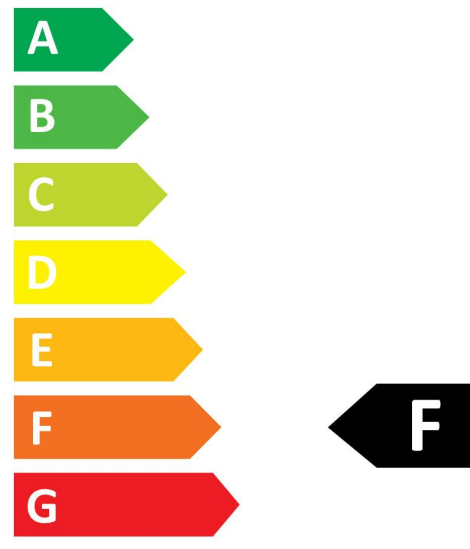
5
kWh/1000h



2019/2015



0031820



5
kWh/1000h



2019/2015