

# Technical data sheet

## Base clamp clip, single

Item number: 2140233



Can be screwed onto M6 thread.



**PP** Polypropylene

### Master data

Item number	2140233
Type	2962 22 LGR
Description 1	Base clamp
Manufacturer	OBO
Dimension	19-22mm
Colour	Light grey; RAL 7035
Material	Polypropylene
Smallest sales unit	50
Unit of quantity	Units
Weight	0,514 kg
Weight unit	kg/100 pairs
CO2 Footprint (GWP) Cradle-to-Gate	0,0216 kg CO2e / 1 Piece

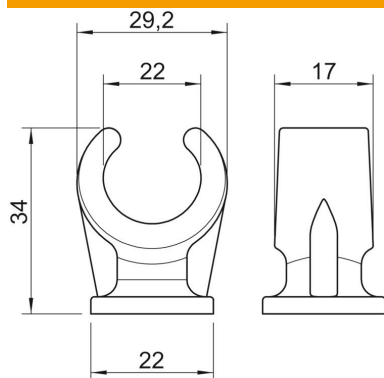
# Technical data sheet

## Base clamp clip, single

Item number: 2140233



### Dimensions



Dimension A	29,2 mm
Dimension B	17 mm
Dimension C	22 mm
Dimension H	34 mm

### Technical specifications

Number of cables/pipes	1
Version for	Single-lobe
Fastening type	Threaded connection
Suitable in fire protection area	no
Size	19-22
Halogen-free	yes
Plastic-covered	no
Nominal diameter	18,8 mm
Clamping range D, max.	22 mm
Clamping range D, min.	19 mm
UV-resistant	no