

## Features

- Integrated LED recessed spotlight, 2-axis adjustable (horizontal rotation 360°, vertical tilt 30°) RAL9016 white bezel colour, two temperature light colors selectable: 3000K, 4000K. Lumen output 820lm (4000K), 8.2W, dimmable trailing/leading edge, 38° degree beam angle, aluminium and steel body, low profile 40mm recessed depth, IP65 frontal degree, IK03, loop-in/loop-out terminals for fast wiring, 80mm cutout, clear lens. Air-proof, to limit air leakage when used in residential applications within the building's thermal envelope. Directly coverable with insulation material according to EN60598-1

## Product Overview

|                                 |  |
|---------------------------------|--|
| Product name                    | OBICO 80 IP65 820LM 2CCT 930/940 DIM WHT |
| Technology                      | LED                                      |
| Cap/Base                        | N/A                                      |
| Housing                         | Aluminium                                |
| Mount                           | Ceiling recessed mounting                |
| E-number FI                     | 4278508                                  |
| Fixture luminous flux (lm)      | 820                                      |
| Luminaire efficacy (lm/W)       | 100                                      |
| Light colour                    | Neutral White                            |
| CRI (Ra)                        | 90                                       |
| Colour Variation Initial (SDCM) | 4  |
| Photobiological Risk Group      | RG1                                      |
| Total power consumption (W)     | 8.2                                      |
| Electrical protection           | Class II                                 |
| Control gear type               | LED driver constant current              |
| Housing colour                  | RAL 9016 - Traffic white / Bezel         |
| IP rating                       | IP65/20                                  |

OBICO 80 IP65 820LM 2CCT 930/940 DIM WHT  
0005366

**IK rating**

IK07

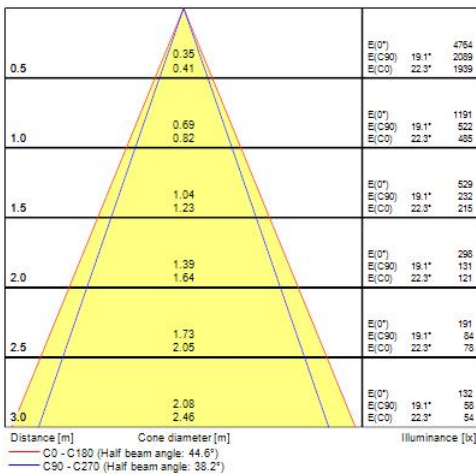
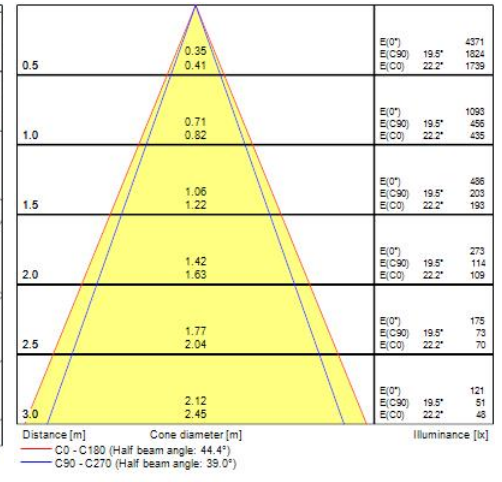
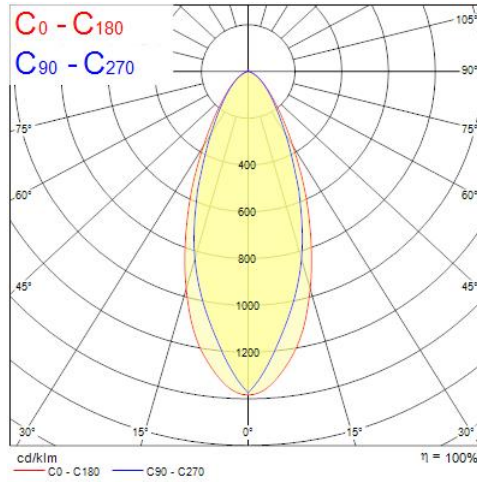
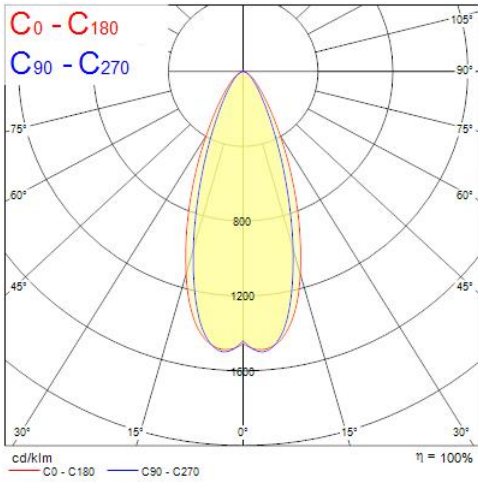
**Product EAN number**

5410288053660

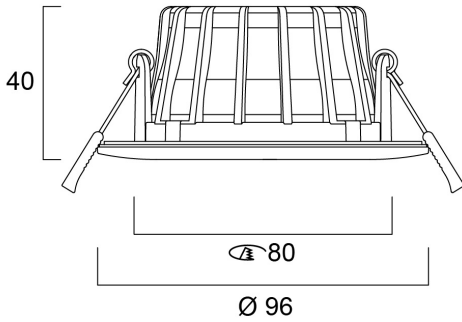
**Warranty**

5 years

## Photometry



## Technical drawings



## Data table

### GENERAL DATA

|   |  |
|---|--|
| Product name                            | OBICO 80 IP65 820LM 2CCT 930/940 DIM WHT |
| Technology                              | LED                                      |
| Cap/Base                                | N/A                                      |
| Housing                                 | Aluminium                                |
| Mount                                   | Ceiling recessed mounting                |
| Operating temperature range (°C)        | -20°C...+40°C                            |
| Performance ambient temperature Tq (°C) | 25                                       |
| E-number FI                             | 4278508                                  |
| Warranty                                | 5 years                                  |

### OPTICAL DATA

|   |               |
|---|---------------|
| Fixture luminous flux (lm)              | 820           |
| Luminaire efficacy (lm/W)               | 100           |
| Correlated colour temperature range (K) | 3000 - 4000   |
| Light colour                            | Neutral White |

## OBICO 80 IP65 820LM 2CCT 930/940 DIM WHT 0005366

|                                 |     |
|---------------------------------|-----|
| CRI (Ra)                        | 90  |
| Colour Variation Initial (SDCM) | 4   |
| Photobiological Risk Group      | RG1 |

### ELECTRICAL DATA

|  |                             |
|--|-----------------------------|
| Total power consumption (W)                                  | 8.2                         |
| Primary Supply/Product voltage - min (V)                     | 220                         |
| Lamp power factor  | 0.9                         |
| Electrical protection  | Class II                    |
| Control gear required  | No                          |
| Control gear type  | LED driver constant current |
| Drive current (mA)   | 185                         |
| Inrush Current (A)   | 2                           |
| Inrush Duration ( $\mu$ s)                                   | 20                          |
| Glow Wire Test ( $^{\circ}$ C)                               | 650                         |
| Energy Efficiency Class (A->G) of contained light source     | D                           |
| Nominal Frequency (Hz)                                       | 50/60Hz                     |
| Max. products per 10A C Breaker                              | 90                          |
| Max. products per 20A B Breaker                              | 181                         |
| Connectable conductor cross section - Min (mm <sup>2</sup> ) | 0.75                        |
| Connectable conductor cross section - Max (mm <sup>2</sup> ) | 1.5                         |

### LIFETIME DATA

|                  |        |
|------------------|--------|
| Lifespan L70 B50 | 100000 |
| Lifespan L80 B20 | 88000  |
| Lifespan L80 B10 | 86000  |
| Lifespan L90 B10 | 42000  |

### PHYSICAL DATA

|                |                                  |
|----------------|----------------------------------|
| Housing colour | RAL 9016 - Traffic white / Bezel |
| IP rating      | IP65/20                          |

## OBICO 80 IP65 820LM 2CCT 930/940 DIM WHT 0005366

|                               |       |
|-------------------------------|-------|
| IK rating                     | IK07  |
| Diffuser finish               | Other |
| Diffuser material             | None  |
| Nominal Product Diameter (mm) | 96    |
| Weight (kg)                   | 0.21  |

### PACKAGING

|                                      |                |
|--------------------------------------|----------------|
| Single packaging type                | Carton         |
| Product EAN number                   | 5410288053660  |
| Packaging single width (cm)          | 8.0            |
| Packaging single depth (cm)          | 14.4           |
| DUN14 (inner)                        | 25410288053664 |
| Units per inner package              | 6              |
| Packaging inner length / height (cm) | 29.9           |
| Packaging inner width (cm)           | 25.2           |
| Packaging inner depth (cm)           | 12.8           |
| DUN14 (outer)                        | 15410288053667 |
| Packaging outer length / height (cm) | 52.1           |

### SAFETY DATA

|                                     |        |
|-------------------------------------|--------|
| Optimal operating condition (°C)    | -20-40 |
| Special purpose lamp                | No     |
| Dry applications use only           | No     |
| Suitable for household illumination | No     |