



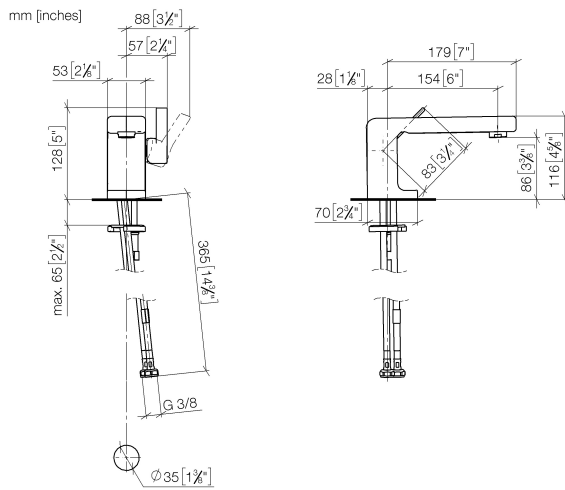
33 521 710 Product version from 3/31/2009 to 5/15/2020



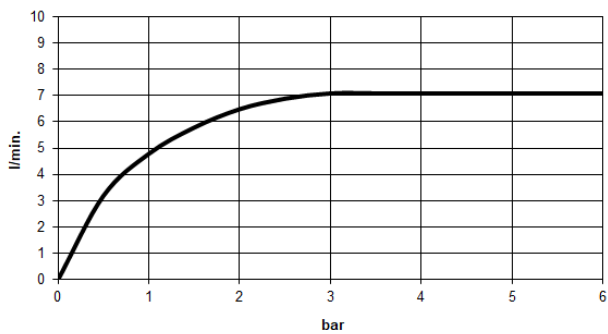
- 155mm projection
- fixed spout
- circular, air-enriched flow
- height of mixer 113 mm
- height up to aerator 90 mm
- hole diameter 35 mm
- 2x screw-in M 8 x 1 pressure hose, leak-tested
- max. flow 7 l/min
- lead-free
- WRAS
- This product can help a building meet the requirements of Green Building Rating Systems, e.g. LEED®, BREEAM®, DGNB

	Chrome	33 521 710-00
	Brushed Platinum	33 521 710-06

33 521 710 Product version from 3/31/2009 to 5/15/2020



Flow rate chart



Codes & Standards

DIN 4109	EN 817	Executive Order no. 1007	ISO 3822
Scottish Water Byelaws	UK Water Supply Regulations	Ü-Zeichen	VA-Zeichen



LULU Single-lever basin mixer without pop-up waste - Chrome

LULU

33 521 710 Product version from 3/31/2009 to 5/15/2020

Certificates and sustainability

LGA_9

GDV_0400

ETA_18

EPD-DOR-20230287 WRAS_251102
-IBA1-EN
Environmental.prod
uct-declarat

