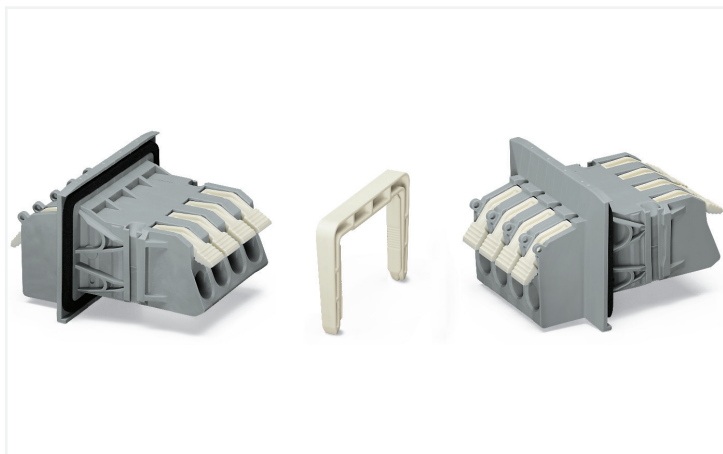


Data Sheet | Item Number: 828-264/313-000

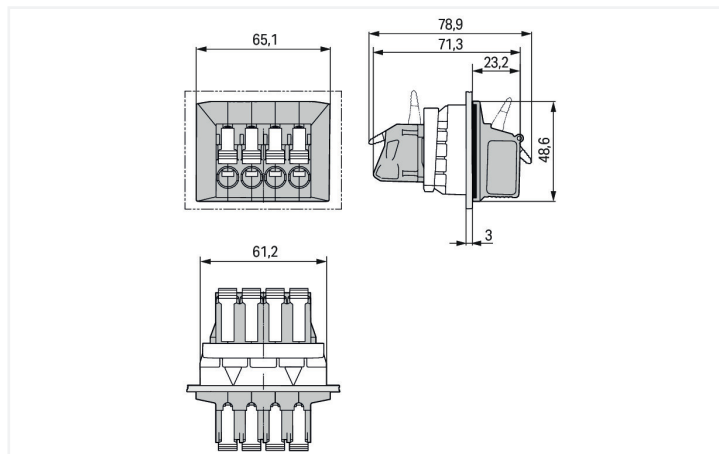
Feedthrough terminal block; lever; Plate thickness: 3 mm; 16 mm²; Pin spacing 11.5 mm; 3-pole; CAGE CLAMP®; 16,00 mm²; gray

<https://www.wago.com/828-264/313-000>

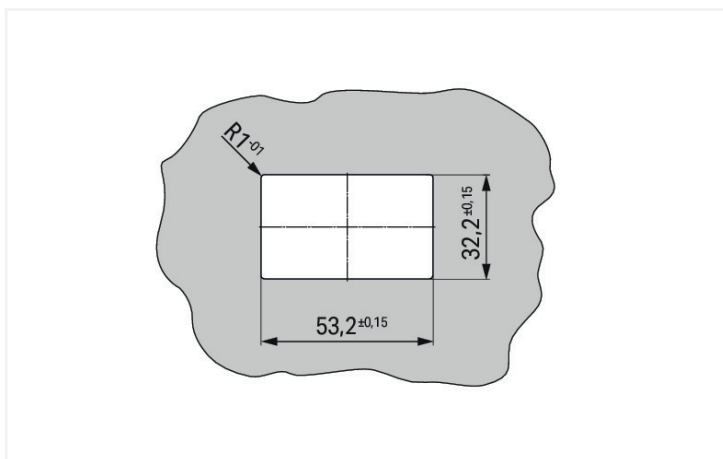


Color: ■ gray

Similar to illustration



Dimensions in mm



Dimensions in mm

- Feedthrough terminal strips with CAGE CLAMP® on both sides
- Easy, tool-free installation
- Tool-free termination – fingers open/close levers
- Several clamping units can be held open simultaneously – convenient for terminating multi-core cables
- 600 V UL

Notes

Variants:

Other pole numbers
 Adapters for varying sheet panel thicknesses
 Direct marking
 Other versions (or variants) can be requested from WAGO Sales or configured at <https://configurator.wago.com/>.

Electrical data

Ratings per	IEC/EN 60664-1		
Overvoltage category	III	III	II
Pollution degree	3	2	2
Nominal voltage	1000 V	1000 V	1000 V
Rated surge voltage	8 kV	8 kV	8 kV
Rated current	57 A	57 A	57 A

Approvals per	UL 1059		
Use group	B	C	D
Rated voltage	600 V	600 V	-
Rated current	30 A	30 A	-

Approvals per	CSA		
	B	C	D
Use group	B	C	D
Rated voltage	600 V	600 V	-
Rated current	30 A	30 A	-

Connection data

Connection points	8	Connection 1	
Total number of potentials	3	Connection technology	CAGE CLAMP®
Number of connection types	2	Actuation type	Lever
Number of levels	1	Solid conductor	1.5 ... 16 mm ² / 16 ... 6 AWG
		Fine-stranded conductor	1.5 ... 16 mm ² / 16 ... 6 AWG
		Fine-stranded conductor; with insulated ferrule	1.5 ... 10 mm ²
		Fine-stranded conductor; with uninsulated ferrule	1.5 ... 10 mm ²
		Strip length	12 ... 13 mm / 0.47 ... 0.51 inches
		Pole number	4

Physical data

Pin spacing	11.5 mm / 0.453 inches
Width	65.1 mm / 2.563 inches
Height	48.6 mm / 1.913 inches
Depth	79.1 mm / 3.114 inches

Mechanical data

Housing sheet thickness	3 ... 3 mm / 0.118 ... 0.118 inches
Mounting type	Locking claw Feed-through mounting

Material data

Note (material data)	Information on material specifications can be found here
Color	gray
Material group	I
Insulation material	Polyamide (PA66)
Flammability class per UL94	V0
Clamping spring material	Chrome-nickel spring steel (CrNi)
Contact material	Electrolytic copper (E _{Cu})
Contact plating	Tin
Fire load	2.411 MJ
Weight	103.2 g

Environmental requirements

Limit temperature range	-60 ... +105 °C
Processing temperature	-35 ... +60 °C

Commercial data

Product Group	4 (Printed Circuit Connectors)
PU (SPU)	20 pcs
Packaging type	Box
Country of origin	CN
GTIN	4050821157793
Customs tariff number	85366990990

Environmental Product Compliance

CAS-No.	131651-65-5 144317-44-2 220133-51-7 220689-12-3 25628-08-4 29420-49-3 375-73-5 503155-89-3 507453-86-3 68259-10-9
REACH Candidate List Substance	Perfluorobutane sulfonic acid (PFBS) and its salts
RoHS Compliance Status	Compliant,With Exemption
RoHS Exemption	6(c) 7(a) 7(c)-I 7(c)-II
SCIP notification number (Austria)	8fdf0b57-c889-4867-a568-413226867de6
SCIP notification number (Belgium)	5a43bf77-af4d-46f5-b9ce-6910d0cab19e
SCIP notification number (Bulgaria)	7716ae8c-aa4f-4159-9cf7-8fc80c1791cf
SCIP notification number (Czech Republic)	8d3b5ac1-ae6b-4d76-89d8-704f26aeb15e
SCIP notification number (Denmark)	a7af41f0-5bb1-4318-97ae-34919452595f
SCIP notification number (Finland)	0cd84b89-1157-4e89-b0af-bc6cfd94fcc
SCIP notification number (France)	dcb20770-96b3-4e7c-a7df-1af600efb876
SCIP notification number (Germany)	29c8bae2-5260-4853-bc91-52bdf2117ef1
SCIP notification number (Hungary)	052b0a43-1ed8-4a4f-a3f3-c049795e69dc
SCIP notification number (Italy)	9597eac0-8f66-4ae7-9a1b-6225bd5bc016
SCIP notification number (Netherlands)	55e16641-b028-4ff5-a612-de4424d7fa74
SCIP notification number (Poland)	980d9bec-b3d5-4341-bf52-54a2ac63a616
SCIP notification number (Romania)	7a10bcfa-5e63-43b9-87ea-7398aaa88e06
SCIP notification number (Sweden)	97c59d19-bae8-4fe1-97f4-bc14483ec512

Approvals / Certificates

General approvals



Approval	Standard	Certificate Name
CSA DEKRA Certification B.V.	C22.2 No. 158	2059958
UL UL International Germany GmbH	UL 1059	E45172

Downloads

Environmental Product Compliance

Compliance Search

Environmental Product
Compliance
828-264/313-000



Documentation

Additional Information

Technical Section

03.04.2019

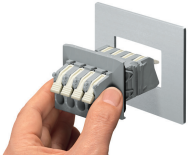
pdf

2010.85 KB

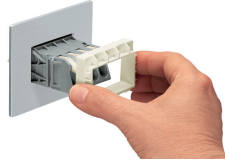


Installation Notes

Installation



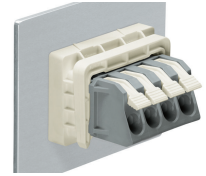
Insert terminal strip from the outside.



Snap the panel thickness adapter on from the inside.



Secure to panel via locking clip.



Mounted feedthrough terminal strip (internal)