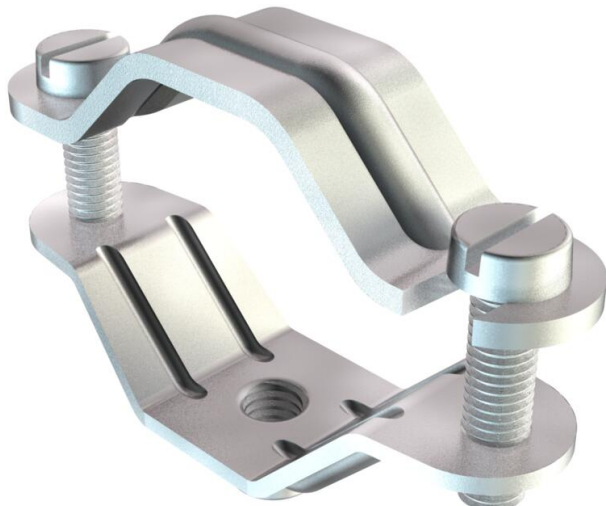


Technical data sheet

Screw-in spacer clip, universal

Item number: 1380222



With M6 thread.
Universal clip with large tensioning area.



St Steel

G Electrogalvanized

Master data

| | |
|------------------------------------|-----------------------------|
| Item number | 1380222 |
| Type | 2071 M6 G |
| Description 1 | Distance saddle |
| Description 2 | with threaded connection M6 |
| Manufacturer | OBO |
| Dimension | 20-30mm |
| Material | Steel |
| Surface | Electrogalvanised |
| Surface standard | EN ISO 19598 / EN ISO 4042 |
| Smallest sales unit | 50 |
| Unit of quantity | Units |
| Weight | 3,31 kg |
| Weight unit | kg/100 pairs |
| CO2 Footprint (GWP) Cradle-to-Gate | 0,0811 kg CO2e / 1 Piece |

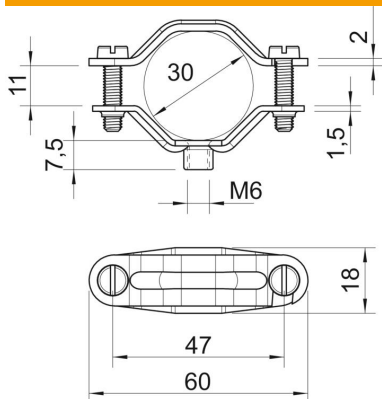
Technical data sheet

Screw-in spacer clip, universal

Item number: 1380222



Dimensions



| | |
|-------------------|--------|
| Length | 60 mm |
| Width | 14 mm |
| Dimension A | 60 mm |
| Dimension B | 47 mm |
| Dimension b | 18 mm |
| Dimension D | 30 mm |
| Dimension d min. | 30 mm |
| Dimension H | 7,5 mm |
| Dimension L | 60 mm |
| Dimension t1 (mm) | 1,5 |
| Dimension t2 (mm) | 2 |
| Dimension x | 11 mm |

Technical specifications

| | |
|----------------------------------|------------|
| Version for | Closed |
| Fastening type | Screw hole |
| Suitable in fire protection area | no |
| Halogen-free | no |
| Plastic-covered | no |
| Hole size | M6 mm |
| Material thickness | 1,5 mm |
| Bolt | M5 x 20 |
| Clamping range D, max. | 30 mm |
| Clamping range D, min. | 20 mm |
| UV-resistant | yes |