

Features

- Integrated LED recessed spotlight, 2-axis adjustable (horizontal rotation 360°, vertical tilt 30°) brushed chrome bezel colour, 3 CCT options of 2700-3000-4000k, lumen up to 550lm, , 5.4W, dimmable trailing/leading edge, 38° degree beam angle, aluminium and steel body, low profile 37mm recessed depth, IP65 frontal degree, IK03, loop-in/loop-out terminals for fast wiring, 68mm cutout, clear lens. Air-proof, to limit air leakage when used in residential applications within the building's thermal envelope. Directly coverable with insulation material according to EN60598-1

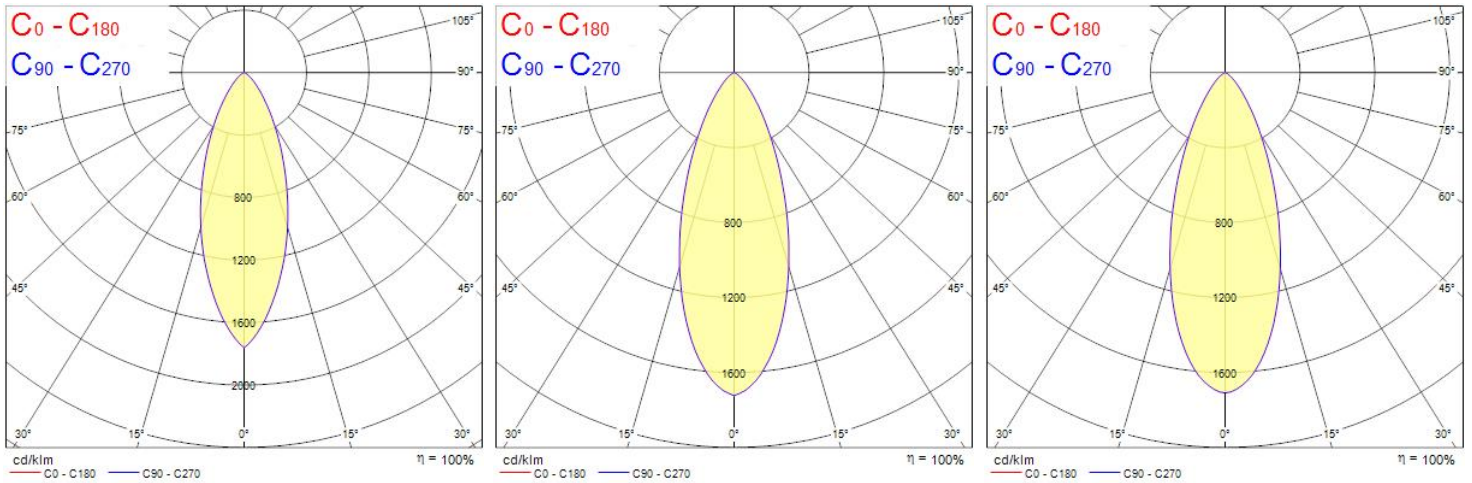
Product Overview

Product name	OBICO 68 IP65 530lm 3CCT DIM ADJ BRUSHED CHROME
Technology	LED
Cap/Base	N/A
Housing	Aluminium
Mount	Ceiling recessed mounting
E-number FI	4278507
Fixture luminous flux (lm)	530
Luminaire efficacy (lm/W)	98
Light colour	Cool White
CRI (Ra)	90
Colour Variation Initial (SDCM)	6
Photobiological Risk Group	RG1
Total power consumption (W)	5.4
Electrical protection	Class II
Control gear type	LED driver constant current
Housing colour	Chrome

OBICO 68 IP65 530lm 3CCT DIM ADJ BRUSHED CHROME 0005365

IP rating	IP65/20
IK rating	IK07
Product EAN number	5410288053653
Warranty	5 years

Photometry



Distance [m]	Cone diameter [m]	Illuminance [lx]
0.5	0.33	E(0°) 3628 E(C0) 1558
1.0	0.67	E(0°) 907 E(C0) 390
1.5	1.00	E(0°) 403 E(C0) 173
2.0	1.33	E(0°) 227 E(C0) 97
2.5	1.66	E(0°) 145 E(C0) 62
3.0	2.00	E(0°) 101 E(C0) 43

Distance [m] Cone diameter [m] Illuminance [lx]
C0 - C180 (Half beam angle: 36.8°)

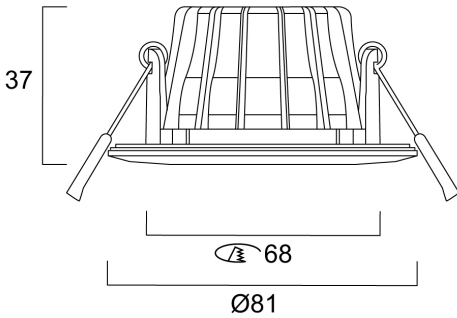
Distance [m]	Cone diameter [m]	Illuminance [lx]
0.5	0.35	E(0°) 3596 E(C0) 1513
1.0	0.70	E(0°) 899 E(C0) 378
1.5	1.06	E(0°) 400 E(C0) 168
2.0	1.41	E(0°) 225 E(C0) 95
2.5	1.76	E(0°) 144 E(C0) 61
3.0	2.11	E(0°) 100 E(C0) 42

Distance [m] Cone diameter [m] Illuminance [lx]
C0 - C180 (Half beam angle: 38.8°)

Distance [m]	Cone diameter [m]	Illuminance [lx]
0.5	0.36	E(0°) 3491 E(C0) 1442
1.0	0.71	E(0°) 858 E(C0) 360
1.5	1.07	E(0°) 381 E(C0) 160
2.0	1.42	E(0°) 214 E(C0) 90
2.5	1.78	E(0°) 137 E(C0) 58
3.0	2.14	E(0°) 96 E(C0) 40

Distance [m] Cone diameter [m] Illuminance [lx]
C0 - C180 (Half beam angle: 39.2°)

Technical drawings



Data table

GENERAL DATA

Product name	OBICO 68 IP65 530lm 3CCT DIM ADJ BRUSHED CHROME
Technology	LED
Cap/Base	N/A
Housing	Aluminium
Mount	Ceiling recessed mounting
Operating temperature range (°C)	-20°C...+40°C
Performance ambient temperature Tq (°C)	25
E-number FI	4278507
Warranty	5 years

OPTICAL DATA

Fixture luminous flux (lm)	530
Luminaire efficacy (lm/W)	98
Correlated colour temperature range (K)	2700 - 4000

OBICO 68 IP65 530lm 3CCT DIM ADJ BRUSHED CHROME 0005365

Light colour	Cool White
CRI (Ra)	90
Colour Variation Initial (SDCM)	6
Photobiological Risk Group	RG1

ELECTRICAL DATA

Total power consumption (W)	5.4
Primary Supply/Product voltage - min (V)	220
Lamp power factor	0.8
Electrical protection	Class II
Control gear required	No
Control gear type	LED driver constant current
Drive current (mA)	130
Inrush Current (A)	2
Inrush Duration (μ s)	100
Glow Wire Test ($^{\circ}$ C)	650
Energy Efficiency Class (A->G) of contained light source	E
Nominal Frequency (Hz)	50/60Hz
Max. products per 10A C Breaker	250
Max. products per 20A B Breaker	400
Connectable conductor cross section - Min (mm ²)	0.75
Connectable conductor cross section - Max (mm ²)	1.5

LIFETIME DATA

Lifespan L70 B50	100000
Lifespan L80 B10	100000
Lifespan L90 B10	50000

PHYSICAL DATA

Housing colour	Chrome
IP rating	IP65/20

OBICO 68 IP65 530lm 3CCT DIM ADJ BRUSHED CHROME 0005365

IK rating	IK07
Diffuser finish	Other
Diffuser material	None
Nominal Product Diameter (mm)	81
Weight (kg)	0.21

PACKAGING

Single packaging type	Carton
Product EAN number	5410288053653
Packaging single width (cm)	8.0
Packaging single depth (cm)	14.4
DUN14 (inner)	25410288053657
Units per inner package	6
Packaging inner length / height (cm)	29.9
Packaging inner width (cm)	25.2
Packaging inner depth (cm)	12.8
DUN14 (outer)	15410288053650
Packaging outer length / height (cm)	52.1

SAFETY DATA

Optimal operating condition (°C)	-20-40
Special purpose lamp	No
Dry applications use only	No
Suitable for household illumination	No