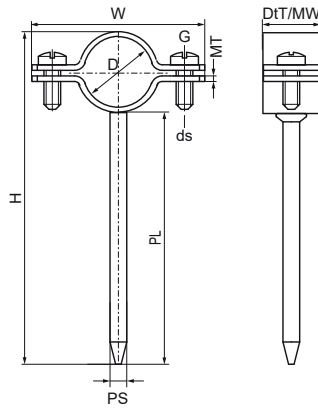


## Walraven Nail-in Clamp

(B2505)



### Features & benefits

- two-screw clamp on hammer-in stud
- clamp with quick locking system
- material: steel
- zinc plated

## EPD

Product Number	DN	Pipe Diameter Imperial	Pin Size	Pin Length	Total Height	Total Width	Total Depth	Material Width	Material Thickness	Screw Size
<i>Reference letter</i>	<i>D</i>	<i>D</i>	<i>PS</i>	<i>PL</i>	<i>H</i>	<i>W</i>	<i>DtT</i>	<i>MW</i>	<i>MT</i>	<i>ds</i>
<i>Unit description</i>		"	mm	mm	mm	mm	mm	mm	mm	
3861021	DN 15		5	80	109	55	20	20	1.50	M5
3861027	DN 20	3/4	5	80	116	63	20	20	1.50	M5