

### Features

- Integrated LED recessed spotlight, white bezel colour, white reflector, 50° degree beam angle, 3-CCT changeable 2700-3000-4000K, polycarbonate and aluminium body, low profile 68.5mm recessed depth, IP65 from the front, IK07, loop-in/loop-out terminals for fast wiring, 85mm bezel diameter, 68mm cutout, clear lens.

### Product Overview

Product name	START SPOT ALU 870LM 3CCT DIM IP65 WHT
Technology	LED
Cap/Base	N/A
Housing	Aluminium
Mount	Ceiling recessed mounting
General application	Residential & Consumer
ETIM Class	EC001744
Fixture luminous flux (lm)	870
Luminaire efficacy (lm/W)	100
Light colour	Neutral White
CRI (Ra)	80
Colour Variation Initial (SDCM)	6
Beam Angle (°)	50
Photobiological Risk Group	RG1
Total power consumption (W)	8.7
Electrical protection	Class II
Control gear type	LED driver constant current
Dimmable	Yes
Housing colour	RAL 9016 - Traffic white / Bezel
IP rating	IP65/20

## START SPOT ALU 870LM 3CCT DIM IP65 WHT 0005187

**IK rating**

IK07

**Product EAN number**

5410288051871

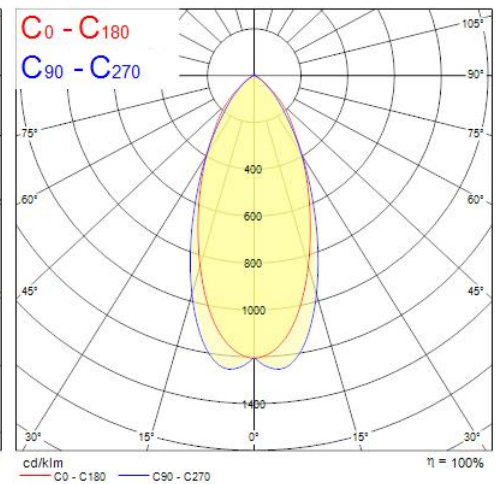
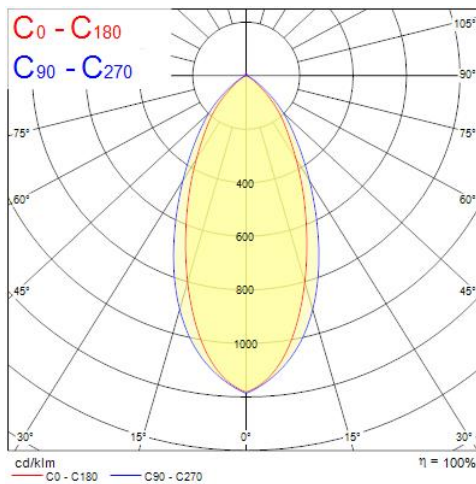
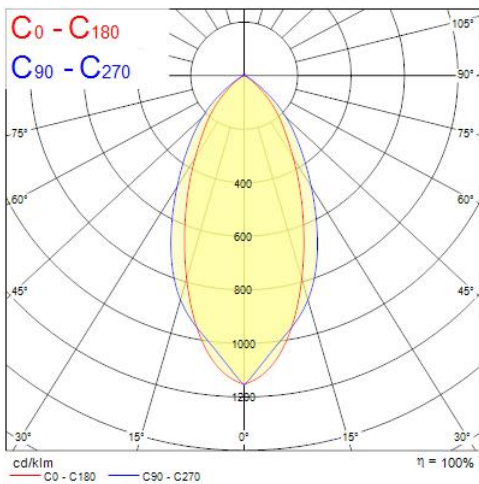
**Warranty**

5 years

**Dimming method**

Mains: leading / trailing edge

### Photometry



Distance [m]	Cone diameter [m]	Illuminance [lx]
0.5	0.52 0.41	E(0°) 3592 E(C90) 27.5° 1259 E(C0) 22.4° 1426
1.0	1.04 0.82	E(0°) 898 E(C90) 27.5° 315 E(C0) 22.4° 357
1.5	1.56 1.24	E(0°) 399 E(C90) 27.5° 140 E(C0) 22.4° 158
2.0	2.08 1.65	E(0°) 224 E(C90) 27.5° 79 E(C0) 22.4° 89
2.5	2.60 2.06	E(0°) 144 E(C90) 27.5° 50 E(C0) 22.4° 57
3.0	3.12 2.47	E(0°) 100 E(C90) 27.5° 35 E(C0) 22.4° 40

Distance [m]    Cone diameter [m]    Illuminance [lx]  
 — C0 - C180 (Half beam angle: 44.6°)  
 — C90 - C270 (Half beam angle: 55.0°)

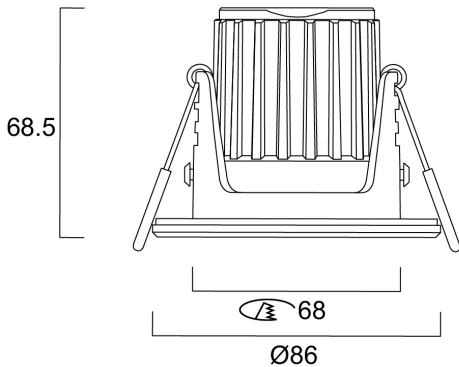
Distance [m]	Cone diameter [m]	Illuminance [lx]
0.5	0.49 0.41	E(0°) 4099 E(C90) 26.2° 1493 E(C0) 22.3° 1524
1.0	0.98 0.82	E(0°) 1025 E(C90) 26.2° 373 E(C0) 22.3° 406
1.5	1.48 1.23	E(0°) 455 E(C90) 26.2° 166 E(C0) 22.3° 180
2.0	1.97 1.64	E(0°) 256 E(C90) 26.2° 93 E(C0) 22.3° 102
2.5	2.46 2.05	E(0°) 164 E(C90) 26.2° 60 E(C0) 22.3° 66
3.0	2.95 2.46	E(0°) 114 E(C90) 26.2° 41 E(C0) 22.3° 45

Distance [m]    Cone diameter [m]    Illuminance [lx]  
 — C0 - C180 (Half beam angle: 44.6°)  
 — C90 - C270 (Half beam angle: 52.4°)

Distance [m]	Cone diameter [m]	Illuminance [lx]
0.5	0.45 0.43	E(0°) 4137 E(C90) 24.1° 1640 E(C0) 23.1° 1610
1.0	0.89 0.85	E(0°) 1034 E(C90) 24.1° 410 E(C0) 23.1° 403
1.5	1.34 1.28	E(0°) 450 E(C90) 24.1° 182 E(C0) 23.1° 179
2.0	1.79 1.71	E(0°) 259 E(C90) 24.1° 102 E(C0) 23.1° 101
2.5	2.24 2.13	E(0°) 165 E(C90) 24.1° 66 E(C0) 23.1° 64
3.0	2.68 2.56	E(0°) 115 E(C90) 24.1° 46 E(C0) 23.1° 45

Distance [m]    Cone diameter [m]    Illuminance [lx]  
 — C0 - C180 (Half beam angle: 46.2°)  
 — C90 - C270 (Half beam angle: 48.2°)

### Technical drawings



### Data table

#### GENERAL DATA

Product name	START SPOT ALU 870LM 3CCT DIM IP65 WHT
Technology	LED
Cap/Base	N/A
Housing	Aluminium
Mount	Ceiling recessed mounting
General application	Residential & Consumer
Operating temperature range (°C)	-10°C...+40°C
ETIM Class	EC001744
Warranty	5 years

#### OPTICAL DATA

Fixture luminous flux (lm)	870
Luminaire efficacy (lm/W)	100
Correlated colour temperature range (K)	2700 - 4000
Light colour	Neutral White
CRI (Ra)	80

## START SPOT ALU 870LM 3CCT DIM IP65 WHT 0005187

Colour Variation Initial (SDCM)	6
Beam Angle (°)	50
Distribution type	Symmetric
Photobiological Risk Group	RG1

### ELECTRICAL DATA

Total power consumption (W)	8.7
Primary Supply/Product voltage - min (V)	220.0
Primary Supply/Product voltage - max (V)	240.0
Lamp power factor	0.9
THD (at 230 V, 50 Hz, full load, at 100% dimming level) $\leq$ xx.x %	35
Electrical protection	Class II
Control gear required	No
Control gear type	LED driver constant current
Dimmable	Yes
Dimming method	Mains: leading / trailing edge
Drive current - Range (mA)	9mA / 85mA
Inrush Current (A)	1.75
Inrush Duration ( $\mu$ s)	100
Glow Wire Test (°C)	650
Energy Efficiency Class (A->G) of contained light source	E
Nominal Frequency (Hz)	50/60Hz
Max. products per 10A C Breaker	80
Max. products per 13A C Breaker	105
Max. products per 16A C Breaker	130
Max. products per 20A C Breaker	160
Max. products per 10A B Breaker	80
Max. products per 13A B Breaker	105
Max. products per 16A B Breaker	130
Connectable conductor cross section - Min (mm <sup>2</sup> )	0.75
Connectable conductor cross section - Max (mm <sup>2</sup> )	1.5

## START SPOT ALU 870LM 3CCT DIM IP65 WHT 0005187

### LIFETIME DATA

Lifespan L70 B50	100000
Lifespan L80 B20	51000
Lifespan L80 B10	48000

### PHYSICAL DATA

Housing colour	RAL 9016 - Traffic white / Bezel
IP rating	IP65/20
IK rating	IK07
Diffuser finish	Other
Diffuser material	None
Reflector finish	None
Nominal Product Height (mm)	68.5
Nominal Product Diameter (mm)	86
Cutout Dimensions (W x L in mm or Diameter in mm)	68
Weight (kg)	0.198

### PACKAGING

Single packaging type	Carton
Product EAN number	5410288051871
Packaging single length / height (cm)	11.5
Packaging single width (cm)	8.0
Packaging single depth (cm)	14.4
DUN14 (inner)	25410288051875
Units per inner package	6
Packaging inner length / height (cm)	29.9
Packaging inner width (cm)	25.8
Packaging inner depth (cm)	12.8
DUN14 (outer)	15410288051878
Units per outer package	6
Packaging outer length / height (cm)	53.3
Packaging outer width (cm)	31.5

START SPOT ALU 870LM 3CCT DIM IP65 WHT  
**0005187**

---

Packaging outer depth (cm)	41.1
----------------------------	------

## SAFETY DATA

---

Optimal operating condition (°C)	-10-40
----------------------------------	--------

Special purpose lamp	No
----------------------	----

Dry applications use only	No
---------------------------	----

Suitable for household illumination	No
-------------------------------------	----