

Features

- Integrated LED recessed spotlight, 2-axis adjustable (horizontal rotation 360°, vertical tilt 30°), white bezel colour, 3 CCT options of 2700-3000-4000k, lumen up to 550lm, 5.4W, dimmable trailing/leading edge, 38° degree beam angle, aluminium and steel body, low profile 37mm recessed depth, IP65 frontal degree, IK03, loop-in/loop-out terminals for fast wiring, 68mm cutout, clear lens. Air-proof, to limit air leakage when used in residential applications within the building's thermal envelope. Directly coverable with insulation material according to EN60598-1

Product Overview

Product name	OBICO 68 IP65 550lm 3CCT DIM ADJ WHITE
Technology	LED
Cap/Base	N/A
Housing	Aluminium
Mount	Ceiling recessed mounting
E-number FI	4278505
Fixture luminous flux (lm)	550
Luminaire efficacy (lm/W)	102
Light colour	Cool White
CRI (Ra)	90
Colour Variation Initial (SDCM)	6
Photobiological Risk Group	RG1
Total power consumption (W)	5.4
Electrical protection	Class II
Control gear type	LED driver constant current
Housing colour	RAL 9016 - Traffic white / Bezel
IP rating	IP65/20
IK rating	IK07

OBICO 68 IP65 550lm 3CCT DIM ADJ WHITE 0005363

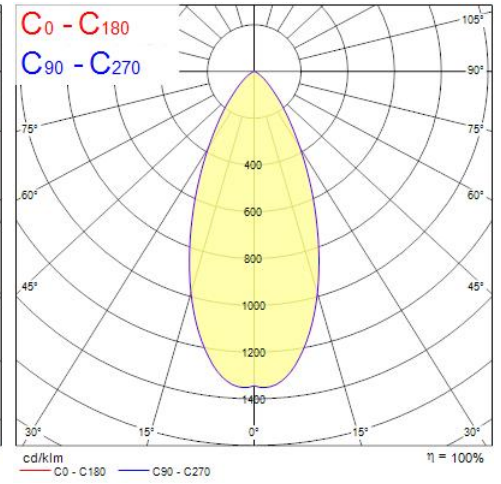
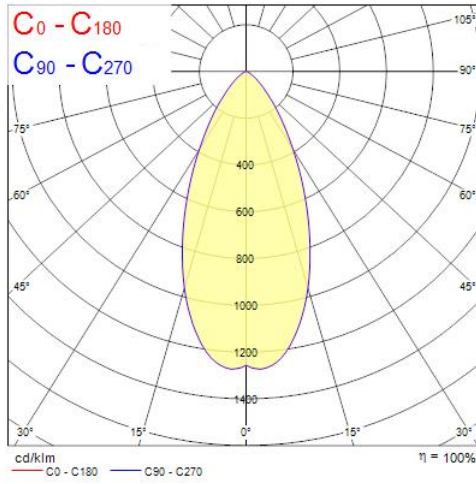
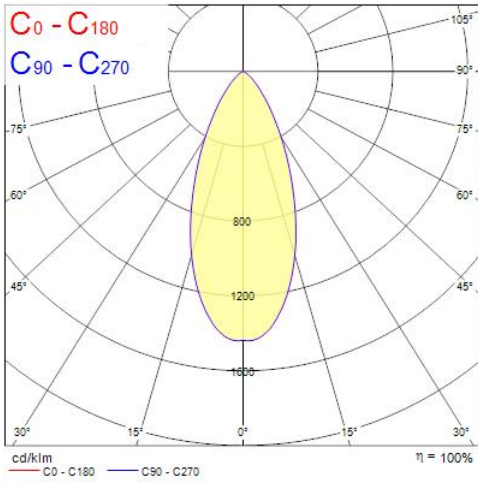
Product EAN number

5410288053639

Warranty

5 years

Photometry

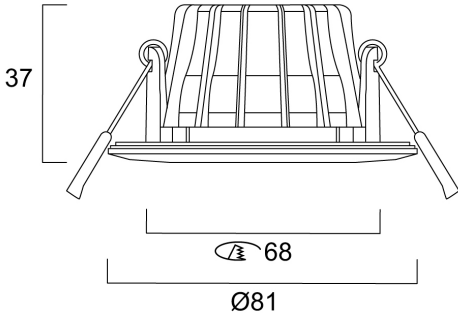


0.5	0.40	E _(0°) E _(C0)	2960 1183
1.0	0.81	E _(0°) E _(C0)	738 296
1.5	1.21	E _(0°) E _(C0)	328 131
2.0	1.62	E _(0°) E _(C0)	154 74
2.5	2.02	E _(0°) E _(C0)	118 47
3.0	2.42	E _(0°) E _(C0)	82 33
Distance [m]	Cone diameter [m]	Illuminance [lx]	
C ₀ - C ₁₈₀ (Half beam angle: 44.0°)			

0.5	0.45	E _(0°) E _(C0)	2577 998
1.0	0.89	E _(0°) E _(C0)	644 249
1.5	1.34	E _(0°) E _(C0)	286 111
2.0	1.78	E _(0°) E _(C0)	151 62
2.5	2.23	E _(0°) E _(C0)	103 40
3.0	2.67	E _(0°) E _(C0)	72 28
Distance [m]	Cone diameter [m]	Illuminance [lx]	
C ₀ - C ₁₈₀ (Half beam angle: 48.0°)			

0.5	0.42	E _(0°) E _(C0)	2941 1156
1.0	0.85	E _(0°) E _(C0)	735 290
1.5	1.27	E _(0°) E _(C0)	327 128
2.0	1.70	E _(0°) E _(C0)	154 72
2.5	2.12	E _(0°) E _(C0)	118 46
3.0	2.55	E _(0°) E _(C0)	82 32
Distance [m]	Cone diameter [m]	Illuminance [lx]	
C ₀ - C ₁₈₀ (Half beam angle: 46.0°)			

Technical drawings



Data table

GENERAL DATA

Product name	OBICO 68 IP65 550lm 3CCT DIM ADJ WHITE
Technology	LED
Cap/Base	N/A
Housing	Aluminium
Mount	Ceiling recessed mounting
Operating temperature range (°C)	-20°C...+40°C
Performance ambient temperature Tq (°C)	25
E-number FI	4278505
Warranty	5 years

OPTICAL DATA

Fixture luminous flux (lm)	550
Luminaire efficacy (lm/W)	102
Correlated colour temperature range (K)	2700 - 4000
Light colour	Cool White

OBICO 68 IP65 550lm 3CCT DIM ADJ WHITE 0005363

CRI (Ra)	90
Colour Variation Initial (SDCM)	6
Photobiological Risk Group	RG1

ELECTRICAL DATA

Total power consumption (W)	5.4
Primary Supply/Product voltage - min (V)	220
Lamp power factor	0.8
Electrical protection	Class II
Control gear required	No
Control gear type	LED driver constant current
Drive current (mA)	130
Inrush Current (A)	2
Inrush Duration (μ s)	100
Glow Wire Test ($^{\circ}$ C)	650
Energy Efficiency Class (A->G) of contained light source	E
Nominal Frequency (Hz)	50/60Hz
Max. products per 10A C Breaker	250
Max. products per 20A B Breaker	400
Connectable conductor cross section - Min (mm ²)	0.75
Connectable conductor cross section - Max (mm ²)	1.5

LIFETIME DATA

Lifespan L70 B50	100000
Lifespan L80 B20	100000
Lifespan L80 B10	100000
Lifespan L90 B10	50000

PHYSICAL DATA

Housing colour	RAL 9016 - Traffic white / Bezel
IP rating	IP65/20

OBICO 68 IP65 550lm 3CCT DIM ADJ WHITE 0005363

IK rating	IK07
Diffuser finish	Other
Diffuser material	None
Nominal Product Diameter (mm)	81
Weight (kg)	0.21

PACKAGING

Single packaging type	Carton
Product EAN number	5410288053639
Packaging single width (cm)	8.0
Packaging single depth (cm)	14.4
DUN14 (inner)	25410288053633
Units per inner package	6
Packaging inner length / height (cm)	29.9
Packaging inner width (cm)	25.2
Packaging inner depth (cm)	12.8
DUN14 (outer)	15410288053636
Packaging outer length / height (cm)	52.1

SAFETY DATA

Optimal operating condition (°C)	-20-40
Special purpose lamp	No
Dry applications use only	No
Suitable for household illumination	No