



Features

- Integrated LED recessed spotlight, vertical tilt 30°, black aluminium bezel finish, dimmable trailing/leading edge, 3-CCT changeable 2700-3000-4000K, 50° degree beam angle, polycarbonate and aluminium body, low profile 62mm recessed depth, IP44 from the front, IK07, loop-in/loop-out terminals for fast wiring, 68mm cutout, clear lens. Additional white or gold reflectors can be ordered as accessory.

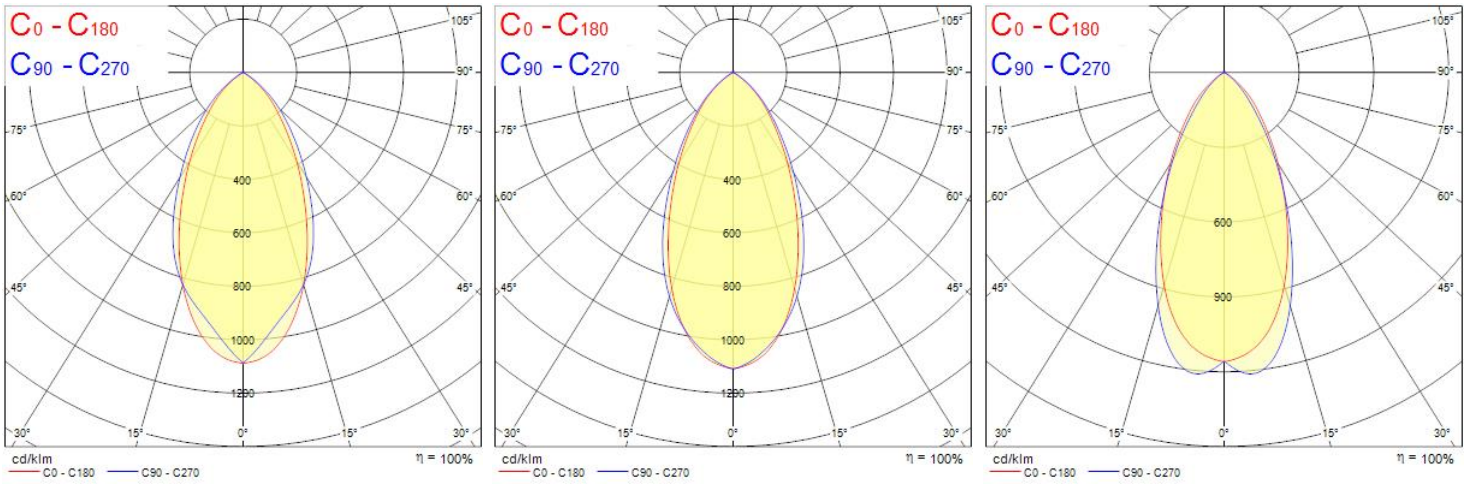
Product Overview

Product name	START SPOT ALU 760LM 3CCT DIM IP44 BLK
Technology	LED
Cap/Base	N/A
Housing	Aluminium
Mount	Ceiling recessed mounting
General application	Residential & Consumer
ETIM Class	EC001744
E-number FI	4279309
Fixture luminous flux (lm)	760
Luminaire efficacy (lm/W)	100
Light colour	Neutral White
CRI (Ra)	80
Colour Variation Initial (SDCM)	6
Beam Angle (°)	50
Photobiological Risk Group	RG1
Total power consumption (W)	8.7
Electrical protection	Class II
Control gear type	LED driver constant current
Dimmable	Yes
Housing colour	RAL 9005 - Jet black

START SPOT ALU 760LM 3CCT DIM IP44 BLK 0005186

IP rating	IP44/20
IK rating	IK07
Product EAN number	5410288051864
Warranty	5 years
Dimming method	Mains: leading / trailing edge

Photometry



Distance [m]	Cone diameter [m]	Beam diameter [m]	E(0°)	E(C90)	E(C0)	Illuminance [lx]
0.5	0.53 0.47	0.53 0.47	3052	27.8° 1056	25.1° 1136	
1.0	1.05 0.94	1.05 0.94	763	27.8° 284	25.1° 284	
1.5	1.58 1.41	1.58 1.41	339	27.8° 117	25.1° 126	
2.0	2.11 1.87	2.11 1.87	191	27.8° 66	25.1° 71	
2.5	2.64 2.34	2.64 2.34	122	27.8° 42	25.1° 45	
3.0	3.16 2.81	3.16 2.81	85	27.8° 29	25.1° 32	

Distance [m] Cone diameter [m] Illuminance [lx]

— C0 - C180 (Half beam angle: 50.2°)
— C90 - C270 (Half beam angle: 55.6°)

Distance [m]	Cone diameter [m]	Beam diameter [m]	E(0°)	E(C90)	E(C0)	Illuminance [lx]
0.5	0.51 0.47	0.51 0.47	3099	26.9° 1029	25.0° 1266	
1.0	1.01 0.93	1.01 0.93	848	26.9° 302	25.0° 317	
1.5	1.52 1.40	1.52 1.40	377	26.9° 134	25.0° 141	
2.0	2.03 1.87	2.03 1.87	212	26.9° 76	25.0° 79	
2.5	2.54 2.33	2.54 2.33	136	26.9° 48	25.0° 51	
3.0	3.04 2.80	3.04 2.80	94	26.9° 34	25.0° 35	

Distance [m] Cone diameter [m] Illuminance [lx]

— C0 - C180 (Half beam angle: 50.0°)
— C90 - C270 (Half beam angle: 53.8°)

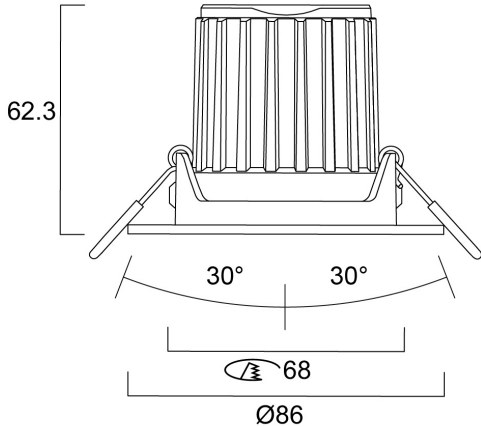
Distance [m]	Cone diameter [m]	Beam diameter [m]	E(0°)	E(C90)	E(C0)	Illuminance [lx]
0.5	0.46 0.47	0.46 0.47	3529	24.6° 1397	25.0° 1516	
1.0	0.92 0.93	0.92 0.93	882	24.6° 349	25.0° 329	
1.5	1.37 1.40	1.37 1.40	392	24.6° 155	25.0° 146	
2.0	1.83 1.87	1.83 1.87	221	24.6° 87	25.0° 82	
2.5	2.29 2.33	2.29 2.33	141	24.6° 56	25.0° 53	
3.0	2.75 2.80	2.75 2.80	98	24.6° 39	25.0° 37	

Distance [m] Cone diameter [m] Illuminance [lx]

— C0 - C180 (Half beam angle: 50.0°)
— C90 - C270 (Half beam angle: 49.2°)

START SPOT ALU 760LM 3CCT DIM IP44 BLK 0005186

Technical drawings



Data table

GENERAL DATA

Product name	START SPOT ALU 760LM 3CCT DIM IP44 BLK
Technology	LED
Cap/Base	N/A
Housing	Aluminium
Mount	Ceiling recessed mounting
General application	Residential & Consumer
Operating temperature range (°C)	-10°C...+40°C
ETIM Class	EC001744
E-number FI	4279309
Warranty	5 years

OPTICAL DATA

Fixture luminous flux (lm)	760
Luminaire efficacy (lm/W)	100
Correlated colour temperature range (K)	2700 - 4000
Light colour	Neutral White

START SPOT ALU 760LM 3CCT DIM IP44 BLK 0005186

CRI (Ra)	80
Colour Variation Initial (SDCM)	6
Beam Angle (°)	50
Distribution type	Symmetric
Photobiological Risk Group	RG1

ELECTRICAL DATA

Total power consumption (W)	8.7
Primary Supply/Product voltage - min (V)	220.0
Primary Supply/Product voltage - max (V)	240.0
Lamp power factor	0.9
THD (at 230 V, 50 Hz, full load, at 100% dimming level) ≤ xx.x %	35
Electrical protection	Class II
Control gear required	No
Control gear type	LED driver constant current
Dimmable	Yes
Dimming method	Mains: leading / trailing edge
Drive current - Range (mA)	9mA / 85mA
Inrush Current (A)	1.75
Inrush Duration (µs)	100
Glow Wire Test (°C)	650
Energy Efficiency Class (A->G) of contained light source	E
Nominal Frequency (Hz)	50/60Hz
Max. products per 10A C Breaker	80
Max. products per 13A C Breaker	105
Max. products per 16A C Breaker	130
Max. products per 20A C Breaker	160
Max. products per 10A B Breaker	80
Max. products per 13A B Breaker	105
Max. products per 16A B Breaker	130
Connectable conductor cross section - Min (mm ²)	0.75

START SPOT ALU 760LM 3CCT DIM IP44 BLK 0005186

Connectable conductor cross section - 1.5
Max (mm²)

LIFETIME DATA

Lifespan L70 B50	100000
Lifespan L80 B20	51000
Lifespan L80 B10	48000

PHYSICAL DATA

Housing colour	RAL 9005 - Jet black
IP rating	IP44/20
IK rating	IK07
Diffuser finish	Other
Diffuser material	None
Reflector finish	None
Nominal Product Height (mm)	62.3
Nominal Product Diameter (mm)	86
Cutout Dimensions (W x L in mm or Diameter in mm)	68
Weight (kg)	0.198

PACKAGING

Single packaging type	Carton
Product EAN number	5410288051864
Packaging single length / height (cm)	11.5
Packaging single width (cm)	8.0
Packaging single depth (cm)	14.4
DUN14 (inner)	25410288051868
Units per inner package	6
Packaging inner length / height (cm)	29.9
Packaging inner width (cm)	25.8
Packaging inner depth (cm)	12.8
DUN14 (outer)	15410288051861
Units per outer package	6

START SPOT ALU 760LM 3CCT DIM IP44 BLK 0005186

Packaging outer length / height (cm)	53.3
Packaging outer width (cm)	31.5
Packaging outer depth (cm)	41.1

SAFETY DATA

Optimal operating condition (°C)	-10-40
Special purpose lamp	No
Dry applications use only	No
Suitable for household illumination	No