



### Features

- Integrated LED recessed spotlight, vertical tilt 30°, white aluminium bezel finish, dimmable trailing/leading edge, 3-CCT changeable 2700-3000-4000K, 50° degree beam angle, polycarbonate and aluminium body, low profile 62mm recessed depth, IP44 from the front, IK07, loop-in/loop-out terminals for fast wiring, 68mm cutout, clear lens. Additional black or gold reflectors can be ordered as accessory.

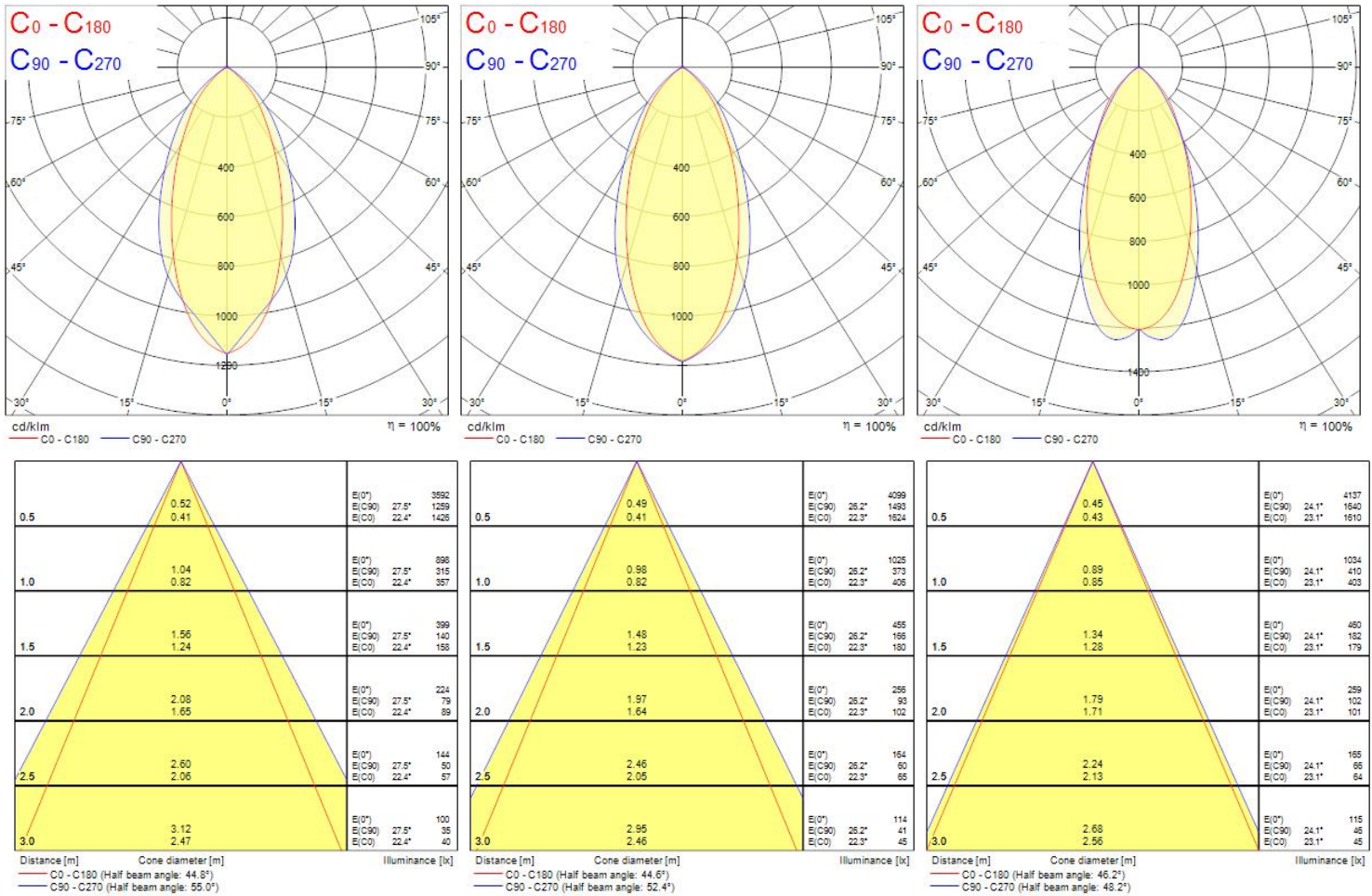
### Product Overview

Product name	START SPOT ALU 870LM 3CCT DIM IP44 WHT
Technology	LED
Cap/Base	N/A
Housing	Aluminium
Mount	Ceiling recessed mounting
General application	Residential & Consumer
ETIM Class	EC001744
E-number FI	4279307
Fixture luminous flux (lm)	870
Luminaire efficacy (lm/W)	100
Light colour	Neutral White
CRI (Ra)	80
Colour Variation Initial (SDCM)	6
Beam Angle (°)	50
Photobiological Risk Group	RG1
Total power consumption (W)	8.7
Electrical protection	Class II
Control gear type	LED driver constant current
Dimmable	Yes
Housing colour	RAL 9016 - Traffic white / Bezel

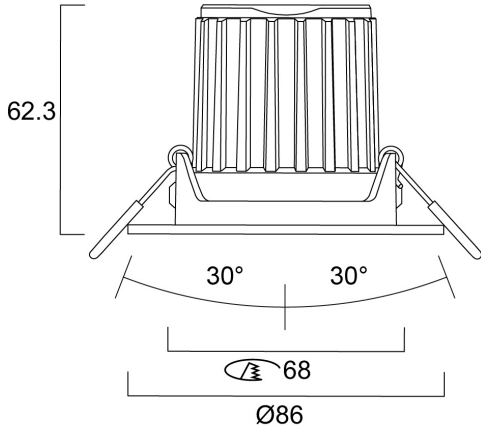
## START SPOT ALU 870LM 3CCT DIM IP44 WHT 0005184

IP rating	IP44/20
IK rating	IK07
Product EAN number	5410288051840
Warranty	5 years
Dimming method	Mains: leading / trailing edge

### Photometry



### Technical drawings



### Data table

#### GENERAL DATA

Product name	START SPOT ALU 870LM 3CCT DIM IP44 WHT
Technology	LED
Cap/Base	N/A
Housing	Aluminium
Mount	Ceiling recessed mounting
General application	Residential & Consumer
Operating temperature range (°C)	-10°C...+40°C
ETIM Class	EC001744
E-number FI	4279307
Warranty	5 years

#### OPTICAL DATA

Fixture luminous flux (lm)	870
Luminaire efficacy (lm/W)	100
Correlated colour temperature range (K)	2700 - 4000
Light colour	Neutral White

## START SPOT ALU 870LM 3CCT DIM IP44 WHT 0005184

CRI (Ra)	80
Colour Variation Initial (SDCM)	6
Beam Angle (°)	50
Distribution type	Symmetric
Photobiological Risk Group	RG1

### ELECTRICAL DATA

Total power consumption (W)	8.7
Primary Supply/Product voltage - min (V)	220.0
Primary Supply/Product voltage - max (V)	240.0
Lamp power factor	0.9
THD (at 230 V, 50 Hz, full load, at 100% dimming level) ≤ xx.x %	35
Electrical protection	Class II
Control gear required	No
Control gear type	LED driver constant current
Dimmable	Yes
Dimming method	Mains: leading / trailing edge
Drive current - Range (mA)	9mA / 85mA
Inrush Current (A)	1.75
Inrush Duration (µs)	100
Glow Wire Test (°C)	650
Energy Efficiency Class (A->G) of contained light source	E
Nominal Frequency (Hz)	50/60Hz
Max. products per 10A C Breaker	80
Max. products per 13A C Breaker	105
Max. products per 16A C Breaker	130
Max. products per 20A C Breaker	160
Max. products per 10A B Breaker	80
Max. products per 13A B Breaker	105
Max. products per 16A B Breaker	130
Connectable conductor cross section - Min (mm <sup>2</sup> )	0.75

## START SPOT ALU 870LM 3CCT DIM IP44 WHT 0005184

Connectable conductor cross section - 1.5  
Max (mm<sup>2</sup>)

### LIFETIME DATA

Lifespan L70 B50	100000
Lifespan L80 B20	51000
Lifespan L80 B10	48000

### PHYSICAL DATA

Housing colour	RAL 9016 - Traffic white / Bezel
IP rating	IP44/20
IK rating	IK07
Diffuser finish	Other
Diffuser material	None
Reflector finish	None
Nominal Product Height (mm)	62.3
Nominal Product Diameter (mm)	86
Cutout Dimensions (W x L in mm or Diameter in mm)	68
Weight (kg)	0.198

### PACKAGING

Single packaging type	Carton
Product EAN number	5410288051840
Packaging single length / height (cm)	11.5
Packaging single width (cm)	8.0
Packaging single depth (cm)	14.4
DUN14 (inner)	25410288051844
Units per inner package	6
Packaging inner length / height (cm)	29.9
Packaging inner width (cm)	25.8
Packaging inner depth (cm)	12.8
DUN14 (outer)	15410288051847
Units per outer package	6

## START SPOT ALU 870LM 3CCT DIM IP44 WHT 0005184

---

Packaging outer length / height (cm)	53.3
Packaging outer width (cm)	31.5
Packaging outer depth (cm)	41.1

### SAFETY DATA

---

Optimal operating condition (°C)	-10-40
Special purpose lamp	No
Dry applications use only	No
Suitable for household illumination	No