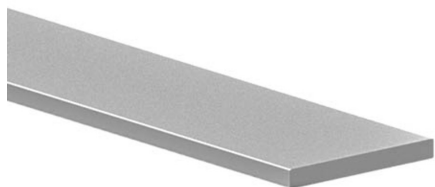


Concord

LYTESPAN H-TRACK STRIP FIXING 2M S-5033/2000 2070372



Features

- Lytespan H-Track accessory. Aluminium LED support for REVERSE use, aluminium body, L=2000mm. Compatible with Lytespan H-Track Reverse use only.

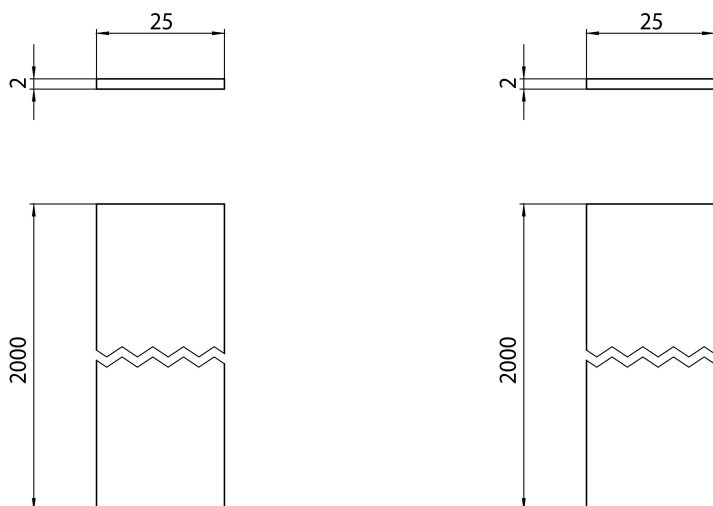
Product Overview

| | |
|----------------------------|---|
| Product name | LYTESPAN H-TRACK STRIP FIXING 2M S-5033/2000 |
| Technology | Accessory |
| Housing | Aluminium |
| Mount | Track mounting |
| General application | Museums & Galleries, Office, Hospitality |
| ETIM Class | EC002557 |
| Housing colour | Silver |
| Product EAN number | 5025768703722 |
| Warranty | 5 years |

Concord

LYTESPAN H-TRACK STRIP FIXING 2M S-5033/2000 2070372

Technical drawings



Data table

GENERAL DATA

| | |
|----------------------------|---|
| Product name | LYTESPAN H-TRACK STRIP FIXING 2M S-5033/2000 |
| Technology | Accessory |
| Accessory type | Reflectors |
| Type of accessory | Mounting plate |
| Housing | Aluminium |
| Mount | Track mounting |
| General application | Museums & Galleries, Office, Hospitality |
| ETIM Class | EC002557 |
| Warranty | 5 years |

Concord

LYTESPAN H-TRACK STRIP FIXING 2M S-5033/2000 2070372

ELECTRICAL DATA

| | |
|-----------------------|----|
| Control gear required | No |
|-----------------------|----|

PHYSICAL DATA

| | |
|----------------|--------|
| Housing colour | Silver |
|----------------|--------|

| | |
|-----------------------------|------|
| Nominal Product Length (mm) | 2000 |
|-----------------------------|------|

| | |
|----------------------------|------|
| Nominal Product Width (mm) | 28.4 |
|----------------------------|------|

| | |
|-----------------------------|------|
| Nominal Product Height (mm) | 12.2 |
|-----------------------------|------|

| | |
|-------------|-----|
| Weight (kg) | 1.3 |
|-------------|-----|

PACKAGING

| | |
|--------------------|---------------|
| Product EAN number | 5025768703722 |
|--------------------|---------------|

| | |
|---------------------------------------|------|
| Packaging single length / height (cm) | 30.0 |
|---------------------------------------|------|

| | |
|-----------------------------|------|
| Packaging single width (cm) | 30.0 |
|-----------------------------|------|

| | |
|-----------------------------|------|
| Packaging single depth (cm) | 12.5 |
|-----------------------------|------|

| | |
|---------------|----------------|
| DUN14 (outer) | 05025768703722 |
|---------------|----------------|

| | |
|-------------------------|----|
| Units per outer package | 20 |
|-------------------------|----|

| | |
|--------------------------------------|------|
| Packaging outer length / height (cm) | 30.0 |
|--------------------------------------|------|

| | |
|----------------------------|------|
| Packaging outer width (cm) | 30.0 |
|----------------------------|------|

| | |
|----------------------------|------|
| Packaging outer depth (cm) | 12.5 |
|----------------------------|------|

SAFETY DATA

| | |
|----------------------|----|
| Special purpose lamp | No |
|----------------------|----|

| | |
|---------------------------|----|
| Dry applications use only | No |
|---------------------------|----|

| | |
|-------------------------------------|----|
| Suitable for household illumination | No |
|-------------------------------------|----|