



82 439 970 Product version from 4/1/2025



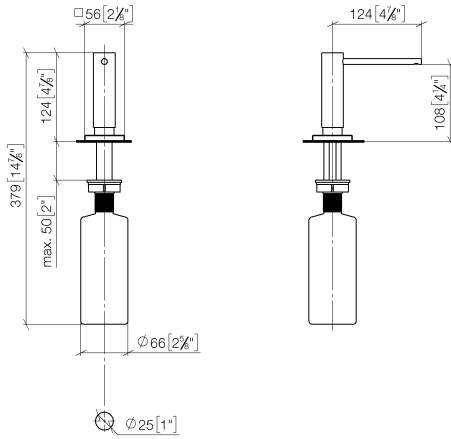
- 124mm projection
- 500 ml bottle
- can be filled from the top
- rotating pump head
- height 124 mm
- hole diameter 25 mm
- individual rosette 55 x 55 mm

Fits LOT

	Brushed Platinum	82 439 970-06
	Chrome	82 439 970-00
	Platinum	82 439 970-08
	Dark Chrome	82 439 970-19
	Brushed Durabronze (23kt Gold)	82 439 970-28
	Brushed Bronze (PVD)	82 439 970-42
	Brushed Champagne (22kt Gold)	82 439 970-46
	Champagne (22kt Gold)	82 439 970-47
	Brushed Dark Platinum	82 439 970-99

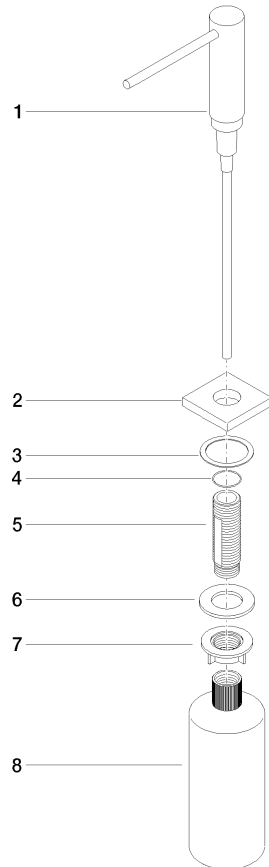
82 439 970 Product version from 4/1/2025

mm [inches]



82 439 970 Product version from 4/1/2025

Parts for other finishes can be found here: [Chrome](#)



Spare parts list

No.	Item Number	Name	Quantity used	Delivery time
7	08 10 10 517 90	Nut Shaft dispenser 45 x 45 x 15 mm -	1.00	14
8	90 10 10 603 00 90	Bottle for integrated dispenser 500ml -	1.00	14
4	09 14 10 151 90	O-Ring 23 x 1 mm -	1.00	14
5	08 10 10 527 90	Shaft Shaft M24x1.25 M24 x 1,25 x 99 mm -	1.00	14
2	08 27 97 505-06	Rosette 55 x 55 x 9 mm - Brushed Platinum	1.00	-
Spare part can no longer be ordered, please order the replacement item				
1	90 10 10 538 00-06	Dispenser Pump head, complete Installation variant with rosette - Brushed Platinum	1.00	20
3	08 10 10 624 90	Disc Ø 46,5 x 37 x 1 mm -	1.00	14
6	09 14 05 014 90	Washer NBR 70 48,0 x 27,0 x 3,0 mm -	1.00	14