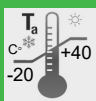


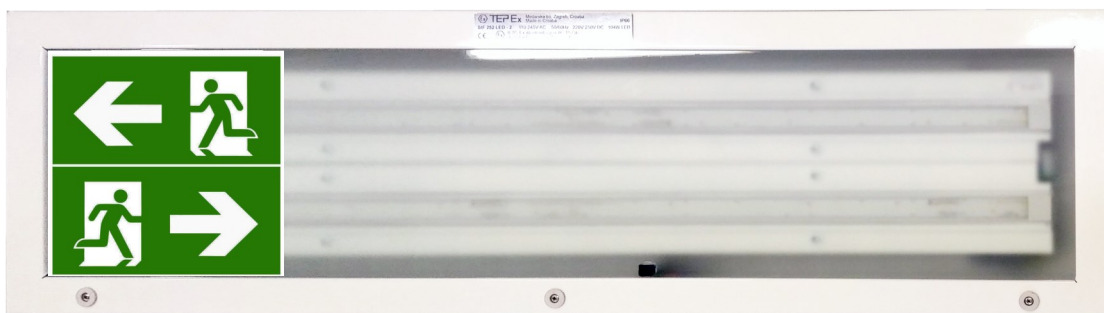
LED

IP 66



- Central locking with internal switch
- Through-wiring possible
- LED modules with innovative encapsulation
- Estimated service life up to 70 000 hours
- High color rendering index CRI 80
- With OVP, OCP, OTP protection
- Autonomous reactivation after recovery
- Color temperature 4300K (other on request)
- **Maintained** (Dauerschaltung)
- **Non maintained** (Bereitschaftschaltung)

SIF LED-E



CONSTRUCTION

Enclosure: Epoxy/polyester powder-coated sheet steel
 Diffuser: flat borosilicate glass with a high thermal and mechanical stability
 Gasket: EPDM formed gasket
 All-pole are disconnected via switch when glass cover is opened.
 The light fitting is normally supplied without light sources, two Ex eb cable glands M25, two Ex eb plug M25 and with two ring screw M8 (pendant version).

TECHNICAL DATA

Certificate:	FIDI 20 ATEX 0023
Marking:	CE 0722
Apparatus category:	II 2GD
Marking of explosion protection:	Ex db eb mb op is IIC T5 Gb Ex tb op is IIIC T80°C Db
Ambient temperature:	$-20^{\circ}\text{C} \leq T_a \leq +40^{\circ}\text{C}$
Degree of protection:	IP 66 category 1
Resistance to shock:	IK 08
Protection class :	I (protective earthing)
Operating voltage:	220-240V
Frequency:	50/60 Hz
Rated power:	See model code table
Estimated service life:	L70B10C10: $T_{\text{amb max}}$ 35 000 h $T_{\text{amb max } -10^{\circ}\text{C}}$ 60 000 h $T_{\text{amb max } -20^{\circ}\text{C}}$ 70 000 h
Connecting terminals:	L1, L2, L3, N, PE - max. 2,5 mm ²
Cable entry:	Two entries Ex eb M25x1,5 for cable diameters Ø7-15 mm, and two Ex eb plugs
Battery:	NiMh, 6V/10 Ah
Nominal autonomy:	3 h
Packing:	The packing contains: 1 pcs 1420x415x140 mm

MOUNTING

Pendant, wall, ceiling, recessed

Linear LED without and with LED diffuser

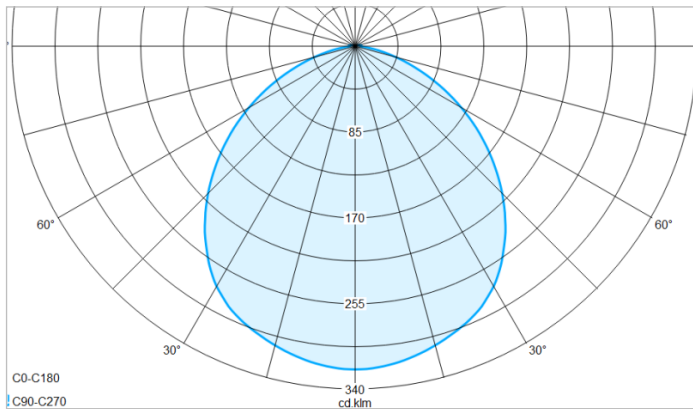


Emergency LED light fitting

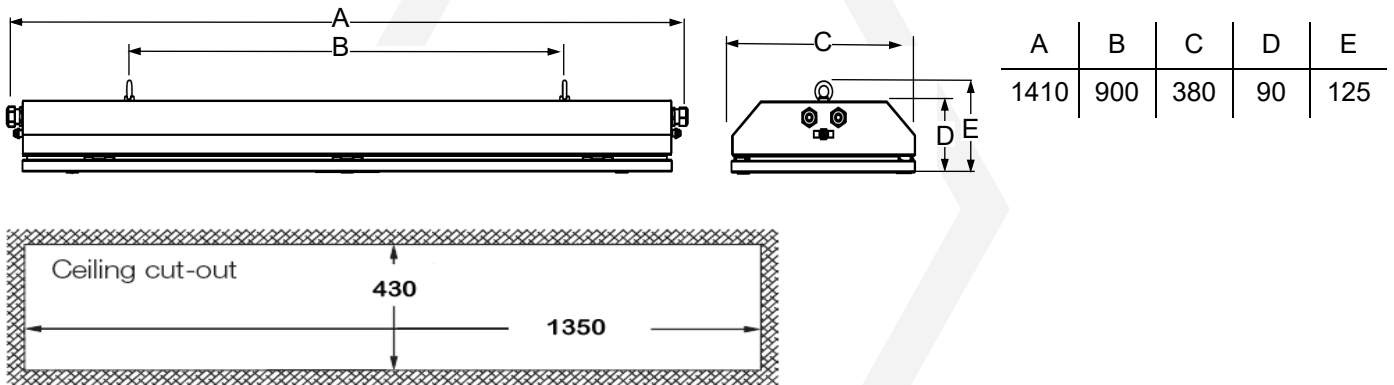
MODEL CODE

MODEL CODE	Power consumption [W]	Voltage [V]	Light fitting Luminous flux [lm]	System efficacy [lm/W]	3h autonomy Lum flux [lm]	WEIGHT
SIF 152 LED-E	56 W	220-240 VAC	7110 lm	~130	900 lm	22 kg
SIF 252 LED-E	108 W		14220 lm		900 lm	26 kg

POLAR CURVE



DIMENSION DRAWING (mm)



SPARE PARTS AND ACCESSORIES

SKETCH	DESCRIPTION	CODE	SKETCH	DESCRIPTION	CODE
	Glass cover SIF	SIF 10-140		Wall mounting set	SIF 20-160
	Gasket SIF	SIF 10-130		Recessed mounting set	SIF 20-150
	Internal reflector with LED module	SIF LED 52 20-140		Pipe mounting set	SIF 20-170
	LED EM driver	DRIVEx 02		Ceiling mounting set	SIF 20-140
	LED difuzor	SIF LED 30-180		Wall mounting set At the angle	SIF 20-180

All technical data is relevant at the time of print.