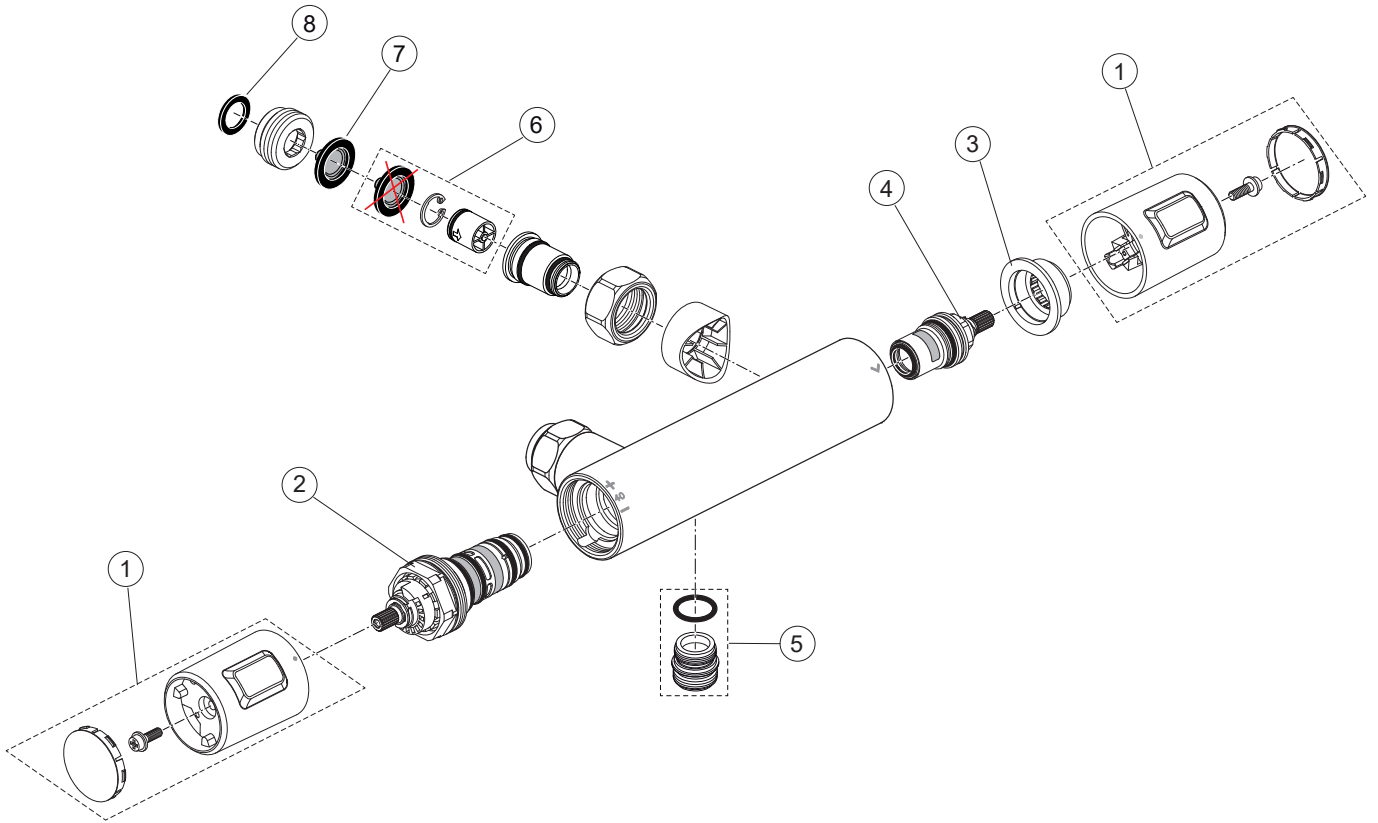
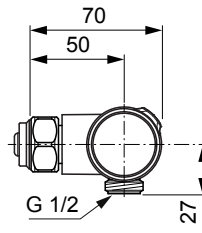
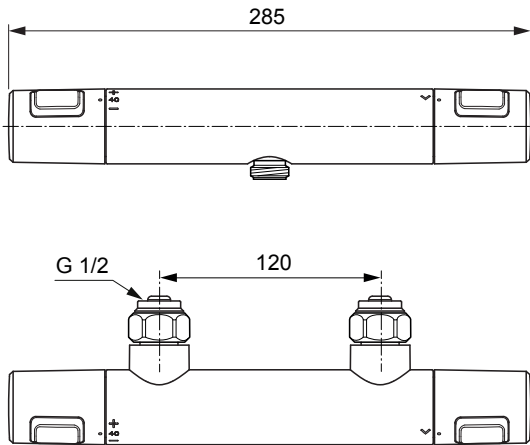


Produced from: Jan. 2021

Shower Thermostat  
chrome **A4502AA**

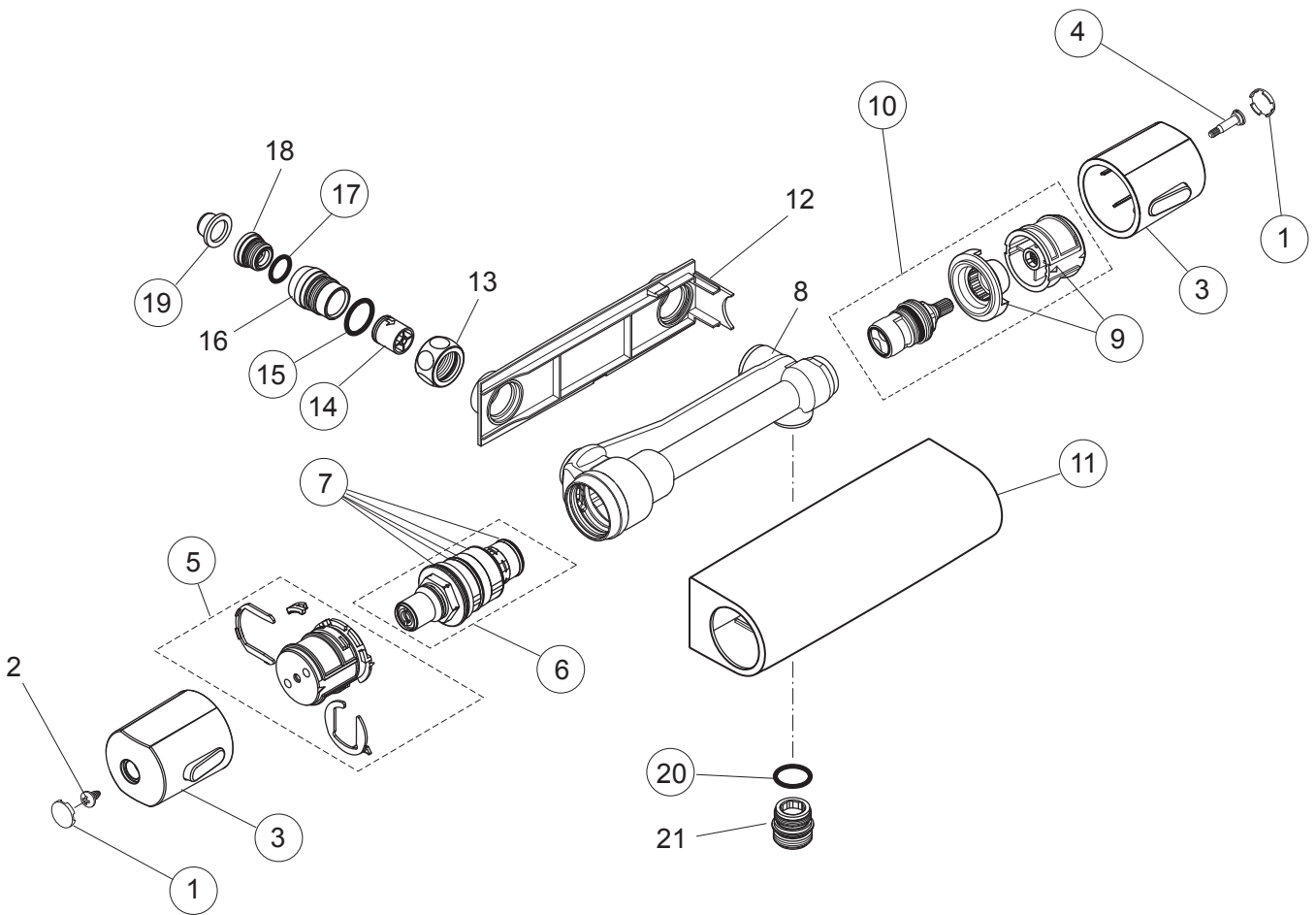
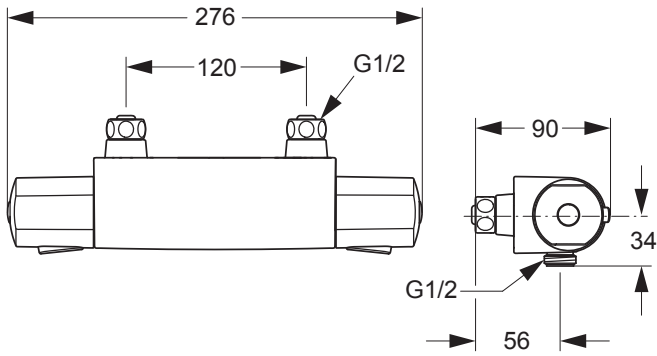


Pos.	Description	Part-Number	Qty.	Pos.	Description	Part-Number	Qty.
1	Handle cpl.	<b>A 861 370 AA</b>	1 Set				
2	Thermostatic Cartridge cpl.	<b>A 861 371 NU</b>	1 pcs				
3	Stopping	<b>A 861 373 NU</b>	1 pcs				
4	Cartridge G1/2 180° cpl.	<b>A 861 245 NU*</b>	1 Set				
5	Nipple G1/2 outside cpl.	<b>A 861 374 NU</b>	1 Set				
6	Non-return valve	<b>A 861 372 NU</b>	1 Set				
7	Fibre ring	<b>A 961 892 NU</b>	2 pcs				
8	Fibre ring	<b>A 963 365 NU</b>	1 pcs				

\*Universal set (not all parts needed)

Produced from: April 2008 - Dec. 2020

Shower Thermostat  
chrome **A4502AA**



Pos.	Description	Part-Number	Qty.	Pos.	Description	Part-Number	Qty.
1	Cap for handle	<b>A 962 221 NU</b>	1 Set	13	Coupling nut G1/2 - SW24		
2	Screw Ejot PT KB50x10			14	Non-return valve DW15	<b>A 962 594 NU</b>	2 pcs
3	Handle for Temp. + Volume	<b>A 962 222 AA</b>	1 pcs	15	O - ring Ø 17 x 2	<b>A 961 810 NU</b>	2 pcs
4	Screw M4 L=23,5	<b>A 962 998 NU</b>	2 pcs	16	Seat connector M20x1 outside - M15x1,5 inside left thr.		
5	Temp. adjustment compl.	<b>A 963 427 NU</b>	1 Set	17	O - ring Ø 12,42 x 1,78	<b>A 962 332 NU</b>	2 pcs
6	Thermostatic Cartridge	<b>F 961 044 NU</b>	1 pcs	18	Seat M15 x 1,5 left thread		
7	Repair-Set Cartridge	<b>A 962 230 NU</b>	1 Set	19	Strainer ( screen )	<b>A 963 365 NU</b>	1 pcs
8	Body for Bath/shower & Shower			20	O - ring Ø 17 x 2	<b>A 961 810 NU</b>	2 pcs
9	Handle insert + stopring	<b>A 963 432 NU</b>	1 Set	21	Nipple M20x1 - G1/2 outside		
10	Cartridge	<b>A 861 245 NU</b>	1 pcs				
11	Cover for Shower 120mm	<b>A 962 224 AA</b>	1 pcs				
12	Back plate ( frame						