

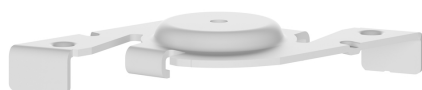
Concord

LYTESPAN H-TRACK FIXING CLAMP WHITE S-9000/115-W-H 2070355



Features

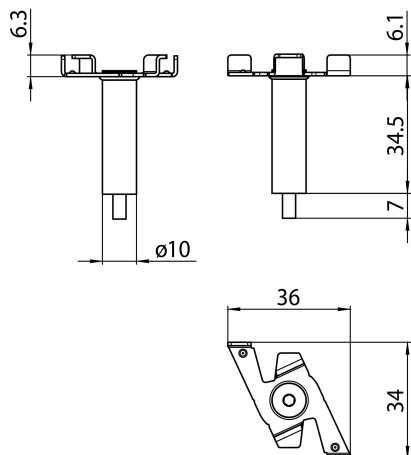
- Lytespan H-Track accessory. H-Track fast fixing clamp. White bracket in painted steel. Compatible with Lytespan H-Track only.



Product Overview

Product name	LYTESPAN H-TRACK FIXING CLAMP WHITE S-9000/115-W-H
Technology	Accessory
Housing	Steel
Mount	Suspended, Wall surface mounted
General application	Hospitality, Museums & Galleries, Office
ETIM Class	EC002557
Housing colour	White
Product EAN number	5025768703555
Warranty	5 years

Technical drawings



Data table

GENERAL DATA

Product name	LYTESPAN H-TRACK FIXING CLAMP WHITE S-9000/115-W-H
Technology	Accessory
Accessory type	Mounting
Type of accessory	Fixing clamp / bracket
Housing	Steel
Mount	Suspended, Wall surface mounted
General application	Hospitality, Museums & Galleries, Office
ETIM Class	EC002557
Warranty	5 years

Concord

LYTESPAN H-TRACK FIXING CLAMP WHITE S-9000/115-W-H 2070355

ELECTRICAL DATA

Control gear required	No
-----------------------	----

PHYSICAL DATA

Housing colour	White
----------------	-------

Nominal Product Length (mm)	36
-----------------------------	----

Nominal Product Width (mm)	34
----------------------------	----

Nominal Product Height (mm)	47.1
-----------------------------	------

Weight (kg)	0.5
-------------	-----

PACKAGING

Product EAN number	5025768703555
--------------------	---------------

Packaging single length / height (cm)	16.0
---------------------------------------	------

Packaging single width (cm)	16.0
-----------------------------	------

Packaging single depth (cm)	4.0
-----------------------------	-----

DUN14 (outer)	05025768703555
---------------	----------------

Units per outer package	1
-------------------------	---

Packaging outer length / height (cm)	16.0
--------------------------------------	------

Packaging outer width (cm)	16.0
----------------------------	------

Packaging outer depth (cm)	4.0
----------------------------	-----

SAFETY DATA

Special purpose lamp	No
----------------------	----

Dry applications use only	No
---------------------------	----

Suitable for household illumination	No
-------------------------------------	----