

Concord

LYTESPAN H-TRACK CLAMP+GRIPPER BL S-9000/114-T-B-H 2070354



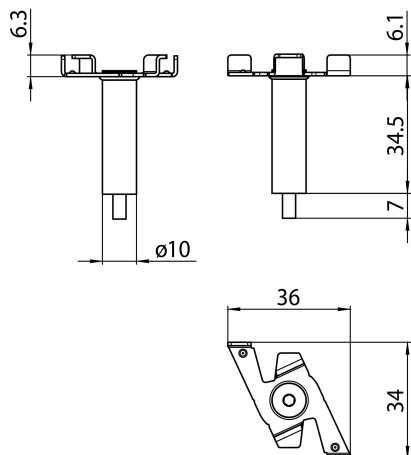
Features

- Lytespan H-Track accessory. H-Track fast fixing clamp with gripper. Black bracket in painted steel, gripper in nichel plated steel. To be combined with a suspension cable. Compatible with Lytespan H-Track only.

Product Overview

Product name	LYTESPAN H-TRACK CLAMP+GRIPPER BL S-9000/114-T-B-H
Technology	Accessory
Housing	Steel
Mount	Suspended
General application	Museums & Galleries, Office, Hospitality
ETIM Class	EC002557
Housing colour	Black
Product EAN number	5025768703548
Warranty	5 years

Technical drawings



Data table

GENERAL DATA

Product name	LYTESPAN H-TRACK CLAMP+GRIPPER BL S-9000/114-T-B-H
Technology	Accessory
Accessory type	Mounting
Type of accessory	Pendant bracket
Housing	Steel
Mount	Suspended
General application	Museums & Galleries, Office, Hospitality
ETIM Class	EC002557
Warranty	5 years

Concord

LYTESPAN H-TRACK CLAMP+GRIPPER BL S-9000/114-T-B-H 2070354

ELECTRICAL DATA

Control gear required	No
-----------------------	----

PHYSICAL DATA

Housing colour	Black
----------------	-------

Nominal Product Length (mm)	36
-----------------------------	----

Nominal Product Width (mm)	34
----------------------------	----

Nominal Product Height (mm)	47.1
-----------------------------	------

Weight (kg)	0.5
-------------	-----

PACKAGING

Product EAN number	5025768703548
--------------------	---------------

Packaging single length / height (cm)	16.0
---------------------------------------	------

Packaging single width (cm)	16.0
-----------------------------	------

Packaging single depth (cm)	4.0
-----------------------------	-----

DUN14 (outer)	05025768703548
---------------	----------------

Units per outer package	1
-------------------------	---

Packaging outer length / height (cm)	16.0
--------------------------------------	------

Packaging outer width (cm)	16.0
----------------------------	------

Packaging outer depth (cm)	4.0
----------------------------	-----

SAFETY DATA

Special purpose lamp	No
----------------------	----

Dry applications use only	No
---------------------------	----

Suitable for household illumination	No
-------------------------------------	----