

# Concord

## LYTESPAN H-TRACK CLAMP+GRIPPER WH S-9000/114-T-W-H 2070353



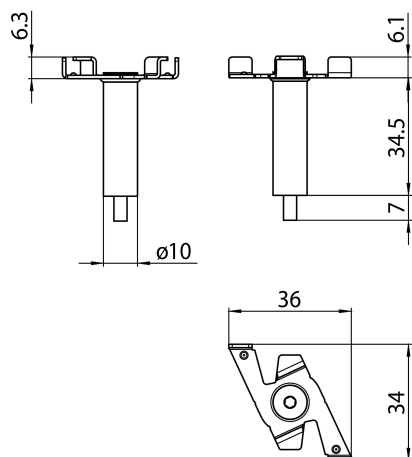
### Features

- Lytespan H-Track accessory. H-Track fast fixing clamp with gripper. White bracket in painted steel, gripper in nichel plated steel. To be combined with a suspension cable. Compatible with Lytespan H-Track only.

### Product Overview

<b>Product name</b>	LYTESPAN H-TRACK CLAMP+GRIPPER WH S-9000/114-T-W-H
<b>Technology</b>	Accessory
<b>Housing</b>	Steel
<b>Mount</b>	Suspended
<b>General application</b>	Museums & Galleries, Office, Hospitality
<b>ETIM Class</b>	EC002557
<b>Housing colour</b>	White
<b>Product EAN number</b>	5025768703531
<b>Warranty</b>	5 years

### Technical drawings



### Data table

#### GENERAL DATA

<b>Product name</b>	LYTESPAN H-TRACK CLAMP+GRIPPER WH S-9000/114-T-W-H
<b>Technology</b>	Accessory
<b>Accessory type</b>	Mounting
<b>Type of accessory</b>	Pendant bracket
<b>Housing</b>	Steel
<b>Mount</b>	Suspended
<b>General application</b>	Museums & Galleries, Office, Hospitality
<b>ETIM Class</b>	EC002557
<b>Warranty</b>	5 years

# Concord

## LYTESPAN H-TRACK CLAMP+GRIPPER WH S-9000/114-T-W-H 2070353

### ELECTRICAL DATA

Control gear required	No
-----------------------	----

### PHYSICAL DATA

Housing colour	White
----------------	-------

Nominal Product Length (mm)	36
-----------------------------	----

Nominal Product Width (mm)	34
----------------------------	----

Nominal Product Height (mm)	47.1
-----------------------------	------

Weight (kg)	0.5
-------------	-----

### PACKAGING

Product EAN number	5025768703531
--------------------	---------------

Packaging single length / height (cm)	16.0
---------------------------------------	------

Packaging single width (cm)	16.0
-----------------------------	------

Packaging single depth (cm)	4.0
-----------------------------	-----

DUN14 (outer)	05025768703531
---------------	----------------

Units per outer package	1
-------------------------	---

Packaging outer length / height (cm)	16.0
--------------------------------------	------

Packaging outer width (cm)	16.0
----------------------------	------

Packaging outer depth (cm)	4.0
----------------------------	-----

### SAFETY DATA

Special purpose lamp	No
----------------------	----

Dry applications use only	No
---------------------------	----

Suitable for household illumination	No
-------------------------------------	----