

Concord

LYTESPN ROUND SET8 SUSPENSION SET WHT S-9000-P7-W2 2070349



Features

- Lytespan Round Track suspension set including: 1 x white bracket with automatic gripper for suspension cable, 2 x grooved pins for junction. SET8. Compatible with Lytespan Round Track only.



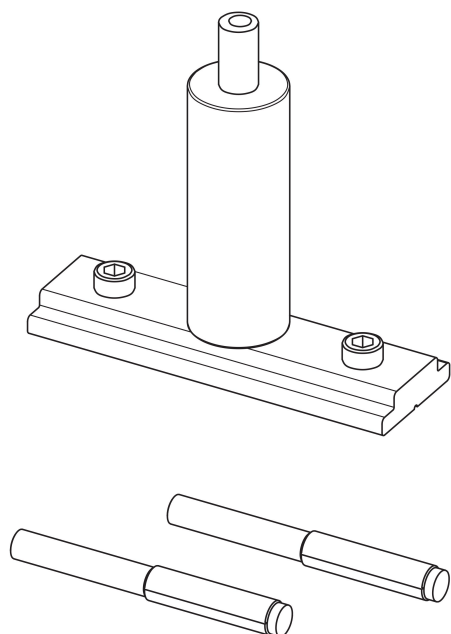
Product Overview

Product name	LYTESPN ROUND SET8 SUSPENSION SET WHT S-9000-P7-W2
Technology	Accessory
Housing	Metal/plastic
Mount	Suspended
General application	Hospitality, Museums & Galleries, Office
ETIM Class	EC002557
Housing colour	White
Product EAN number	5025768703494
Warranty	5 years

Concord

LYTESPN ROUND SET8 SUSPENSION SET WHT S-9000-P7-W2
2070349

Technical drawings



Data table

GENERAL DATA

Product name	LYTESPN ROUND SET8 SUSPENSION SET WHT S-9000-P7-W2
Technology	Accessory
Accessory type	Mounting
Type of accessory	Installation set
Housing	Metal/plastic
Mount	Suspended
General application	Hospitality, Museums & Galleries, Office
ETIM Class	EC002557
Warranty	5 years

Concord

LYTESPN ROUND SET8 SUSPENSION SET WHT S-9000-P7-W2 2070349

ELECTRICAL DATA

Control gear required	No
-----------------------	----

PHYSICAL DATA

Housing colour	White
----------------	-------

Weight (kg)	0.5
-------------	-----

PACKAGING

Product EAN number	5025768703494
--------------------	---------------

Packaging single length / height (cm)	16.0
---------------------------------------	------

Packaging single width (cm)	16.0
-----------------------------	------

Packaging single depth (cm)	4.0
-----------------------------	-----

DUN14 (outer)	05025768703494
---------------	----------------

Units per outer package	1
-------------------------	---

Packaging outer length / height (cm)	16.0
--------------------------------------	------

Packaging outer width (cm)	16.0
----------------------------	------

Packaging outer depth (cm)	4.0
----------------------------	-----

SAFETY DATA

Special purpose lamp	No
----------------------	----

Dry applications use only	No
---------------------------	----

Suitable for household illumination	No
-------------------------------------	----