



Features

• START SPOT IP65 PIR 1050LM 3CCT BLK is a universal spotlight offering multiple PIR sensor setting options and three adjustable colour temperature options (3 CCT 2700K-3000K-4000K) for easy customization to suit the need of the user. Black finish, fixed, 2 wattage switch on the driver (6W-10W) as standard with 670lm & 1050lm , 50° degree beam angle, low profile 31.7mm recessed depth, IP65 from the front, IK03, loop-in/loop-out terminals for fast wiring, 86mm bezel diameter, 68mm cutout. Additional white or black non PIR bezel can be ordered as accessory.

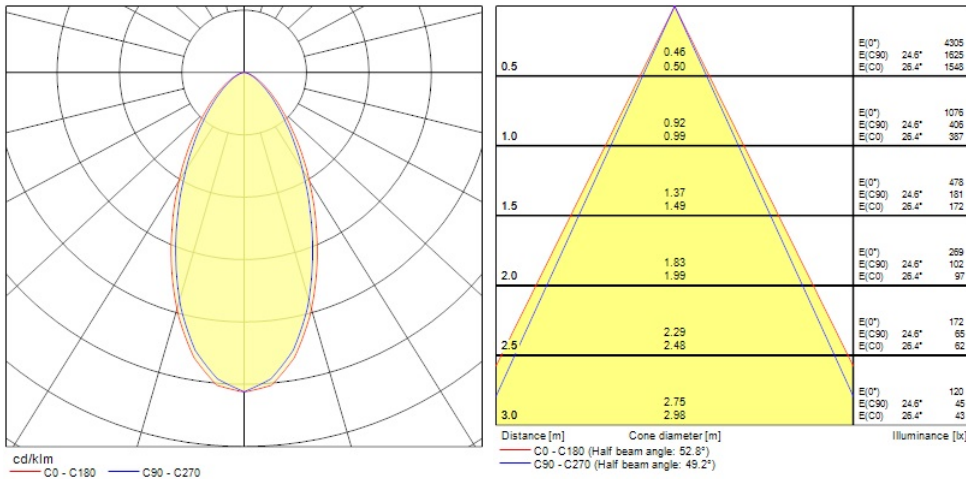
Product Overview

Product name	START SPOT PIR IP65 1050LM 3CCT BLK
Technology	LED
Cap/Base	N/A
Housing	Aluminium
Mount	Ceiling recessed mounting
General application	Residential & Consumer, Retail
ETIM Class	EC001744
Fixture luminous flux (lm)	1050
Light colour	Warm White or Neutral White
CRI (Ra)	80
Colour Variation Initial (SDCM)	6
Beam Angle (°)	50
Photobiological Risk Group	RG1
Total power consumption (W)	10
Electrical protection	Class II
Control gear type	LED driver constant current
Dimmable	No

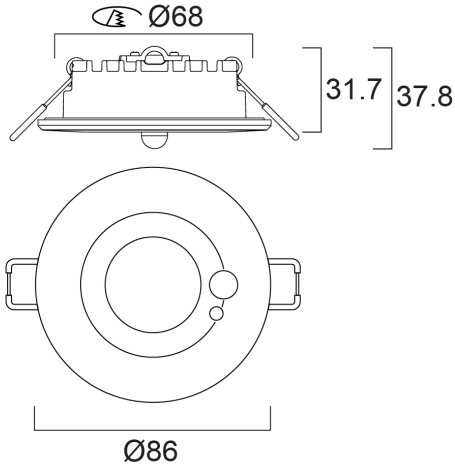
START SPOT PIR IP65 1050LM 3CCT BLK 0005192

LED Flickering Rate	Ultra low (5% or less)
Housing colour	RAL9004
IP rating	IP65/20
IK rating	IK03
Product EAN number	5410288051925
Warranty	5 years
Dimming method	N/A
Useful luminous flux (#use)	1050

Photometry



Technical drawings



Data table

GENERAL DATA

Product name	START SPOT PIR IP65 1050LM 3CCT BLK
Technology	LED
Cap/Base	N/A
Housing	Aluminium
Mount	Ceiling recessed mounting
General application	Residential & Consumer, Retail
Operating temperature range (°C)	-20°C...+35°C
ETIM Class	EC001744
Warranty	5 years

OPTICAL DATA

Useful luminous flux (#use)	1050
Fixture luminous flux (lm)	1050
Light colour	Warm White or Neutral White
CRI (Ra)	80
Colour Variation Initial (SDCM)	6

START SPOT PIR IP65 1050LM 3CCT BLK 0005192

Beam Angle (°)	50
Distribution type	Symmetric
Photobiological Risk Group	RG1

ELECTRICAL DATA

Total power consumption (W)	10
Current (A)	0.043
Primary Supply/Product voltage - min (V)	220.0
Primary Supply/Product voltage - max (V)	240.0
Lamp power factor	0.85
THD (at 230 V, 50 Hz, full load, at 100% dimming level) \leq xx.x %	50
Electrical protection	Class II
Control gear required	No
Control gear type	LED driver constant current
Dimmable	No
Dimming method	N/A
Drive current (mA)	430
Inrush Current (A)	2
Inrush Duration (μ s)	200
Glow Wire Test (°C)	650
Energy Efficiency Class (A->G) of contained light source	D
Nominal Frequency (Hz)	50/60Hz
LED Flickering Rate	Ultra low (5% or less)
Max. products per 10A C Breaker	80
Max. products per 13A C Breaker	104
Max. products per 16A C Breaker	128
Max. products per 20A C Breaker	160
Max. products per 10A B Breaker	49
Max. products per 13A B Breaker	64
Max. products per 16A B Breaker	79
Max. products per 20A B Breaker	99

LIFETIME DATA

START SPOT PIR IP65 1050LM 3CCT BLK 0005192

Lifespan L70 B50	90000
Lifespan L80 B20	71000
Lifespan L90 B10	32000

PHYSICAL DATA

Housing colour	RAL9004
IP rating	IP65/20
IK rating	IK03
Diffuser finish	Diffuse
Diffuser material	PC Polycarbonate
Reflector finish	None
Nominal Product Height (mm)	32
Nominal Product Diameter (mm)	86
Weight (kg)	0.237

PACKAGING

Product EAN number	5410288051925
Packaging single length / height (cm)	9.0
Packaging single width (cm)	6.5
Packaging single depth (cm)	13.0
DUN14 (inner)	15410288051922
Units per outer package	40
Packaging outer length / height (cm)	38.0
Packaging outer width (cm)	34.0
Packaging outer depth (cm)	29.0

SAFETY DATA

Optimal operating condition (°C)	-20-35
Special purpose lamp	No
Dry applications use only	No
Suitable for household illumination	No