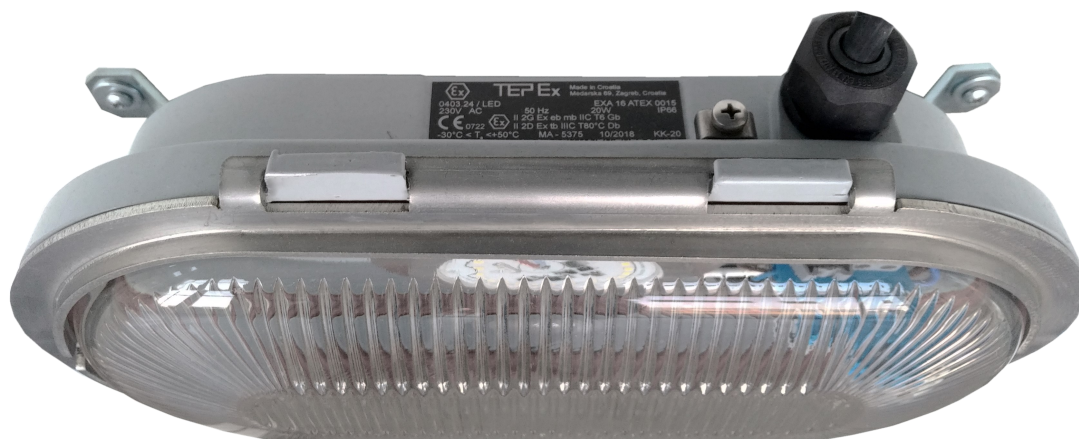


LED

IP 66



0403.24 LED



- Robust light alloy enclosure weighs only 4 kg
- Allowing the user to mount in areas where the available space is restricted
- Estimated service life 70 000 hours
- 6000K, CRI 80

CONSTRUCTION

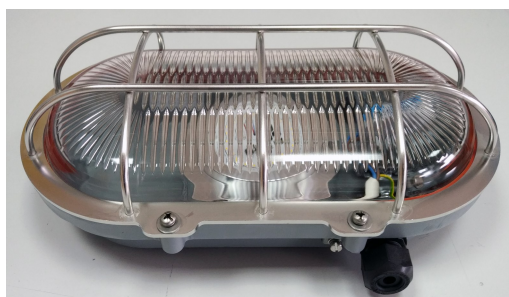
Enclosure: aluminum powder painted casting
 Diffuser: borosilicate glass, silicone gasket
 Protected grid: AISI 316
 Standard version without protective grid

TECHNICAL DATA

Certificate:	FIDI 19 ATEX 0059
Marking:	CE 0722
Apparatus category:	II 2G II 2D
Marking of explosion protection:	Ex eb mb op is IIC T6 Gb Ex tb op is IIIC T80°C Db
Ambient temperature:	-30°C ≤ T _a ≤ +50°C
Degree of protection:	IP 66 category 1
Resistance to shock:	IK 08
Protection class :	I (protective earthing)
Rated voltage:	24 VAC/DC, 48-96 VAC/DC, 110-240 VAC/DC
Frequency:	50/60 Hz
Rated power:	17 W
Connecting terminals:	terminals L+N+PE , 2 x 4 mm ²
Cable entry:	2x M25 (1x M25 Exe cable gland, 1x Exe M25 plug)
Weight:	4 kg
Packing:	The packing contains: 1 pcs 360x240x205 mm

MOUNTING

Two brackets with two screws M6



Bulkhead LED light fitting

MODEL CODE

MODEL CODE / glass	Power consumption [W]	Light fitting Luminous flux [lm]	System efficacy [lm/W]
0403.24 LED . -1 / transparent	17 W	2450	122
0403.24 LED . -2 / green		1200	65
0403.24 LED . -3 / red			

MODEL CODE

0403.24 LED

· - ·

Basic type code

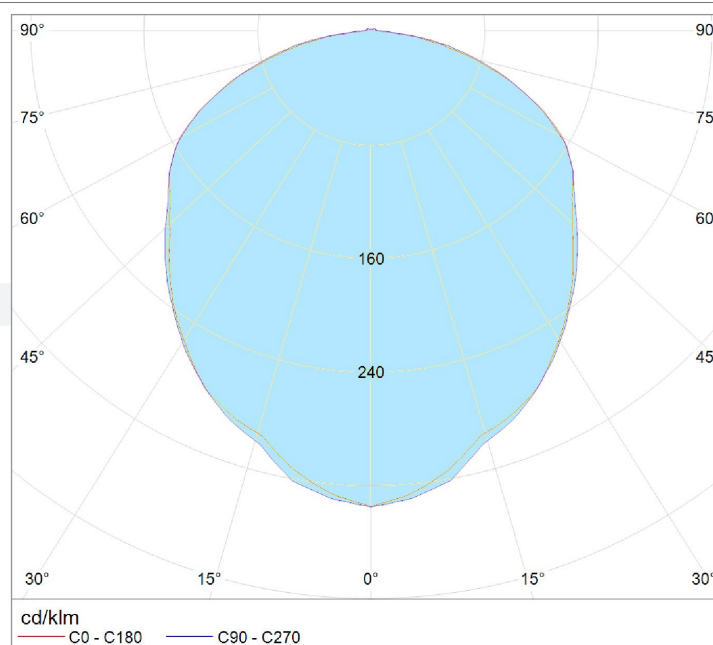
Rated voltage

- 1 – 24 VAC/DC
- 2 – 48-96 VAC/DC,
- 3 – 110-240 VAC/DC

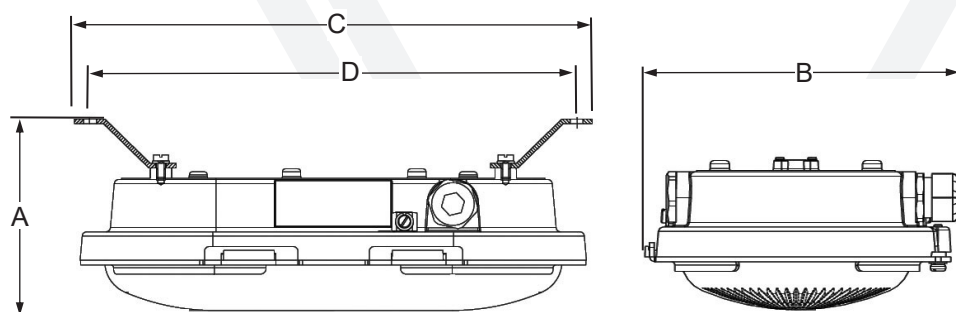
Glass:

- 1 – transparent
- 2 – green
- 3 – red

POLAR CURVE



DIMENSION DRAWING (all dimensions in mm)



A	B	C	D
125	192	350	319

SPARE PARTS AND ACCESSORIES

SKETCH	DESCRIPTION	CODE	SKETCH	DESCRIPTION	CODE
	LEDEX 01 17W modul	0403.24 LED 10-110		Ex e cable gland M25	SPU 25
	Gasket 0403.24 LED	0403.24 LED 10-120		Ex e plug M25	SPC 25
	Glass cover	0403.24 LED 10-130		Wall bracket	0403.24 LED 10-160
	Protective grid	0403.24 LED 20-120		Pipe bracket R2"	0403.24 LED 10-170