

Data Sheet | Item Number: 272-134/203-000

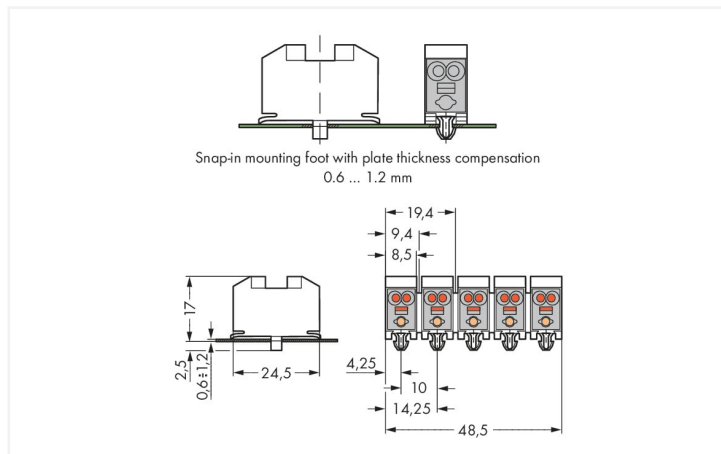
Power supply connector; without push-buttons; with snap-in mounting feet; without ground contact; 4-pole; 2,50 mm²; white

<https://www.wago.com/272-134/203-000>



Color: ■ white

Similar to illustration



Dimensions in mm

Electrical data

| Ratings per | IEC/EN 60664-1 | | |
|----------------------|----------------|-------|----|
| Overvoltage category | III | III | II |
| Pollution degree | 3 | 2 | 2 |
| Nominal voltage | - | 400 V | - |
| Rated surge voltage | - | 4 kV | - |
| Rated current | - | 18 A | - |

Connection data

| | |
|----------------------------|----|
| Clamping units | 16 |
| Total number of potentials | 4 |
| Number of connection types | 1 |

Connection 1

| | |
|-----------------------|-----------------------------------|
| Connection technology | PUSH WIRE® |
| Strip length | 8 ... 9 mm / 0.31 ... 0.35 inches |
| Pole number | 4 |

Physical data

| | |
|--------|------------------------|
| Width | 38.5 mm / 1.516 inches |
| Height | 19.5 mm / 0.767 inches |
| Depth | 24.5 mm / 0.965 inches |

Material data

Note (material data)

[Information on material specifications can be found here](#)

| | |
|------------------------------------|------------------|
| Color | white |
| Material group | I |
| Insulation material (main housing) | Polyamide (PA66) |
| Flammability class per UL94 | V0 |
| Fire load | 0.303 MJ |
| Weight | 13.7 g |

| Commercial data | |
|-----------------------|--------------------------------|
| Product Group | 8 (Misc. Chassis Mount Blocks) |
| eCl@ss 10.0 | 27-14-11-04 |
| eCl@ss 9.0 | 27-14-11-04 |
| ETIM 8.0 | EC000446 |
| ETIM 7.0 | EC000446 |
| PU (SPU) | 500 pcs |
| Packaging type | Bag |
| Country of origin | DE |
| GTIN | 4044918430098 |
| Customs tariff number | 85369010000 |

| Environmental Product Compliance | |
|----------------------------------|-------------------------|
| RoHS Compliance Status | Compliant, No Exemption |

Approvals / Certificates

General approvals



| Approval | Standard | Certificate Name |
|---------------------------------|---------------|------------------|
| CSA DEKRA Certification B.V. | C22.2 No. 158 | 70048844 |

Downloads

Environmental Product Compliance

| Compliance Search | |
|-----------------------------------------------------|-------------------|
| Environmental Product Compliance 272-134/203-000 | ↓ |

Documentation

| Additional Information | | | |
|------------------------|------------|-------------------|-------------------|
| Technical Section | 03.04.2019 | pdf 2027.26 KB | ↓ |

1 Compatible Products

1.1 Optional Accessories

1.1.1 Tool

1.1.1.1 Assembly tool



Item No.: 249-100

Operating tool; for terminal blocks with snap-in ground contact

1.1.1.2 Operating tool



Item No.: 271-120

Push-button; white