

Concord

LYTESPAN ROUND T-FEED IN-RIGHT WHT 9016-ST15/W 2070335



Features

- Lytespan Round Track accessory, T-feed connector in-right, polarity ridge is in the inner side. Polycarbonate body, copper alloy contacts. White. Please check the polarity diagram on selling sheet.

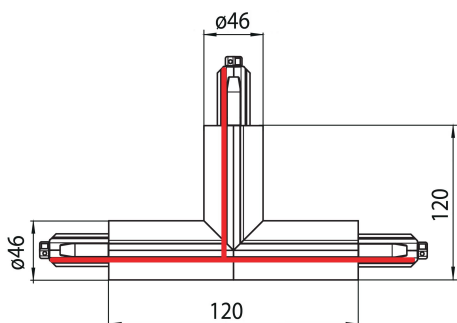
Product Overview

Product name	LYTESPAN ROUND T-FEED IN-RIGHT WHT 9016-ST15/W
Technology	Accessory
Housing	Aluminium, PC Polycarbonate
Mount	Track mounting
General application	Museums & Galleries, Office, Hospitality
ETIM Class	EC002556
Housing colour	White
Product EAN number	5025768703357
Warranty	5 years

Concord

LYTESPAN ROUND T-FEED IN-RIGHT WHT 9016-ST15/W
2070335

Technical drawings



Data table

GENERAL DATA

Product name	LYTESPAN ROUND T-FEED IN-RIGHT WHT 9016-ST15/W
Technology	Accessory
Accessory type	Electrical
Type of accessory	Coupler/connector T-shape
Housing	Aluminium, PC Polycarbonate
Mount	Track mounting
General application	Museums & Galleries, Office, Hospitality
ETIM Class	EC002556

Concord

LYTESPAN ROUND T-FEED IN-RIGHT WHT 9016-ST15/W 2070335

Warranty	5 years
----------	---------

ELECTRICAL DATA

Primary Supply/Product voltage - min (V)	220
Primary Supply/Product voltage - max (V)	240
Control gear required	No
Connectable conductor cross section - Max (mm ²)	2.5

PHYSICAL DATA

Housing colour	White
Nominal Product Length (mm)	148
Nominal Product Width (mm)	89.7
Weight (kg)	1.2

PACKAGING

Product EAN number	5025768703357
Packaging single length / height (cm)	30.0
Packaging single width (cm)	30.0
Packaging single depth (cm)	12.0
DUN14 (outer)	05025768703357
Units per outer package	1
Packaging outer length / height (cm)	30.0
Packaging outer width (cm)	30.0
Packaging outer depth (cm)	12.0

SAFETY DATA

Special purpose lamp	No
Dry applications use only	No
Suitable for household illumination	No