



### Features

- Lytespan Round Track accessory, T-feed connector in-left, polarity ridge is in the inner side. Polycarbonate body, copper alloy contacts. Black. Please check the polarity diagram on selling sheet.

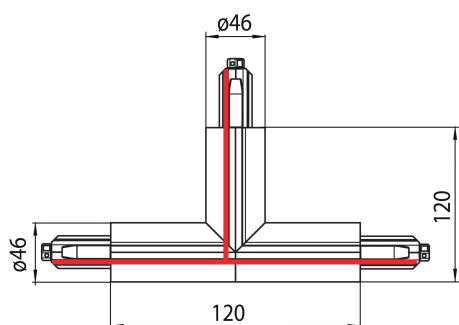
### Product Overview

Product name	LYTESPAN ROUND T-FEED IN-LEFT BLK 9015-ST15/B
Technology	Accessory
Housing	Aluminium, PC Polycarbonate
Mount	Track mounting
General application	Museums & Galleries, Office, Hospitality
ETIM Class	EC002556
Housing colour	Black
Product EAN number	5025768703340
Warranty	5 years

# Concord

LYTESPAN ROUND T-FEED IN-LEFT BLK 9015-ST15/B  
2070334

## Technical drawings



## Data table

### GENERAL DATA

<b>Product name</b>	LYTESPAN ROUND T-FEED IN-LEFT BLK 9015-ST15/B
<b>Technology</b>	Accessory
<b>Accessory type</b>	Electrical
<b>Type of accessory</b>	Coupler/connector T-shape
<b>Housing</b>	Aluminium, PC Polycarbonate
<b>Mount</b>	Track mounting
<b>General application</b>	Museums & Galleries, Office, Hospitality
<b>ETIM Class</b>	EC002556

# Concord

## LYTESPAN ROUND T-FEED IN-LEFT BLK 9015-ST15/B 2070334

Warranty	5 years
----------	---------

### ELECTRICAL DATA

Primary Supply/Product voltage - min (V)	220
Primary Supply/Product voltage - max (V)	240
Control gear required	No
Connectable conductor cross section - Max (mm <sup>2</sup> )	2.5

### PHYSICAL DATA

Housing colour	Black
Nominal Product Length (mm)	148
Nominal Product Width (mm)	89.7
Weight (kg)	1.2

### PACKAGING

Product EAN number	5025768703340
Packaging single length / height (cm)	30.0
Packaging single width (cm)	30.0
Packaging single depth (cm)	12.0
DUN14 (outer)	05025768703340
Units per outer package	1
Packaging outer length / height (cm)	30.0
Packaging outer width (cm)	30.0
Packaging outer depth (cm)	12.0

### SAFETY DATA

Special purpose lamp	No
Dry applications use only	No
Suitable for household illumination	No