

PLFS-N 100 LED

LED

IP 66

IK08

 -40 $+50$

ATEX

EAC

- High color rendering index CRI 80
- Estimated service life 70 000 hours
- With OVP, OCP, OTP protection
- Autonomous reactivation after recovery
- CCT4000K / other CCT on request
- Frosted front glass on request

new
LED
more lm/W



CONSTRUCTION

Enclosure: aluminum powder painted casting
 Diffuser: borosilicate glass
 Accessories: protective galvanized steel grid, assembly kit for wall, pipe and ceiling mounting
 Gasket: silicon

TECHNICAL DATA

Certificate:	FIDI 19 ATEX 0031
Marking:	CE 0722
Apparatus category:	II 2G II 2D
Marking of explosion protection:	Ex db eb op is IIC T6 Gb Ex db eb op is IIB+H ₂ T6 Gb (version with breathing plug) Ex tb op is IIIC T85°C Db
Ambient temperature ATEX:	$-40^{\circ}\text{C} / -20^{\circ}\text{C} \leq T_a \leq +40 / +50^{\circ}\text{C}$
Degree of protection:	IP 66 category 1
Resistance to shock:	IK 08
Protection class :	I (protective earthing)
Rated voltage:	90 - 305 VAC 127 - 431 VDC
Frequency:	50 / 60 Hz
Rated power:	60 W, 80 W, 100 W
Connecting terminals:	L1, L2, L3, N; max. 2 x 2,5 mm ² PE terminal ; max 2x6mm ²
Cable entry:	Connection box [3L+N+Pe] and true wiring + ISO25metal plug 2x M25 (1x M25 Exd cable gland, 1x Exd M25 plug)
Weight:	9 kg
Packing:	The packing contains: 2 pcs 560 x 300 x 270 mm

MOUNTING

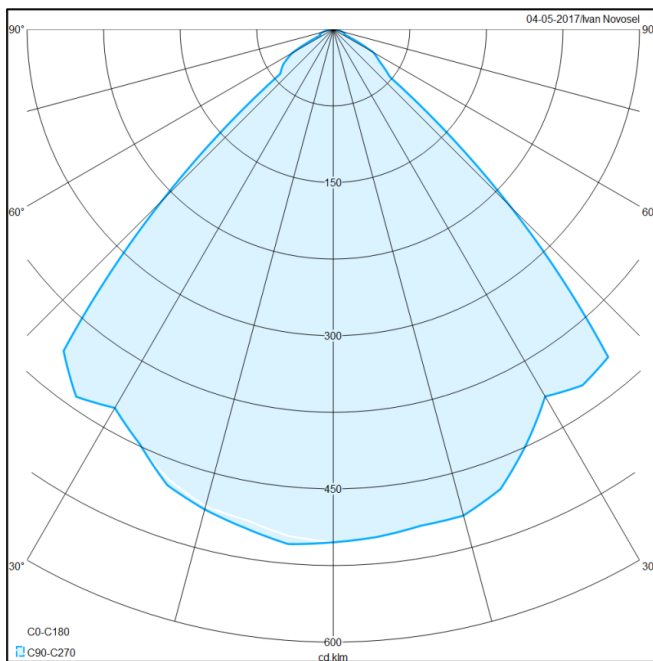
Pendant, on pipe, wall, ceiling

Floodlight LED light fitting

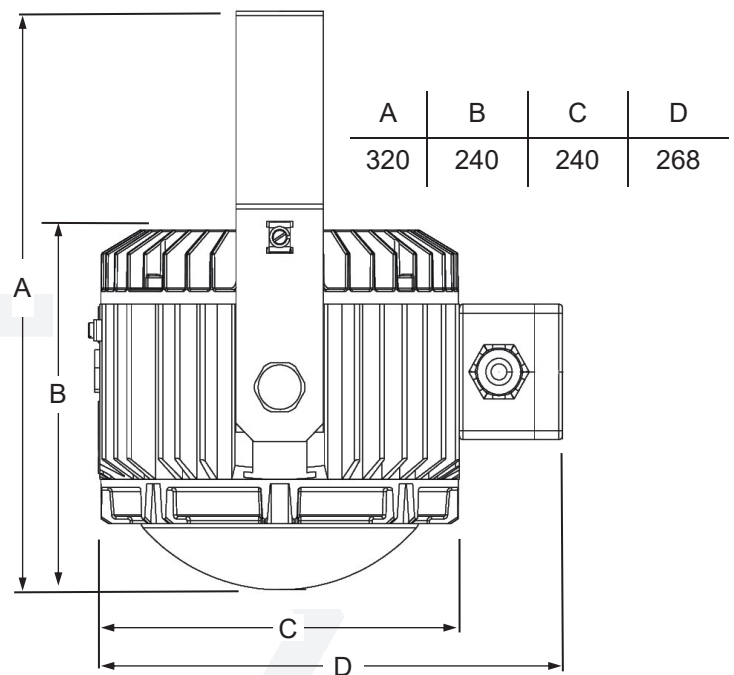
MODEL CODE

MODEL CODE	Power consumption [W]	Voltage [V]	Light fitting Luminous flux [lm]	System efficacy [lm/W]	AMBIENT TEMP.
PLFS-N 100 LED-2	60 W	90-305 V AC 127-431 V DC	7 620	127	-40°C ÷ +50°C
PLFS-N 100 LED-3	80 W		10 150		
PLFS-N 100 LED-4	100 W		12 690		-40°C ÷ +40°C

POLAR CURVE



DIMENSION DRAWING (mm)



MULTI FLOODLIGHTS SOLUTION

MODEL CODE	Power [W]	Light fitting Luminous flux [lm]	WEIGHT [kg]
PLFS-N 2100 LED	2x 80 W	20 300	32
PLFS-N 3100 LED	3x 80 W	30 450	39
PLFS-N 4100 LED	4x 80 W	40 600	48



SPARE PARTS AND ACCESSORIES

SKETCH	DESCRIPTION	CODE	SKETCH	DESCRIPTION	CODE
	Replacement glass PLFS-N LED	PLFS LED 10-110		PLFS-N fixing bracket for tube R 1 1/2"	PLFS 20-120
	LED Carrier assembly	PLFS LED 10-150		PLFS-N mounting bracket (ceiling and wall mounting)	PLFS 20-130
	Breathing plug	BP 01		LED Driver assembly	PLFS-N 100 LED 10-140

All technical data is relevant at the time of print.