

# Concord

## LYTESPAN ROUND T-FEED OUT-RIGHT BL 9014-ST15/B 2070332



### Features

- Lytespan Round Track accessory, T-feed connector out-right, polarity ridge is in the outer side. Polycarbonate body, copper alloy contacts. Black. Please check the polarity diagram on selling sheet.

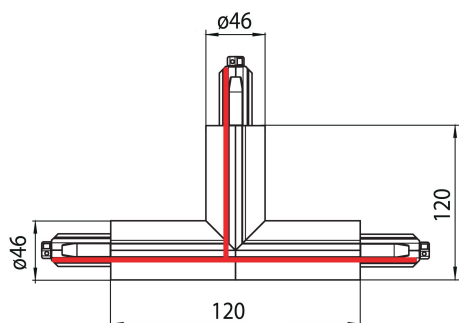
### Product Overview

|                     |  |
|---------------------|--|
| Product name        | LYTESPAN ROUND T-FEED OUT-RIGHT BL 9014-ST15/B |
| Technology          | Accessory                                      |
| Housing             | Aluminium, PC Polycarbonate                    |
| Mount               | Track mounting                                 |
| General application | Museums & Galleries, Office, Hospitality       |
| ETIM Class          | EC002556                                       |
| Housing colour      | Black  |
| Product EAN number  | 5025768703326                                  |
| Warranty            | 5 years  |

# Concord

## LYTESPAN ROUND T-FEED OUT-RIGHT BL 9014-ST15/B 2070332

### Technical drawings



### Data table

#### GENERAL DATA

|                            |  |
|----------------------------|--|
| <b>Product name</b>        | LYTESPAN ROUND T-FEED OUT-RIGHT BL 9014-ST15/B |
| <b>Technology</b>          | Accessory                                      |
| <b>Accessory type</b>      | Electrical                                     |
| <b>Type of accessory</b>   | Coupler/connector T-shape                      |
| <b>Housing</b>             | Aluminium, PC Polycarbonate                    |
| <b>Mount</b>               | Track mounting                                 |
| <b>General application</b> | Museums & Galleries, Office, Hospitality       |
| <b>ETIM Class</b>          | EC002556                                       |

# Concord

## LYTESPAN ROUND T-FEED OUT-RIGHT BL 9014-ST15/B 2070332

|          |         |
|----------|---------|
| Warranty | 5 years |
|----------|---------|

### ELECTRICAL DATA

|  |     |
|--|-----|
| Primary Supply/Product voltage - min (V)                     | 220 |
| Primary Supply/Product voltage - max (V)                     | 240 |
| Control gear required  | No  |
| Connectable conductor cross section - Max (mm <sup>2</sup> ) | 2.5 |

### PHYSICAL DATA

|                             |       |
|-----------------------------|-------|
| Housing colour              | Black |
| Nominal Product Length (mm) | 148   |
| Nominal Product Width (mm)  | 89.7  |
| Weight (kg)                 | 1.2   |

### PACKAGING

|                                       |                |
|---------------------------------------|----------------|
| Product EAN number                    | 5025768703326  |
| Packaging single length / height (cm) | 30.0           |
| Packaging single width (cm)           | 30.0           |
| Packaging single depth (cm)           | 12.0           |
| DUN14 (outer)                         | 05025768703326 |
| Units per outer package               | 1              |
| Packaging outer length / height (cm)  | 30.0           |
| Packaging outer width (cm)            | 30.0           |
| Packaging outer depth (cm)            | 12.0           |

### SAFETY DATA

|                                     |    |
|-------------------------------------|----|
| Special purpose lamp                | No |
| Dry applications use only           | No |
| Suitable for household illumination | No |