

Concord

LYTESPAN ROUND T-FEED OUT-LEFT BLK 9013-ST15/B
2070330



Features

- Lytespan Round Track accessory, T-feed connector out-left, polarity ridge is in the outer side. Polycarbonate body, copper alloy contacts. Black. Please check the polarity diagram on selling sheet.

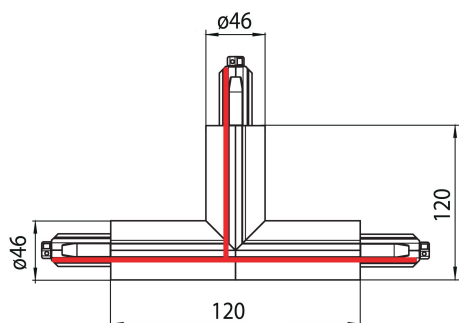
Product Overview

Product name	LYTESPAN ROUND T-FEED OUT-LEFT BLK 9013-ST15/B
Technology	Accessory
Housing	Aluminium, PC Polycarbonate
Mount	Track mounting
General application	Museums & Galleries, Office, Hospitality
ETIM Class	EC002556
Housing colour	Black
Product EAN number	5025768703302
Warranty	5 years

Concord

LYTESPAN ROUND T-FEED OUT-LEFT BLK 9013-ST15/B 2070330

Technical drawings



Data table

GENERAL DATA

Product name	LYTESPAN ROUND T-FEED OUT-LEFT BLK 9013-ST15/B
Technology	Accessory
Accessory type	Electrical
Type of accessory	Coupler/connector T-shape
Housing	Aluminium, PC Polycarbonate
Mount	Track mounting
General application	Museums & Galleries, Office, Hospitality
ETIM Class	EC002556

Concord

LYTESPAN ROUND T-FEED OUT-LEFT BLK 9013-ST15/B 2070330

Warranty	5 years
----------	---------

ELECTRICAL DATA

Primary Supply/Product voltage - min (V)	220
Primary Supply/Product voltage - max (V)	240
Control gear required	No
Connectable conductor cross section - Max (mm ²)	2.5

PHYSICAL DATA

Housing colour	Black
Nominal Product Length (mm)	148
Nominal Product Width (mm)	89.7
Weight (kg)	1.2

PACKAGING

Product EAN number	5025768703302
Packaging single length / height (cm)	30.0
Packaging single width (cm)	30.0
Packaging single depth (cm)	12.0
DUN14 (outer)	05025768703302
Units per outer package	1
Packaging outer length / height (cm)	30.0
Packaging outer width (cm)	30.0
Packaging outer depth (cm)	12.0

SAFETY DATA

Special purpose lamp	No
Dry applications use only	No
Suitable for household illumination	No