

# Connector PowerTOP Xtra

Part number: 14106



**MENNEKES**  
Elektrotechnik GmbH & Co. KG

Aloys-Mennekes-Straße 1  
57399 Kirchhundem  
GERMANY

[www.MENNEKES.org](http://www.MENNEKES.org)

## Product Description

- economic enclosure design with nubbed grip areas
- enclosure with thread lock and safety slide
- X-CONTACT
- frame terminals
- protection against kinking
- strain relief
- rubberised cable gland with sealing

## Technical Details

| Connector PowerTOP Xtra   | 14106                           |
|---|---------------------------------|
| Product serie   | PowerTOP Xtra                   |
| Ampere  | 63A                             |
| Number of poles   | 4p                              |
| Clock position  | 6h                              |
| Nominal voltage AC  | 400V                            |
| Nominal frequency   | 50 - 60 Hz                      |
| Protection type IP  | IP54                            |
| Contact carrier   | standard                        |
| X-CONTACT   | yes                             |
| Connection  | frame terminals                 |
| Contact screw drive   | PZ2, slot                       |
| Tightening torque connection terminal                               | 2 Nm                            |
| Recommended wire end treatment for supply cable connection terminal | usable with and without ferrule |
| Strip length jacket   | 80 mm                           |
| Strip length conductor PH + N                                       | 18 mm                           |
| Strip length conductor PE   | 18 mm                           |
| Pilot contact   | without pilot contact           |
| Conductor cross-section min.  | 6 mm <sup>2</sup>               |
| Conductor cross-section max.  | 16 mm <sup>2</sup>              |
| Cable kink protection   | integrated in cable gland       |
| Protective grommet  | without protective grommet      |

|                             |               |
|-----------------------------|---------------|
| Connector PowerTOP Xtra     | 14106         |
| Weight (net)                | 800 g         |
| Packaging unit              | 5 pcs         |
| EAN / identification number | 4015394238096 |

Permissible ambient conditions

|                               | Min.   | Max.  |
|-------------------------------|--------|-------|
| Permanent ambient temperature | -25 °C | 40 °C |

Material properties

|              |   |
|--------------|---|
| Cover        | PBT/PC squirrel grey [similar RAL 7000] |
|              | TPE anthracite [similar RAL 7016]       |
| Front part   | PBT/PC red [similar RAL 3013]           |
| Hinged lid   | PC red [similar RAL 3013]               |
| Clamp basket | PBT/PC black [similar RAL 9005]         |
|              | TPE natural colour [no RAL colour code] |
| Fastening    | PBT/PC squirrel grey [similar RAL 7000] |
|              | TPE anthracite [similar RAL 7016]       |

Material resistance

The material resistance overview can be found on the website in the section “Knowledge” - “Product knowledge” - “Materials”.

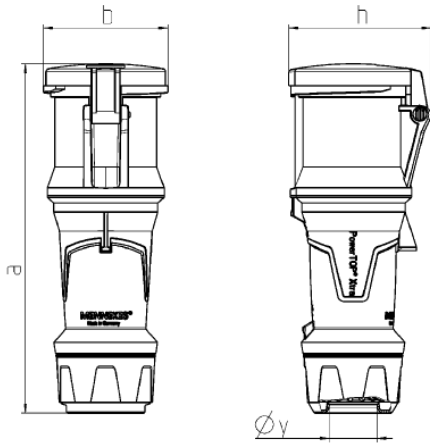
Material and environmental properties

|                                   |   |
|-----------------------------------|---|
| RoHS 2011/65/EU incl. 2015/863/EU | ✓ |
| POP regulation (EU) 2019/1021     | ✓ |

Regulations and Standards

|                           |                         |
|---------------------------|-------------------------|
| Norm                      | DIN EN IEC 60309-2      |
| Declaration of Conformity | CE                      |
| Test label                | CB Zertifikat, VDE, EAC |

# Dimensional Drawing



| Drawing<br>3 MB 69                   | Amp.<br>Poles | 63  |     |     |
|--------------------------------------|---------------|-----|-----|-----|
|                                      |               | 3   | 4   | 5   |
| Dim. in mm                           | a             | 268 | 268 | 268 |
|                                      | b             | 95  | 95  | 95  |
|                                      | h             | 109 | 109 | 109 |
|                                      | y             | 36  | 36  | 36  |
| Terminal for cond. cross             |               | 6   | 6   | 6   |
| section (mm <sup>2</sup> ) min.-max. |               | —16 | —16 | —16 |