

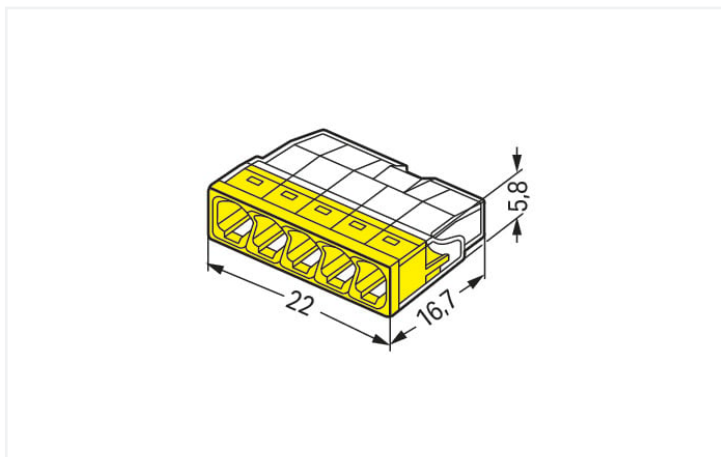
## Data Sheet | Item Number: 2273-245

PUSH WIRE® splicing connector; for solid conductors; Alu-Plus contact paste; max. 2.5 mm<sup>2</sup>; 5-conductor; transparent housing; yellow cover; Surrounding air temperature: max 60°C (T60); 2,50 mm<sup>2</sup>; transparent

<https://www.wago.com/2273-245>



Color:  transparent



Dimensions in mm

### Advantages:

- Convenient wiring via extremely compact design
- Push-in termination of up to eight solid conductors
- Cross section range: 0.5 ... 2.5 mm<sup>2</sup> (18 ... 14 AWG)
- Any combination of conductor sizes is possible
- PUSH WIRE® connection terminates solid ("s") copper conductors

### Notes

Safety management note

**NOTICE: Observe installation and safety instructions!**

- **Only to be used by electricians!**
- Do not work under voltage/load!
- Use only for proper use!
- Observe national regulations/standards/guidelines!
- Observe technical specifications for the products!
- Observe the number of permissible potentials!
- Do not use damaged/dirty components!
- Observe conductor types, cross-sections and strip lengths!
- Insert conductor until it hits the product's backstop!
- Use original accessories!

**To be sold only with installation instructions!**

in grounded power lines

Safety Information

## Electrical data

| Ratings per          | IEC/EN 60998 |     |       |
|----------------------|--------------|-----|-------|
| Overvoltage category | III          | III | II    |
| Pollution degree     | 3            | 2   | 2     |
| Nominal voltage      | -            | -   | 450 V |
| Rated surge voltage  | -            | -   | 4 kV  |
| Rated current        | -            | -   | 24 A  |

## Connection data

|                            |   |
|----------------------------|---|
| Clamping units             | 5 |
| Total number of potentials | 1 |

### Connection 1

|                                 |                    |
|---------------------------------|--------------------|
| Connection technology           | PUSH WIRE®         |
| Actuation type                  | Push-in            |
| Connectable conductor materials | Copper<br>Aluminum |

Connectable conductor materials (note) **Terminating Aluminum Conductors**  
WAGO spring clamp terminal blocks are suitable for solid aluminum conductors up to 4 mm<sup>2</sup>/12 AWG if WAGO "Alu-Plus" Contact Paste [249-130](#) is used for termination.

"Alu-Plus" Contact Paste Advantages:

- Automatically destroys the oxide film during clamping.
- Prevents fresh oxidation at the clamping point.
- Prevents electrolytic corrosion between aluminum and copper conductors (in the same terminal block).
- Provides long-term protection against corrosion.

For spring clamp connections with PUSH WIRE® connection technology, **WAGO recommends that the aluminum conductor first be cleaned** and then immediately inserted into the clamping unit filled with "Alu-Plus" contact paste.

It is also possible to apply WAGO "Alu-Plus" **additionally** on the whole surface of the aluminum conductor before termination.

Please note that the nominal currents must be adapted to the reduced conductivity of the aluminum conductors::

2.5 mm<sup>2</sup> = 16 A  
4 mm<sup>2</sup> = 22 A

|                  |   |
|------------------|---|
| Solid conductor  | 0.5 ... 2.5 mm <sup>2</sup> / 20 ... 16 AWG |
| Strip length     | 11 mm / 0.43 inches                         |
| Wiring direction | Side-entry wiring                           |

## Physical data

|        |                        |
|--------|------------------------|
| Width  | 18 mm / 0.709 inches   |
| Height | 5.8 mm / 0.228 inches  |
| Depth  | 16.7 mm / 0.657 inches |

### Material data

|                                    |  |
|------------------------------------|--|
| Note (material data)               | <a href="#">Information on material specifications can be found here</a> |
| Color                              | transparent  |
| Cover color                        | yellow   |
| Material group                     | IIIa   |
| Insulation material (main housing) | Polycarbonate (PC)   |
| Flammability class per UL94        | V2   |
| Clamping spring material           | Chrome-nickel spring steel (CrNi)  |
| Contact material                   | Electrolytic copper (E <sub>Cu</sub> )                                   |
| Contact Plating                    | Tin  |
| Fire load                          | 0.039 MJ   |
| Weight                             | 1.8 g  |

### Environmental requirements

|                                  |        |
|----------------------------------|--------|
| Ambient temperature (operation)  | +60 °C |
| Continuous operating temperature | 105 °C |
| Temperature marking per EN 60998 | T60    |

### Commercial data

|                       |                     |
|-----------------------|---------------------|
| Product Group         | 7 (Push Wire Conn.) |
| ETIM 8.0              | EC000446            |
| ETIM 7.0              | EC000446            |
| PU (SPU)              | 1000 (100) pcs      |
| Country of origin     | DE                  |
| GTIN                  | 4050821032014       |
| Customs tariff number | 85369010000         |

### Environmental Product Compliance

|                        |                         |
|------------------------|-------------------------|
| RoHS Compliance Status | Compliant, No Exemption |
|------------------------|-------------------------|

### Approvals / Certificates

#### General approvals



| Approval                                     | Standard | Certificate Name |
|--|----------|------------------|
| VDE<br>VDE Prüf- und Zertifizierungsinstitut | EN 60998 | 40029794         |

#### Declarations of conformity and manufacturer's declarations

| Approval   | Standard | Certificate Name |
|--|----------|------------------|
| EU-Declaration of Conformity<br>WAGO GmbH & Co. KG | -        | -                |
| UK-Declaration of Conformity<br>WAGO GmbH & Co. KG | -        | -                |

#### Approvals for marine applications



| Approval   | Standard | Certificate Name |
|--|----------|------------------|
| ABS<br>American Bureau of Shipping               | -        | 15-HG1419918-PDA |
| DNV GL<br>Det Norske Veritas, Germanischer Lloyd | EN 60998 | TAE000015T       |

#### Approvals for marine applications

| Approval              | Standard | Certificate Name |
|-----------------------|----------|------------------|
| LR<br>Lloyds Register | EN 60998 | LR22207029TA     |

Downloads

Environmental Product Compliance

Compliance Search

Environmental Product Compliance 2273-245



CAD/CAE-Data

CAD data

2D/3D Models  
2273-245



1 Compatible Products

1.1 Optional Accessories

1.1.1 Mounting adapter

1.1.1.1 Mounting accessories

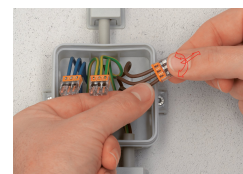
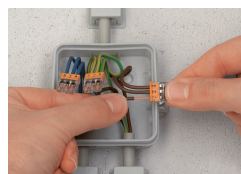


Item No.: 2273-500

Mounting carrier; for single- and double-row con.; 2273 Series; for DIN-35 rail mounting/screw mounting; orange

Installation Notes

Conductor termination



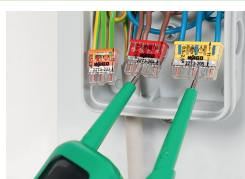
Strip solid conductor to 11 mm/0.43 inch (see marking).

The transparent housing shows if conductors are fully inserted; within the colored base, a clear port shows if the conductor's strip length is correct. Conductors are correctly stripped if the clear port shows no bare conductor on the unprinted connector side. Picture shows center conductor with exceeded strip length.

Termination: Insert the stripped solid conductor until it hits the backstop.

Removal: Hold conductor to be removed and twist alternately left and right while pulling the connector.

Testing



Testing via test port opposite to conductor entry.

Subject to changes. Please also observe the further product documentation!

---

Current addresses can be found at: [www.wago.com](http://www.wago.com)