

**Tissue holder with cover - Brushed Platinum**

**SERIES SPECIFIC**

83 510 979 Product version from 7/1/2023

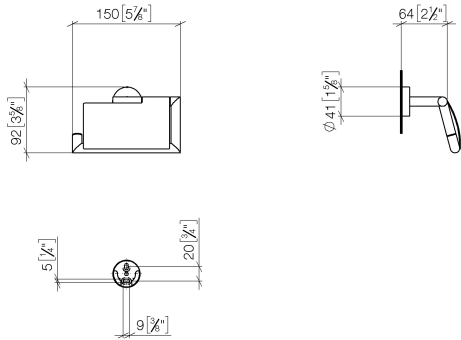


- width 150mm
- height 95 mm
- rosette Ø 40 mm
- 40mm projection

	Brushed Platinum	83 510 979-06
	Chrome	83 510 979-00
	Dark Chrome	83 510 979-19
	Light Gold (PVD)	83 510 979-26
	Brushed Light Gold (PVD)	83 510 979-27
	Matte Black	83 510 979-33
	Brushed Gold (PVD)	83 510 979-37
	Brushed Dark Brass (PVD)	83 510 979-39
	Brushed Bronze (PVD)	83 510 979-42
	Brushed Dark Bronze (PVD)	83 510 979-43
	Brushed Champagne (22kt Gold)	83 510 979-46
	Champagne (22kt Gold)	83 510 979-47
	Brushed Chrome	83 510 979-93
	Brushed Dark Platinum	83 510 979-99

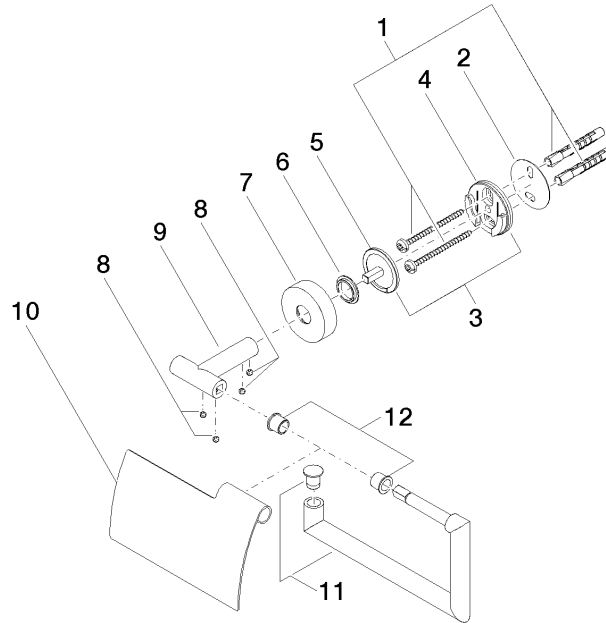
83 510 979 Product version from 7/1/2023

mm [inches]



83 510 979 Product version from 7/1/2023

Parts for other finishes can be found here: [Chrome](#)



### Spare parts list

No.	Item Number	Name	Quantity used	Delivery time
6	08 30 11 516 90	Ring Ø 20 x 3 mm -	1.00	14
9	05 17 97 562 01-06	Holder for toilet roll holder with cover 57 x 13 x 40 mm - Brushed Platinum	1.00	20
8	90 31 11 038 00 90	Mounting Threaded pin with hexagon socket with cup point M4 x 3 mm -	4.00	14
3	05 17 97 501 01 90	Wall bracket + holder (square) 35 x 35 x 20 mm -	1.00	14
7	08 27 97 500-06	Rosette Ø 40,5 x 11 mm - Brushed Platinum	1.00	20
2	05 30 11 519 00 90	Mounting Damper Ø 36 x 1 mm -	1.00	14
11	90 28 22 628 00-06	Holder for toilet roll holder 150 x 80 x 13 mm - Brushed Platinum	1.00	20
5	08 17 97 559 90	Holder two-piece Ø 32 x 16 mm -	1.00	14
1	05 30 31 025 00 90	Mounting Bolt Round head 4,5 x 60 mm -	1.00	14
4	08 17 97 501 07	Holder Ø 38 x 9 mm -	1.00	14
10	08 11 02 514-06	Cover for toilet roll holder 120 x 77 x 18 mm - Brushed Platinum	1.00	20
12	08 18 40 501 90	Sleeve for toilet roll holder 10 x 10 x 10 mm -	1.00	14