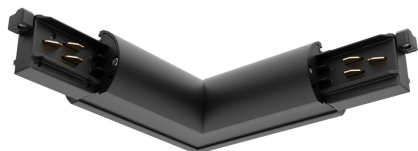


Concord

LYTESPAN ROUND L-FEED IN BLACK 9011-ST15/B 2070318



Features

- Lytespan Round Track accessory, L-feed connector, polarity ridge is in the inner side. Aluminium and polycarbonate body, copper alloy contacts. Black. Please check the polarity diagram on selling sheet.

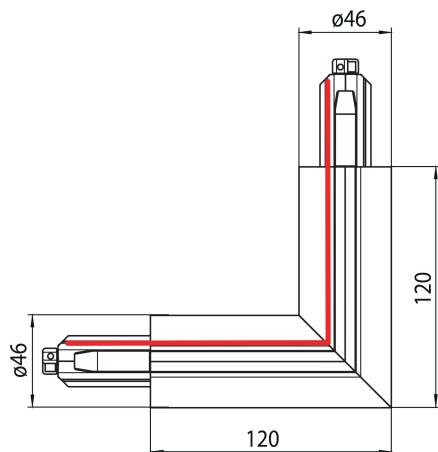
Product Overview

Product name	LYTESPAN ROUND L-FEED IN BLACK 9011-ST15/B
Technology	Accessory
Housing	Aluminium, PC Polycarbonate
Mount	Track mounting
General application	Hospitality, Museums & Galleries, Office
ETIM Class	EC002556
Housing colour	Black
Product EAN number	5025768703180
Warranty	5 years

Concord

LYTESPAN ROUND L-FEED IN BLACK 9011-ST15/B 2070318

Technical drawings



Data table

GENERAL DATA

Product name	LYTESPAN ROUND L-FEED IN BLACK 9011-ST15/B
Technology	Accessory
Accessory type	Electrical
Type of accessory	Coupler/connector L-shape
Housing	Aluminium, PC Polycarbonate
Mount	Track mounting
General application	Hospitality, Museums & Galleries, Office
ETIM Class	EC002556
Warranty	5 years

Concord

LYTESPAN ROUND L-FEED IN BLACK 9011-ST15/B 2070318

ELECTRICAL DATA

Primary Supply/Product voltage - min (V)	220
Primary Supply/Product voltage - max (V)	240
Control gear required	No
Connectable conductor cross section - Max (mm ²)	2.5

PHYSICAL DATA

Housing colour	Black
Nominal Product Length (mm)	89.7
Nominal Product Width (mm)	89.7
Weight (kg)	1.0

PACKAGING

Product EAN number	5025768703180
Packaging single length / height (cm)	30.0
Packaging single width (cm)	30.0
Packaging single depth (cm)	12.0
DUN14 (outer)	05025768703180
Units per outer package	1
Packaging outer length / height (cm)	30.0
Packaging outer width (cm)	30.0
Packaging outer depth (cm)	12.0

SAFETY DATA

Special purpose lamp	No
Dry applications use only	No
Suitable for household illumination	No