

# Connector AM-TOP

Part number: 1065



**MENNEKES**  
Elektrotechnik GmbH & Co. KG

Aloys-Mennekes-Straße 1  
57399 Kirchhundem  
GERMANY

[www.MENNEKES.org](http://www.MENNEKES.org)

## Product Description

- screw connection technology
- single part body
- highly heat resistant contact carrier, nickel plated contacts
- protection against kinking
- strain relief
- cable gland and sealing

## Technical Details

Connector AM-TOP	1065
Product serie	AM-TOP
Ampere	16A
Number of poles	7p
Clock position	7h
Nominal voltage AC	500V
Nominal frequency	50 - 60 Hz
Protection type IP	IP44
Contact carrier	highly heat resistant contact carrier, nickel plated contacts
X-CONTACT	no
Connection	screw terminals
Contact screw drive	PZ2, slot
Tightening torque connection terminal for cable cross-section 1,0 - 1,5 mm <sup>2</sup>	0.6 Nm
Tightening torque connection terminal for cable cross-section 2,5 - 4,0 mm <sup>2</sup>	0.8 Nm
Recommended wire end treatment for supply cable connection terminal	ferrule square gasproof crimped
Strip length jacket	40 mm
Strip length conductor PH + N	8 - 10 mm
Strip length conductor PE	12 - 17 mm
Pilot contact	without pilot contact
Conductor cross-section min.	1 mm <sup>2</sup>
Conductor cross-section max.	2.5 mm <sup>2</sup>

<b>Connector AM-TOP</b>	<b>1065</b>
Cable kink protection	integrated in cable gland
Protective grommet	without protective grommet
Weight (net)	241 g
Packaging unit	10 pcs
EAN / identification number	4015394007159

**Permissible ambient conditions**

	Min.	Max.
Permanent ambient temperature	-25 °C	40 °C

**Material properties**

Housing	PA6 black [similar RAL 9005]
Hinged lid	PC black [similar RAL 9005]
Clamp basket	PA6 natural colour [no RAL colour code]
	TPE squirrel grey [similar RAL 7000]
Fastening	PA6 squirrel grey [similar RAL 7000]

**Material resistance**

The material resistance overview can be found on the website in the section “Knowledge” - “Product knowledge” - “Materials”.

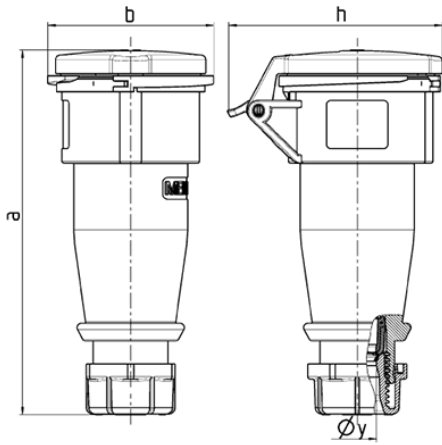
**Material and enviromental properties**

RoHS 2011/65/EU incl. 2015/863/EU	✓
POP regulation (EU) 2019/1021	✓

Regulations and Standards

Norm	DIN EN IEC 60309-2
Declaration of Conformity	CE
Test label	EAC, CQC

# Dimensional Drawing



Drawing 3 MB 63	Amp. Poles	16	32
		7	7
Dim. in mm	a	167	208
	b	76	89
	h	98	108
	y	16	22
Terminal for cond. cross		1	2.5
section (mm <sup>2</sup> ) min.-max.		—2.5	—6