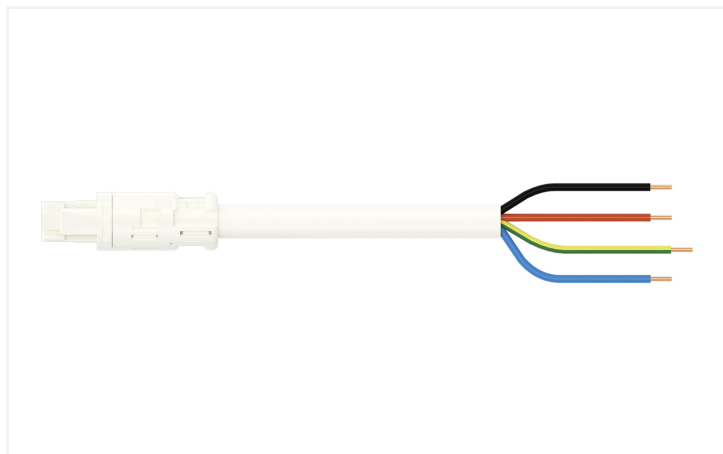


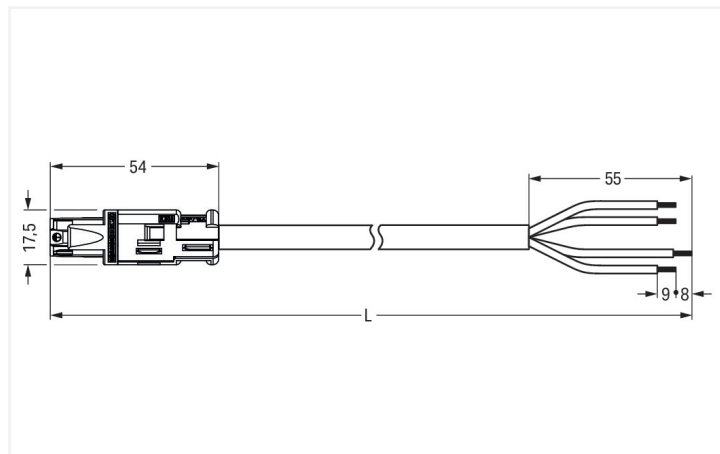
Data Sheet | Item Number: 774-9994/106-402

pre-assembled connecting cable; Eca; Socket/open-ended; 4-pole; Cod. A; H05VV-F 4G 1.5 mm²; 4 m; 1,50 mm²; white

<https://www.wago.com/774-9994/106-402>



Color: ■ white



Dimensions in mm

Cable assembly WINSTA® RD 4-pole

For signal and power transmission: The WINSTA® RD cable assembly with protection type IP20. WAGO pluggable installation connectors can be used when criteria repeat or are planned on a defined grid, for example for installing grid lighting or flush-mount lighting. For greater security in electrical installations, the pluggable installation connector is provided with mechanical protection against mismatching. The pluggable installation connector offers touch-proof protection with live components in accordance with protection type IP20 (When mated: IP2xC (These compact connectors are not designed for use in open, easily accessible areas!)). WINSTA® RD: Solutions from this product line are suitable for drill holes and conduits with diameters up to 20 mm. According to the European CPR, the fire class of the cables used for construction is decisive for building safety, too. For houses with medium-level safety requirements, cable assemblies with fire class E are suitable.

Fast, secure pluggable connections – cable assemblies from WAGO

The cable assembly is equipped with a socket and a free end. The WINSTA® Pluggable Connection System allows pluggable electrical installation. This significantly reduces the need for servicing and lowers costs. Enjoy the benefits of the pluggable version of our maintenance-free spring pressure connection technology too! Plan your installation with with protection type IP20 from WAGO.

- effective protection against mismatching
- products perfectly tailored to your requirements guarantee safe use
- with A coding for a great number of uses
- ready for immediate use
- convenient installation and commissioning

Notes

Note Cables with a different fire class can be found in the eShop.

Electrical data

| Ratings per | IEC/EN 60664-1 | | |
|---------------------------------|----------------|-----|----|
| Overvoltage category | III | III | II |
| Pollution degree | 3 | 2 | 2 |
| Nominal voltage | 250 V | - | - |
| Rated impulse withstand voltage | 4 kV | - | - |
| Rated current | 16 A | - | - |

General information

Note on contact resistance approx. 1 mΩ of contact resistance
approx. 0.25 mΩ contact transition plug/ socket

Connection Data

| | | | |
|----------------------------|---------------------------|---------------------------------|---------------------|
| Total number of potentials | 4 | Connection 1 | |
| Conductor preparation | ultrasonically tip-bonded | Strip length | 9 mm / 0.35 inches |
| | | Pole number | 4 |
| | | Wire cross-section | 1.5 mm ² |
| | | Strip length (outer insulation) | 55 mm |
| | | Connection type | Socket - free end |

Physical data

| | |
|--------------|------------------------|
| Width | 17.5 mm / 0.689 inches |
| Height | 17.5 mm / 0.689 inches |
| Total length | 4 m |

Mechanical data

| | |
|---|---|
| Use | General mains applications |
| Coding | A |
| Variable coding | No |
| Marking | N ⊕ 2 1 |
| Mating force of a plug-in connection | Approx. 30 ... 70 N (depending on pole number) |
| Retention force of a plug-in connection | when locked: > 80N |
| Unmating force of a plug-in connection | Unlocked: approx. 30 ... 70 N (depending on pole number) |
| Number of mating cycles | 200, without resistive load |
| Connection type | Socket - free end |
| Type of pre-assembled cable | Connecting cable |
| Cable type | H05VV-F 4G1.5 |
| Protection type | IP20; When mated: IP2xC (These compact connectors are not designed for use in open, easily accessible areas!) |

Plug-in connection

| | |
|-------------------------------|--|
| Mismating protection | Yes |
| Note on mismating protection | All <i>WINSTA</i> ® components are 100% protected against mismating when: a.) plugging different numbers of poles b.) plugging while incorrectly rotated c.) plugging while laterally staggered |
| Locking lever | Yes |
| Locking of plug-in connection | Locking lever |

Material data

| | |
|------------------------------------|--|
| Note (material data) | Information on material specifications can be found here |
| Color | white |
| Insulation material (main housing) | Polyamide (PA66) |
| Fire class per EN 50575 | E _{ca} |
| Contact material | Copper or copper alloy; surface-treated |
| Contact Plating | Tin |
| Fire load | 119.413 MJ |
| Connector color | white |
| Strain relief color | white |
| Sheathed cable color | white |
| Printing color of sheathed cable | black |
| Halogen-free | No |
| Silicon-free | Yes |
| Sheath material | PVC |
| Rubber cable | No |

Material data

| | |
|--------------------------------|------------|
| Weight | 525.1 g |
| Copper weight of the raw cable | 0.058 kg/m |

Environmental requirements

| | |
|--|---|
| Processing temperature | -5 ... +40 °C |
| Continuous operating temperature | -35 ... +85 °C |
| Note on continuous operating temperature | Cable for temperatures ≤ 70 °C (including halogen-free) Insulating parts for temperatures ≤ 105 °C |

Commercial data

| | |
|-----------------------|---------------|
| PU (SPU) | 1 pcs |
| Packaging type | unpacked |
| Country of origin | DE |
| GTIN | 4045454345860 |
| Customs tariff number | 85444290900 |

Product Classification

| | |
|-------------|----------------------|
| UNSPSC | 26121629 |
| eCl@ss 10.0 | 27-44-06-04 |
| eCl@ss 9.0 | 27-44-06-04 |
| ETIM 9.0 | EC002587 |
| ETIM 10.0 | EC002587 |
| ECCN | NO US CLASSIFICATION |

Environmental Product Compliance

| | |
|------------------------|-------------------------|
| RoHS Compliance Status | Compliant, No Exemption |
|------------------------|-------------------------|

Approvals / Certificates

General approvals



| Approval | Standard | Certificate Name |
|---------------------------------------|----------|------------------|
| CCA DEKRA Certification B.V. | - | NTR NL 6374 |
| CCA DEKRA Certification B.V. | EN 61535 | NTR NL-7969 |
| CCA DEKRA Certification B.V. | EN 61984 | NTR NL-7848 |
| KEMA/KEUR DEKRA Certification B.V. | EN 61535 | 71-123229 |
| KEMA/KEUR DEKRA Certification B.V. | EN 61984 | 71-114944 |
| KEMA/KEUR DEKRA Certification B.V. | - | 2118353.01 |

Declarations of conformity and manufacturer's declarations

| Approval | Standard | Certificate Name |
|---|----------|------------------|
| EU-Declaration of Confor- mity WAGO GmbH & Co. KG | - | - |
| UK-Declaration of Confor- mity WAGO GmbH & Co. KG | - | - |

Downloads

Environmental Product Compliance

Compliance Search

Environmental Product
Compliance
774-9994/106-402



Documentation

Bid Text

| | | | |
|------------------|------------|-----------------|--|
| 774-9994/106-402 | 19.02.2019 | xml 3.02 KB | |
| 774-9994/106-402 | 08.01.2015 | doc 24.00 KB | |

CAD/CAE-Data

CAE data

EPLAN Data Portal
774-9994/106-402



WSCAD Universe
774-9994/106-402

