

**VAIA Two-hole bath mixer for free-standing assembly with hand shower set -
Brushed Platinum**

VAIA

25 943 809 Product version from 3/13/2017 to 5/27/2021



- spout: circular, air-enriched flow
 - max. flow 24.6 l/min at 3 bar flow pressure
 - Hand shower: COMPACT RAIN, max. flow rate 6.8 l/min (at 3 bar)
 - hand shower with anti-scale system
 - 226mm projection
 - pivotable spout 360°
 - rotary diverter for bath/shower
 - total height 920 mm
 - stand pipes height 628 mm
 - height up to aerator 816 mm
 - slide-on rosettes Ø 100 mm
 - gauge 150 mm
 - metal shower hose 1250mm with integrated anti-twist protection
 - pivotable shower holder on the right foot
 - WRAS
- Intrinsic protection against back flow.**

Intrinsic protection against back flow.

	Brushed Platinum	25 943 809-06
	Chrome	25 943 809-00
	Platinum	25 943 809-08
	Dark Chrome	25 943 809-19
	Brushed Durabronze (23kt Gold)	25 943 809-28
	Brushed Dark Brass (PVD)	25 943 809-39
	Brushed Bronze (PVD)	25 943 809-42
	Brushed Dark Bronze (PVD)	25 943 809-43
	Brushed Champagne (22kt Gold)	25 943 809-46
	Champagne (22kt Gold)	25 943 809-47
	Brushed Dark Platinum	25 943 809-99

Required miscellaneous

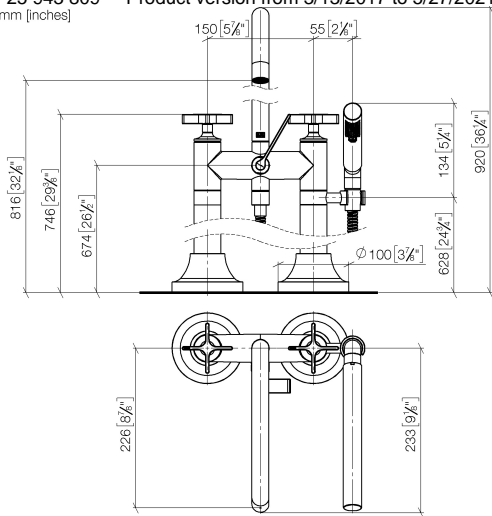


- Concealed floor mounting -** 35 944 970 90
- min. recess depth 80 mm
 - max. recess depth 160 mm

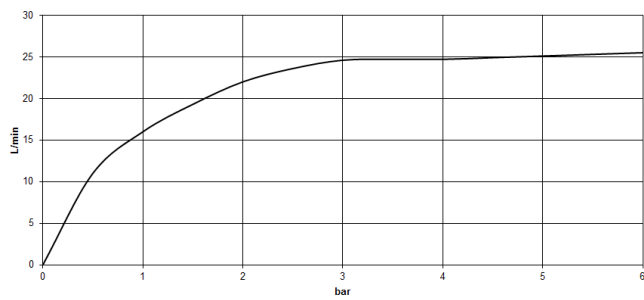
**VAIA Two-hole bath mixer for free-standing assembly with hand shower set -
Brushed Platinum**

VAIA

25 943 809 Product version from 3/13/2017 to 5/27/2021
mm [inches]



Flow rate chart



Codes & Standards

ASME A112.18.1	cUPC	DIN 4109	EN 1717
ISO 3822	Scottish Water Byelaws	UK Water Supply Regulations	Ü-Zeichen



VAIA Two-hole bath mixer for free-standing assembly with hand shower set -
Brushed Platinum

VAIA

25 943 809 Product version from 3/13/2017 to 5/27/2021

Certificates and sustainability

LGA_29

Belgauqa_22_276_2 IAPMO_4976

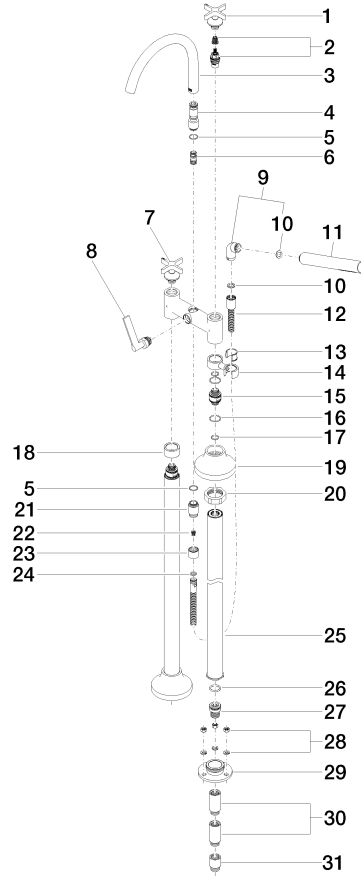
WRAS_240502

EPD-DOR-20230287
-IBA1-EN
Environmental.prod
uct-declarat

**VAIA Two-hole bath mixer for free-standing assembly with hand shower set -
Brushed Platinum**

VAIA

25 943 809 Product version from 3/13/2017 to 5/27/2021



VAIA Two-hole bath mixer for free-standing assembly with hand shower set - Brushed Platinum

VAIA

25 943 809 Product version from 3/13/2017 to 5/27/2021

Spare parts list

No.	Item Number	Name	Quantity used	Delivery time
	21 09 24 03 121-06	Nipple Ø 24,7 x 34,5 mm - Brushed Platinum	1.00	20
	3 90 28 22 317 00-06	Spout 220 mm, 25,2 l/min. - Brushed Platinum	1.00	20
	26 09 14 10 081 90	O-Ring EPDM 70 22,0 x 3,0 mm -	2.00	14
	27 09 24 03 094-07	Connection Ø 28 x 34 mm - untreated nickel-plated	2.00	40
	7 90 20 80 011 01-06	Handle for spray/bath deck mounting Hot Ø 71 x 63 mm - Brushed Platinum	1.00	20
	29 09 30 11 130-07	Flange for floor connection Ø 84 x 25 mm - untreated nickel-plated	2.00	40
	2 90 90 03 131 00 90	Head part clockwise closing 1/2" -	1.00	14
	11 28 019 979-06	Hand shower - Brushed Platinum	1.00	-
Spare part can no longer be ordered, please order the replacement item				
	10 90 14 20 002 00 90	Washer 18,5 x 12,0 x 2,0 mm -	1.00	14
	30 09 24 03 081 10 90	Extension 1/2" x 50 mm -	4.00	14
	4 09 24 03 273-06	Nipple Ø 24 x 75,50 mm - Brushed Platinum	1.00	20
	17 90 14 10 055 00 90	O-Ring EPDM 70 15,0 x 2,0 mm -	4.00	14
	5 90 14 10 032 00 90	O-Ring 18,1 x 1,6 mm -	1.00	14
	15 09 29 05 021 20 90	Connection Ø 29 x 41,5 mm -	2.00	14
	24 90 14 20 026 00 90	Washer 14 x 8 x 2 mm Centellen WS 3820 -	1.00	14
	23 09 21 02 143-06	Cover Ø 24,7 x 20 mm - Brushed Platinum	1.00	20
	18 09 28 10 028-06	Rosette Ø 38 x 20 mm - Brushed Platinum	1.00	20
	20 09 23 30 040-07	Mounting Nut M45 x 1,5 - untreated nickel-plated	2.00	40
	13 90 18 40 035 00 90	Sleeve -	1.00	14
	19 90 27 80 019 00-06	Rosette Ø 100 x 55 mm - Brushed Platinum	2.00	20
	12 90 30 02 072 00-06	Metal shower hose 1/2" x 3/8" x 1250 mm - Brushed Stainless Steel / Platinum Matt	1.00	20
	31 09 24 03 080 90	Extension 1/2" x 25 mm -	2.00	14
	8 90 20 80 015 02-06	Diverter Handle 135 x 130 x 80 mm - Brushed Platinum	1.00	20
	14 04 28 10 029 01-06	Holder for spray deck mounting - Brushed Platinum	1.00	20
	16 09 14 10 112 90	O-Ring 24,0 x 2,0 mm -	4.00	14
	1 90 20 80 010 01-06	Handle for spray/bath wall mounting Cold Ø 71 x 63 mm - Brushed Platinum	1.00	20
	25 04 28 22 009 20-06	Connection 590 mm - Brushed Platinum	2.00	20
	6 90 21 10 011 00 90	Diverter TARA incl. eccentric -	1.00	14
	9 04 24 04 189 00-06	Elbow 20° 55 x 40 x 23 mm - Brushed Platinum	1.00	20
	28 04 23 10 023 00 90	Mounting for standpipe -	6.00	14
	22 09 23 01 131 90	Back-flow preventer without limitation Ø 10 x 10,5 mm -	1.00	14