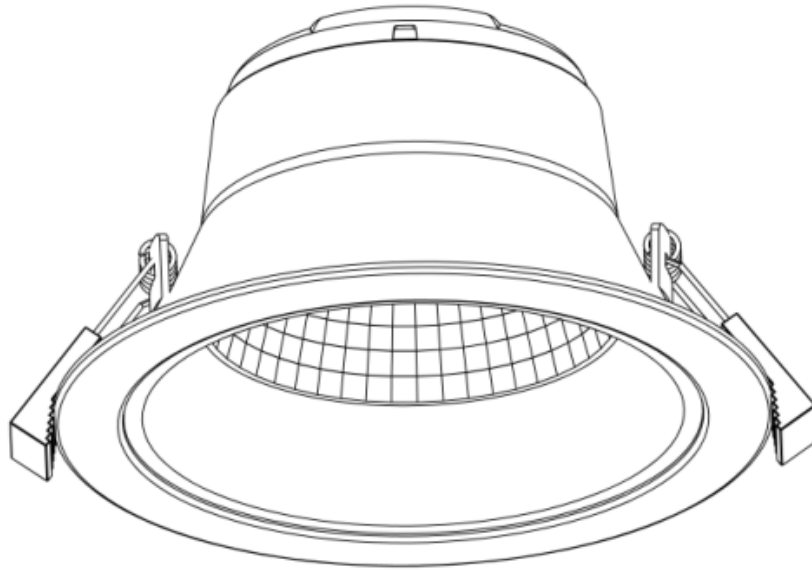




Read these instructions & save for future use

Reflector downlight eco | white | Ø113mm | 10W | tri-white



Article number **136-112**

Brand **Tronix Lighting**

Type **Downlights | Reflector**

Contents of this product **1x Downlight 10 Watt
with external driver**

Technical datasheet **Digitally available
on our webshop**



*View instructions and
technical data also on
our website*

TRONIX



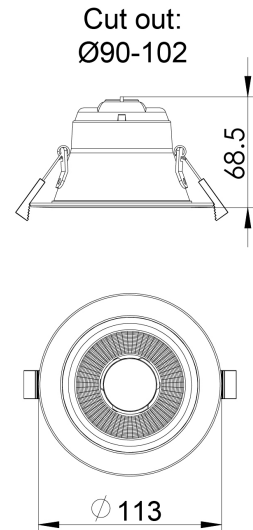
Before first use

Before getting started with this product, it is advisable to check the order completeness and any damage. If this is the case, please contact Tronix Lighting.

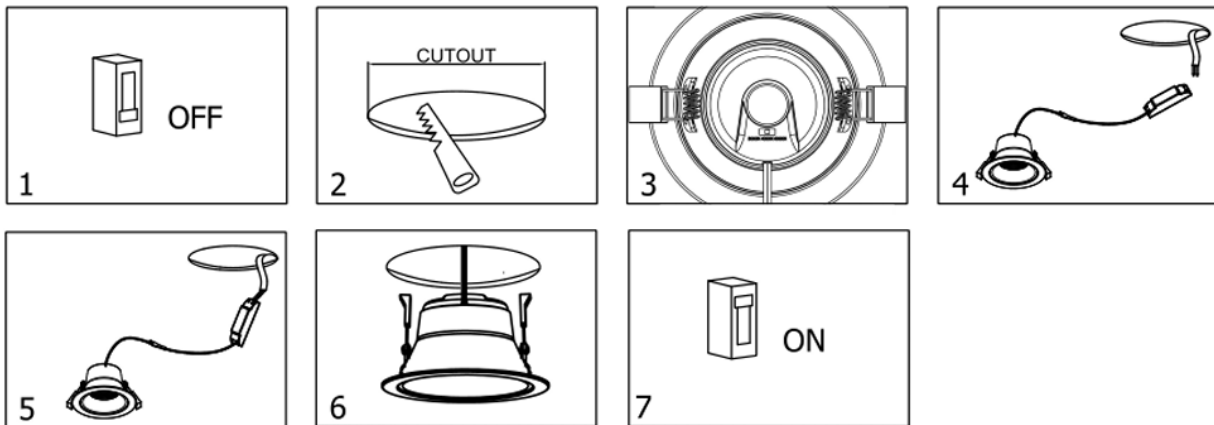
Description

This reflector downlight is equipped with high quality LED chips, providing low consumption combined with high output and long life. This is combined with an elegant and fashionable model of high-purity aluminum with wide reflector. This ensures a stable, pleasant light experience free of hazardous substances such as lead or mercury.

In short, a beautiful spotlight suitable for the office, living spaces, schools, hotels and other public locations.



Installation



1. Turn off the power and remove the product from the package;
2. Drill a suitable mounting hole in the ceiling according to the required hole size of this product;
3. Use the switch on the back of the spotlight to select desired color temperatures;
4. Connect the external driver to 220V mains, after wiring and installation is checked;
5. Place the external driver in a suitable place above the ceiling;
6. Push both clamping springs towards the spotlight and insert it into the ceiling. The spotlight is automatically clamped into the ceiling;
7. Check the installation and position of the spotlight again. The spotlight should always be placed at an appropriate distance so that one does not look directly into the light source for long periods of time. When everything is in order, the power can be reactivated.



Safety

Safety is a top priority at Tronix Lighting. Therefore, we heartily recommend that you follow the following steps closely:

- Keep this manual carefully for future reference;
- Choose a qualified electrician while installing, maintaining or inspecting this product;
- Never look directly into a light source to avoid possible eye damage;
- Ensure that the respective power group is always on non-active when the product is connected;
- Use only recommended combinations (LED drivers, controllers or dimmers) to avoid injury or damage to the product;
- The light source of this spotlight is not replaceable. Because of this, you must replace the entire fixture towards the end of its lifespan and it is not recommended to open it;
- Place this spotlight indoors only at a standard room temperature (~25°C).

Technical problems and repair

Should a product not work properly after installation, or if the product exhibits problems over time, it is advisable to check the following elements:

- Check the wiring and installation of your product;
- Check for the presence of interfering elements such as dust, water or other electronics;
- If possible, try disconnecting the product and testing it in another location to rule out a problem at the location;
- Should you be dealing with a WIFI-based product, check and reset your router's settings.

Should the product still not work after testing, it is recommended to send it in for inspection and/or repair. To do so, please contact Tronix Lighting using nearby details and proof of purchase (packing slip).



CARE



SHARE



CONNECT

Supplier:

Tronix Lighting B.V

Vluchtoord 41
5406 XP Uden, Netherlands

+31 (0)413 330 380
sales@tronixlighting.com

Terms and symbols (as relevant to product)



The **CE mark** indicates that this product complies with EU regulations on safety, health and environmental protection;



The **WEEE symbol** stands for "Waste Electrical and Electronic Equipment Regulation," a directive on the collection, recycling and recovery of electronic waste;



The **Class II symbol** indicates that this product is double insulated;

- The product is rated **IP20**. This means that the product is resistant to the penetration of solid objects >12.5 mm and is not resistant to water or moisture.