



Features

- Ultra-efficient LED filament lamp range with the same reminiscent look of the classic traditional lamp
- Save up to 95% on energy bills compared to old incandescent lamps
- Energy Class A and best-in-class lumen efficacy
- Sustainable and eco-friendly solution
- Last three times longer than the standard LED retrofit lamps
- Remarkable 50,000 hours average rated life – reducing the hassle of frequent replacements
- Sparkling light effect
- Ideal for everyday lighting in homes, hotels, restaurants and more
- Omni-directional light distribution
- Non-dimmable

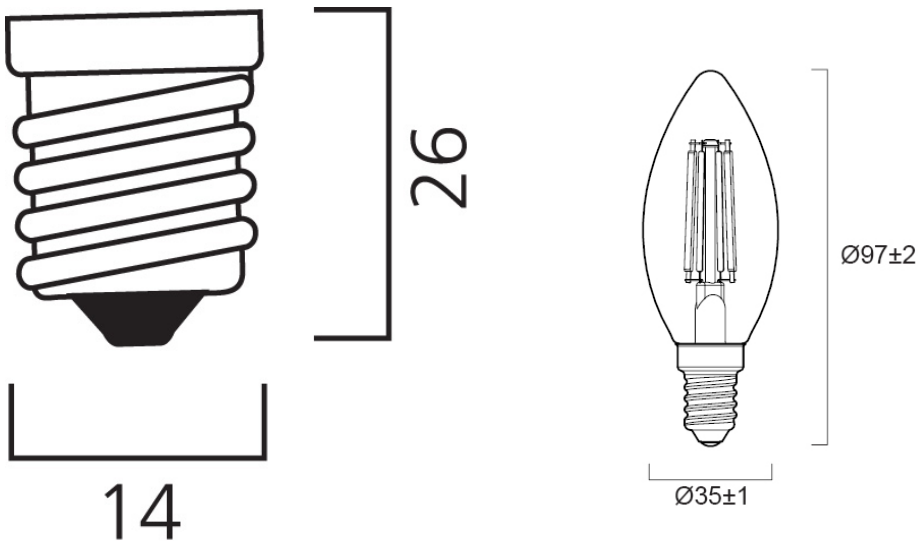
Product Overview

Product name	ToLEDo Platinum RT Candle 485LM 827 E14 SL
Technology	LED
Lamp shape	Candle
Cap/Base	E14
Lamp finish	Clear
Fixture rating	Open
General application	Hospitality, Residential & Consumer
ETIM Class	EC001959
E-number FI	4741179
Correlated colour temperature (k)	2700
Light colour	Warm White
CRI (Ra)	80
Colour Variation Initial (SDCM)	6
Beam Angle (°)	320
Photobiological Risk Group	RG1
Wattage (W)	2.3
Power consumption (W)	2.2
Control gear type	LED driver constant current

ToLEDo Platinum RT Candle 485LM 827 E14 SL 0030140

Dimmable	No
Housing colour	Transparent
IP rating	IP20
Product EAN number	5410288301402
Warranty	5 years
Dimming method	N/A
Useful luminous flux (#use)	485

Technical drawings



Data table

GENERAL DATA

Product name	ToLEDo Platinum RT Candle 485LM 827 E14 SL
Technology	LED
Lamp shape	Candle
Cap/Base	E14
Lamp finish	Clear
Fixture rating	Open
General application	Hospitality, Residential & Consumer

ToLEDo Platinum RT Candle 485LM 827 E14 SL 0030140

Operating temperature range (°C)	-20°C...+40°C
ETIM Class	EC001959
E-number FI	4741179
Warranty	5 years

OPTICAL DATA

Useful luminous flux (#use)	485
Correlated colour temperature (k)	2700
Light colour	Warm White
CRI (Ra)	80
Colour Variation Initial (SDCM)	6
Beam Angle (°)	320
Photobiological Risk Group	RG1

ELECTRICAL DATA

Power consumption (W)	2.2
Wattage (W)	2.3
Equivalent watt (W)	40
Current (A)	0.021
Primary Supply/Product voltage - min (V)	220.0
Primary Supply/Product voltage - max (V)	240.0
Control gear required	No
Control gear type	LED driver constant current
No. Of switching cycles before premature failures	>50000
Dimmable	No
Dimming method	N/A
Inrush Current (A)	9
Inrush Duration (µs)	130
Lamp Energy Label (class)	A
Nominal Frequency (Hz)	50/60Hz

LIFETIME DATA

Lifespan L70 B50	50000
------------------	-------

ToLEDo Platinum RT Candle 485LM 827 E14 SL 0030140

PHYSICAL DATA

Housing colour	Transparent
IP rating	IP20
Nominal Product Height (mm)	97
Nominal Product Diameter (mm)	35
Weight (kg)	0.025

PACKAGING

Product EAN number	5410288301402
Packaging single length / height (cm)	4.5
Packaging single width (cm)	4.5
Packaging single depth (cm)	11.0
DUN14 (inner)	15410288301409
Units per outer package	6
Packaging outer length / height (cm)	14.3
Packaging outer width (cm)	9.7
Packaging outer depth (cm)	12.0

SAFETY DATA

Optimal operating condition (°C)	-20-40
Breakage cleaning instructions	Not applicable
Special purpose lamp	No
Dry applications use only	Yes
Suitable for household illumination	Yes
Safety message	Not Suitable for totally enclosed fixtures

SYLVANIA

ToLEDo Platinum RT Candle 485LM 827 E14 SL
0030140

Energy label



0030140



3
kWh/1000h



2019/2015



0030140



3
kWh/1000h



2019/2015

Light your world