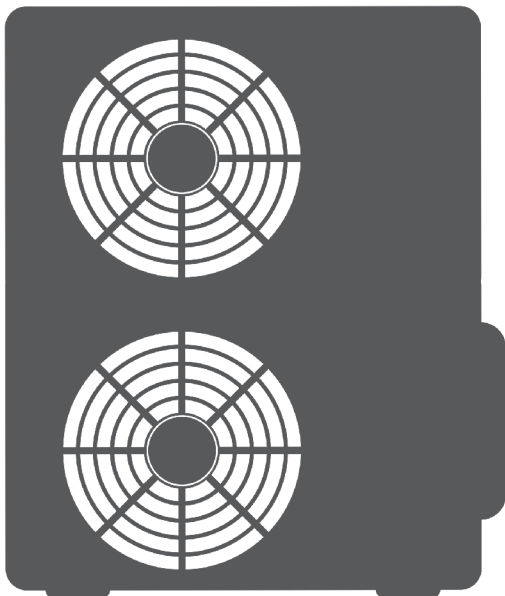


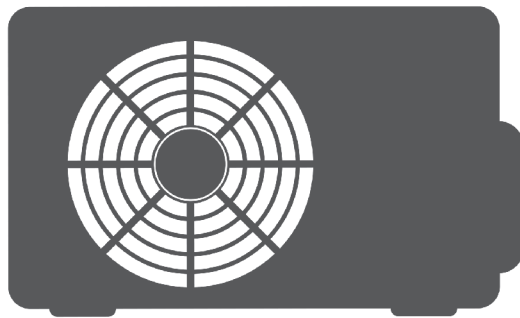
# AIR CONDITIONING SYSTEMS

## CONSOLE TYPE

- **INSTALLATION MANUAL**
- **ΕΓΧΕΙΡΙΔΙΟ ΕΓΚΑΤΑΣΤΑΣΗΣ**
- **MANUAL DE INSTALARE**
- **INSTALLATIONSHANDBUCH**



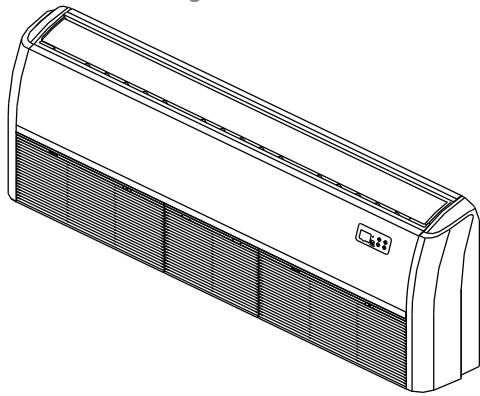
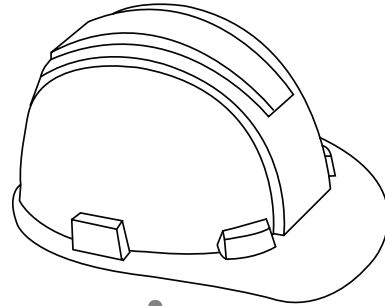
**MODELS:**  
LV6LI-12WiFiR  
LV6LI-18WiFiR



# Table of Contents

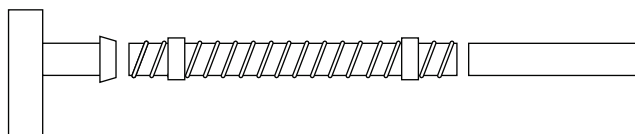
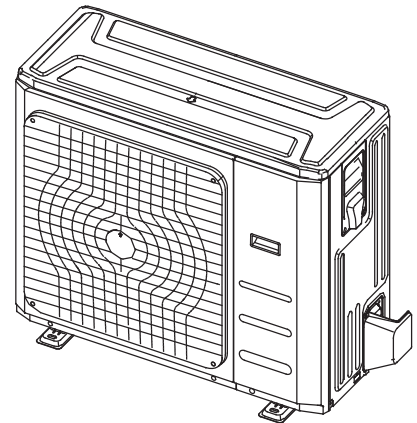
## Installation Manual

<b>1</b>	Accessories .....	04
<b>2</b>	Safety Precautions .....	06
<b>3</b>	Installation Overview .....	12



<b>4</b>	Indoor Unit Installation .....	13
	a. Indoor Unit Parts .....	13
	b. Indoor Unit Installation Instructions	14

<b>5</b>	Outdoor Unit Installation .....	19
	a. Outdoor Unit Installation Instructions .....	19
	b. Drain Joint Installation .....	21
	c. Notes on Drilling Hole in Wall .....	21

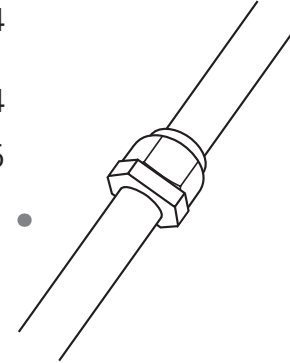
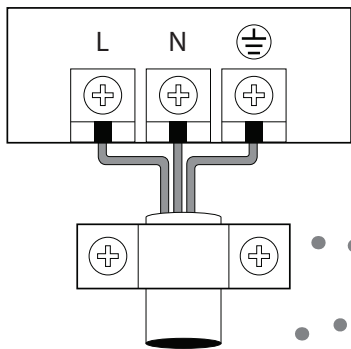




**6** Refrigerant Piping Connection ..... 24

    A. Notes on Pipe Length and Elevation ..... 24

    B. Refrigerant Piping Connection Instructions ..... 26



**7** Wiring .....28

    a. Outdoor Unit Wiring .....29

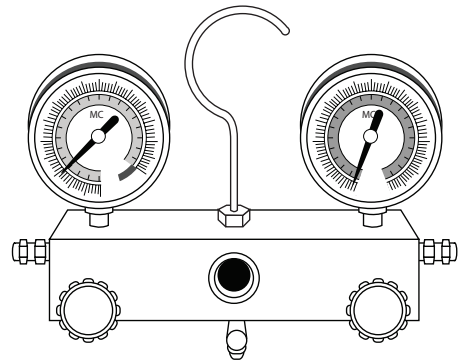
    b. Indoor Unit Wiring .....30

    c. Power Specifications .....31

**8** Air Evacuation.....32

    a. Evacuation Instructions .....32

    b. Note on Adding Refrigerant .....33



Caution: Risk of fire  
(R32/R290 refrigerant)

**9** Test Run.....34

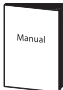
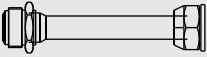
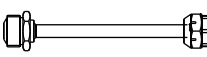
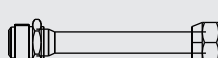

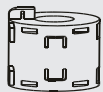

**10** European Disposal Guidelines .....35


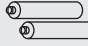
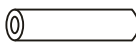
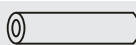







**11** Information servicing.....36

# Accessories

# 1

The air conditioning system comes with the following accessories. Use all of the installation parts and accessories to install the air conditioner. Improper installation may result in water leakage, electrical shock and fire, or cause the equipment to fail. The items are not included with the air conditioner must be purchased separately.

Name of Accessories	Q'ty(pc)	Shape
Manual	2~4	
Transfer connector (ΦΦ 12.7-ΦΦ 15.9) (some models)	1	
Transfer connector (ΦΦ 6.35-ΦΦ 9.52) (some models)	1	
Transfer connector (ΦΦ 9.52-ΦΦ 12.7) (some models)	1	
Magnetic ring (wrap the electric wires S1 & S2 ( P & Q & E ) around the magnetic ring twice) (some models)	1	 S1&S2(P&Q&E)
Magnetic ring (Hitch it on the connective cable between indoor unit and outdoor unit after installation.) (some models)	1	
Wired remote controller (some models)	1	

Name of Accessories	Q'ty(pc)	Shape
Remote controller (some models)	1	
Battery (some models)	2	
Soundproof / insulation sheath (some models)	2	
Heat insulation pipe	1	
Anchor	6 (depending on models)	
Mounting plate fixing screw	6 (depending on models)	
Drain joint (some models)	1	
Seal ring (some models)	1	
Copper nut	2	
Red short connected wire (some models)	1	
Air freshening filter (some models)	2	

## Optional accessories

- There are two types of remote controls: wired and wireless. Select a remote controller based on customer preferences and requirements and install in an appropriate place. Refer to catalogues and technical literature for guidance on selecting a suitable remote controller.

Name	Shape		Quantity(PC)
<b>Connecting pipe assembly</b>	<b>Liquid side</b>	Φ <b>6.35(1/4in)</b>	Parts you must purchase separately. Consult the dealer about the proper pipe size of the unit you purchased.
		Φ <b>9.52(3/8in)</b>	
		Φ <b>12.7(1/2in)</b>	
	<b>Gas side</b>	Φ <b>9.52(3/8in)</b>	
		Φ <b>12.7(1/2in)</b>	
		Φ <b>16(5/8in)</b>	
		Φ <b>19(3/4in)</b>	
		Φ <b>22(7/8in)</b>	

# Safety Precautions

# 2

## Read Safety Precautions Before Installation

**Incorrect installation due to ignoring instructions can cause serious damage or injury.**

The seriousness of potential damage or injuries is classified as either a **WARNING** or **CAUTION**.



Failure to observe a warning may result in death. The appliance must be installed in accordance with national regulations.



Failure to observe a caution may result in injury or equipment damage.



**This symbol indicates that you must never perform the action indicated.**

## **WARNING**

1. Carefully read the Safety Precautions before installation.
2. In certain functional environments, such as kitchens, server rooms, etc., the use of specially designed air-conditioning units is highly recommended.
3. Only trained and certified technicians should install, repair and service this air conditioning unit.
4. Improper installation may result in electrical shock, short circuit, leaks, fire or other damage to the equipment and personal property.  
(In North America, installation must be performed in accordance with the requirement of NEC and CEC by authorized personnel only.)
5. Strictly follow the installation instructions set forth in this manual.
6. Before you install the unit, consider strong winds, typhoons and earthquakes that might affect your unit and locate it accordingly. Failure to do so could cause the equipment to fail.
7. This appliance can be used by children aged from 8 years and above and persons with reduced physical, sensory or mental capabilities or lack of experience and knowledge if they have been given supervision or instruction concerning use of the appliance in a safe way and understand the hazards involved. Children shall not play with the appliance. Cleaning and user maintenance shall not be made by children without supervision.  
(EN Standard requirements)
8. Do not use means to accelerate the defrosting process or to clean, other than those recommended by the manufacturer.
9. This appliance is not intended for use by persons (including children) with reduced physical, sensory or mental capabilities or lack of experience and knowledge, unless they have been given supervision or instruction concerning use of the appliance by a person responsible for their safety. (IEC Standard requirement)
10. Children should be supervised to ensure that they do not play with the appliance.  
(IEC Standard requirement)

## WARNING

11. If the supply cord is damaged, it must be replaced by the manufacturer, its service agent or similarly qualified persons in order to avoid a hazard.
12. The appliance shall be installed in accordance with national wiring regulations.
13. An all-pole disconnection device which has at least 3mm clearances in all poles, and have a leakage current that may exceed 10mA, the residual current device (RCD) having a rated residual operating current not exceeding 30mA, and disconnection must be incorporated in the fixed wiring in accordance with the wiring rules.
14. The appliance disconnection must be incorporated with an all-pole disconnection device in the fixed wiring in accordance with the wiring rules.
15. Any person who is involved with working on or breaking into a refrigerant circuit should hold a current valid certificate from an industry-accredited assessment authority, which authorises their competence to handle refrigerants safely in accordance with an industry recognised assessment specification.
16. Servicing shall only be performed as recommended by the equipment manufacturer.
17. Maintenance and repair requiring the assistance of other skilled personnel shall be carried out under the supervision of the person competent in the use of flammable refrigerants.
18. The appliance shall be stored so as to prevent mechanical damage from occurring.
19. Keep ventilation openings clear of obstruction.
20. Do not turn on the power until all work has been completed.
21. When moving or relocating the air conditioner, consult experienced service technicians for disconnection and reinstallation of the unit
22. In certain functional environments, such as kitchens, server rooms, etc., the use of specially designed air-conditioning units is highly recommended.
23. Removal of the plug has to be such that an operator can check from any of the points to which he has access that the plug remains removed.
24. If this is not possible, due to the construction of the appliance or its installation, a disconnection with a locking system in the isolated position shall be provided.
25. How to install the appliance to its support, please read the information for details in "indoor unit installation" and "outdoor unit installation".

## CAUTION

- ⊘ For units that have an auxiliary electric heater, do not install the unit within 1 meter (3 feet) of any combustible materials.
  - ⊘ Do not install the unit in a location that may be exposed to combustible gas leaks. If combustible gas accumulates around the unit, it may cause fire.
  - ⊘ Do not operate your air conditioner in a wet room such as a bathroom or laundry room. Too much exposure to water can cause electrical components to short circuit.
1. The product must be properly grounded at the time of installation, or electrical shock may occur.
  2. Install drainage piping according to the instructions in this manual. Improper drainage may cause water damage to your home and property.



## Cautions for using R32/R290 refrigerant

1. Installation (Space)
  - That the installation of pipe-work shall be kept to a minimum.
  - That pipe-work shall be protected from physical damage.
  - That compliance with national gas regulations shall be observed.
  - That mechanical connections shall be accessible for maintenance purposes.
  - In cases that require mechanical ventilation, ventilation openings shall be kept clear of obstruction.
  - When disposing of the product is used, be based on national regulations, properly processed.
  - The appliance shall be stored in a well-ventilated area where the room size corresponds to the room area as specified for operation.
  - Spaces where refrigerant pipes shall be compliance with national gas regulations.
2. Servicing
  - Any person who is involved with working on or breaking into a refrigerant circuit should hold a current valid certificate from an industry-accredited assessment authority, which authorises their competence to handle refrigerants safely in accordance with an industry recognised assessment specification.
  - Servicing shall only be performed as recommended by the equipment manufacturer. Maintenance and repair requiring the assistance of other skilled personnel shall be carried out under the supervision of the person competent in the use of flammable refrigerants.
3. Do not use means to accelerate the defrosting process or to clean, other than those recommended by the manufacturer.
4. The appliance shall be stored in a room without continuously operating ignition sources (for example: open flames,an operating gas appliance or an operating electric heater)
5. Do not pierce or burn.
6. Be aware that refrigerants may not contain an odour.
7. Be more careful that foreign matter(oil, water,etc) does not enter the piping. Also, when storing the piping, securely seal the opening by pinching, taping, etc.  
For indoor units, use R32 flareless joint assy only when connecting the indoor unit and connecting piping(when connecting indoors). Use of pipes, flareless nut or flare nuts other than specified, may cause product malfunction, burst piping, or injury due to high internal pressure of the refrigerant cycle caused by any inflow air.
8. Appliance shall be installed, operated and stored in a room with a floor area larger than X m<sup>2</sup> (Please see the following form ). The appliance shall not be installed in an unventilated space, if that space is smaller than X m<sup>2</sup> (Please see the following form ).

The maximum charge in a room shall be in accordance with the following:

$$m_{\max} = 2,5 \times (\text{LFL})^{(5/4)} \times h_0 \times (\text{A})^{1/2}$$

or the required minimum floor area  $A_{\min}$  to install an appliance with refrigerant charge  $M(\text{kg})$  shall be in accordance with following:

$$A_{\min} = (M / (2,5 \times (\text{LFL})^{(5/4)} \times h_0))^2$$

Where.

$m_{\max}$  is the allowable maximum charge in a room, in kg;

$M$  is the refrigerant charge amount in appliance, in kg;

$A_{\min}$  is the required minimum room area, in  $\text{m}^2$ ;

$A$  is the room area, in  $\text{m}^2$ ;

$\text{LFL}$  is the lower flammable limit, in  $\text{kg}/\text{m}^3$ ;

$h_0$  is the release height, the vertical distance in metres from the floor to the point of release when the appliance is installed;

$h_0 = (h_{\text{inst}} + h_{\text{rel}})$  or 0,6 m whichever is higher

$h_{\text{rel}}$  is the release offset in metres from the bottom of the appliance to the point of release

$h_{\text{inst}}$  is the installed height in metres of the unit

**Reference installed heights are given below:**

0.0 m for portable and floor mounted;

1.0m for window mounted;

1.8m for wall mounted;

2.2m for ceiling mounted;

If the minimum installed height given by the manufacturer is higher than the reference installed height, then in addition  $A_{\min}$  and  $m_{\max}$  for the reference installed height have to be given by the manufacturer. An appliance may have multiple reference installed heights. In this case,  $A_{\min}$  and  $m_{\max}$  calculations shall be provided for all applicable reference installed heights.

For appliances serving one or more rooms with an air duct system, the lowest opening of the duct connection to each conditioned space or any opening of the indoor unit greater than  $5 \text{ cm}^2$ , at the lowest position to the space, shall be used for  $h_0$ . However,  $h_0$  shall not be less than 0,6 m.  $A_{\min}$  shall be calculated as a function of the opening heights of the duct to the spaces and the refrigerant charge for the spaces where leaked refrigerant may flow to, considering where the unit is located. All spaces shall have a floor area more than  $A_{\min}$ .

**NOTE 1** This formula cannot be used for refrigerants lighter than 42 kg/kmol.

**NOTE 2** Some examples of the results of the calculations according to the above formula are given in Tables 1-1 and 1-2.

**NOTE 3** For factory sealed appliances, the nameplate on the unit itself marked the refrigerant charge can be used to calculate  $A_{min}$ .

**NOTE 4** For field charged products, calculation of  $A_{min}$  can be based on the installed refrigerant charge not to exceed the factory specified maximum refrigerant charge.

The maximum charge in a room and the required minimum floor area to install an appliance, please refer to the "Owner's Manual & Installation Manual" of the unit. For specific information on the type of gas and the amount, please refer to the relevant label on the unit itself

Table.1-1 **Max Refrigerant Charge (kg)**

Refrigerant Type	LFL(kg/m <sup>3</sup> )	Installation Height H0(m)	Floor Area (m <sup>2</sup> )						
			4	7	10	15	20	30	50
<b>R32</b>	0.306	0.6	0.68	0.90	1.08	1.32	1.53	1.87	2.41
		1.0	1.14	1.51	1.80	2.20	2.54	3.12	4.02
		1.8	2.05	2.71	3.24	3.97	4.58	5.61	7.24
		2.2	2.50	3.31	3.96	4.85	5.60	6.86	8.85
		0.6	0.05	0.07	0.08	0.10	0.11	0.14	0.18
<b>R290</b>	0.038	1.0	0.08	0.11	0.13	0.16	0.19	0.23	0.30
		1.8	0.15	0.20	0.24	0.29	0.34	0.41	0.53
		2.2	0.18	0.24	0.29	0.36	0.41	0.51	0.65

Table.1-2 **Min. Room Area (m<sup>2</sup>)**






Refrigerant Type	LFL(kg/m <sup>3</sup> )	Installation Height H0(m)	Charge Amount in kg Minimum Room Area (m <sup>2</sup> )						
			1.224kg	1.836kg	2.448kg	3.672kg	4.896kg	6.12kg	7.956kg
<b>R32</b>	0.306	0.6	29	51	116	206	321	543	
		1.0	10	19	42	74	116	196	
		1.8	3	6	13	23	36	60	
		2.2	2	4	9	15	24	40	
		0.152kg	0.228kg	0.304kg	0.456kg	0.608kg	0.76kg	0.988kg	
<b>R290</b>	0.038	0.6	82	146	328	584	912	1541	
		1.0	30	53	118	210	328	555	
		1.8	9	16	36	65	101	171	
		2.2	6	11	24	43	68	115	



## Note about Fluorinated Gasses

1. This air-conditioning unit contains fluorinated greenhouse gasses. For specific information on the type of gas and the amount, please refer to the relevant label on the unit itself or the "Owner's Manual - Product Fiche " in the packaging of the outdoor unit. (European Union products only).
2. Installation, service, maintenance and repair of this unit must be performed by a certified technician.
3. Product uninstallation and recycling must be performed by a certified technician.
4. For equipment that contains fluorinated greenhouse gases in quantities of 5 tonnes of CO<sub>2</sub> equivalent or more, but of less than 50 tonnes of CO<sub>2</sub> equivalent, If the system has a leak-detection system installed, it must be checked for leaks at least every 24 months.
5. When the unit is checked for leaks, proper record-keeping of all checks is strongly recommended.

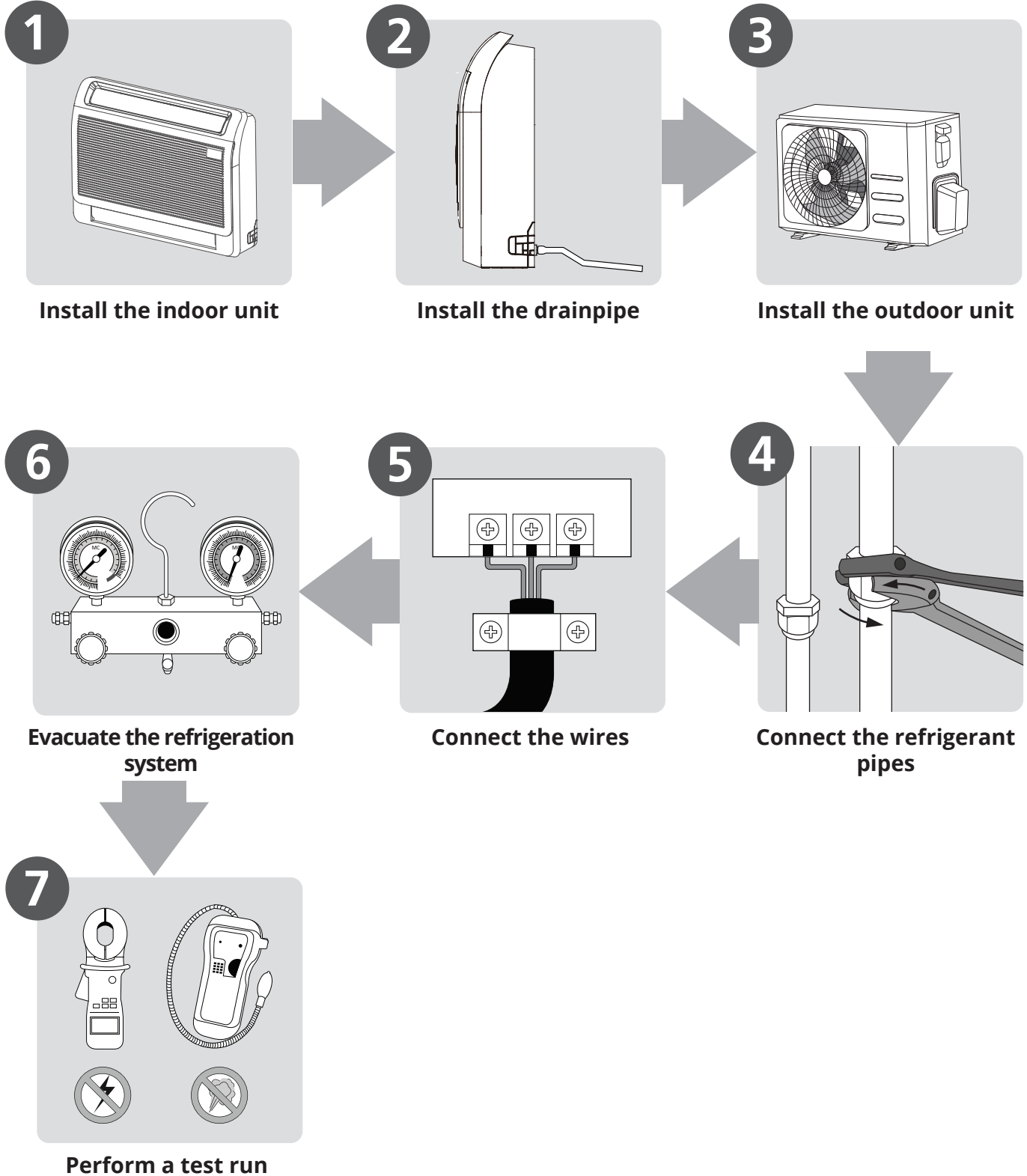
### Explanation of symbols displayed on the indoor unit or outdoor unit (applicable to the unit adopts R32/R290 Refrigerant only):

	<b>WARNING</b>	This symbol shows that this appliance uses a flammable refrigerant. If the refrigerant is leaked and exposed to an external ignition source, there is a risk of fire.
	<b>CAUTION</b>	This symbol shows that the operation manual should be read carefully.
	<b>CAUTION</b>	This symbol shows that a service personnel should be handling this equipment with reference to the installation manual.
	<b>CAUTION</b>	
	<b>CAUTION</b>	This symbol shows that information is available such as the operating manual or installation manual.

# Installation Overview

3

## INSTALLATION ORDER

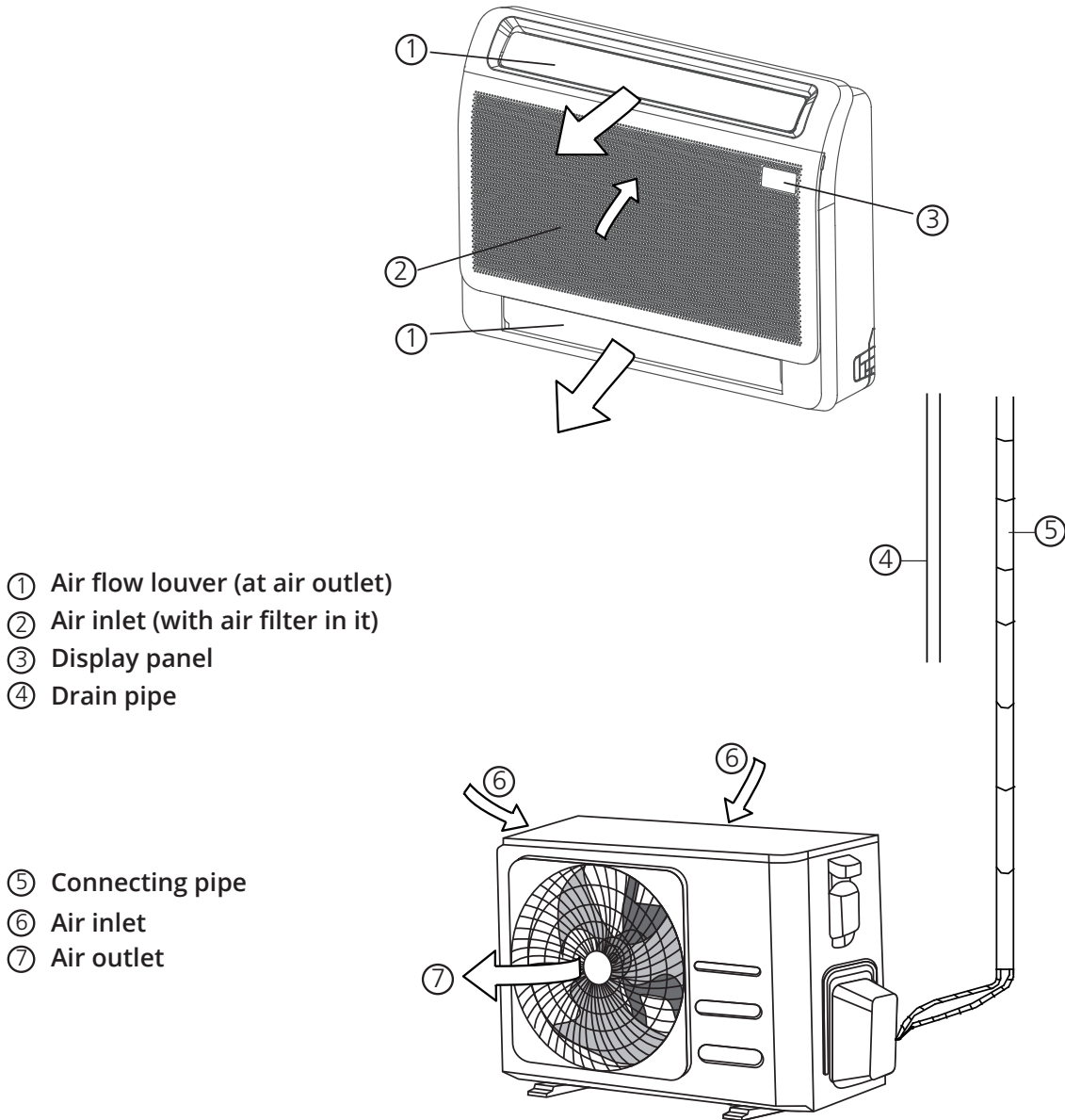


# Indoor Unit Installation

# 4

## Indoor Unit Parts

**NOTE:** The installation must be performed in accordance with the requirement of local and national standards. The installation may be slightly different in different areas.



## NOTE ON ILLUSTRATIONS

- The piping can be connected from the left, right, rear and lower sides of the unit. Please select the piping method according to the actual demand.
- Illustrations in this manual are for explanatory purposes. The actual shape of your indoor unit may be slightly different. The actual shape shall prevail.

## Indoor Unit Installation Instructions

**NOTE:** Panel installation should be performed after piping and wiring have been completed.

### Step 1: Select installation location

The indoor unit should be installed in a location that meets the following requirements:

- ☑ Enough room exists for installation and maintenance.
- ☑ Enough room exists for the connecting the pipe and drainpipe.
- ☑ The ceiling is horizontal and its structure can sustain the weight of the indoor unit.
- ☑ The air inlet and outlet are not blocked.
- ☑ The airflow can fill the entire room.
- ☑ There is no direct radiation from heaters.



## CAUTION

**DO NOT** install the unit in the following locations:

- ⊘ Areas with oil drilling or fracking
- ⊘ Coastal areas with high salt content in the air
- ⊘ Areas with caustic gases in the air, such as hot springs
- ⊘ Areas that experience power fluctuations, such as factories
- ⊘ Enclosed spaces, such as cabinets
- ⊘ Kitchens that use natural gas
- ⊘ Areas with strong electromagnetic waves
- ⊘ Areas that store flammable materials or gas
- ⊘ Rooms with high humidity, such as bathrooms or laundry rooms

## RECOMMENDED DISTANCES BETWEEN THE INDOOR UNIT

The distance between the mounted indoor unit should meet the specifications illustrated in the following diagram. (See Fig. 4.2)

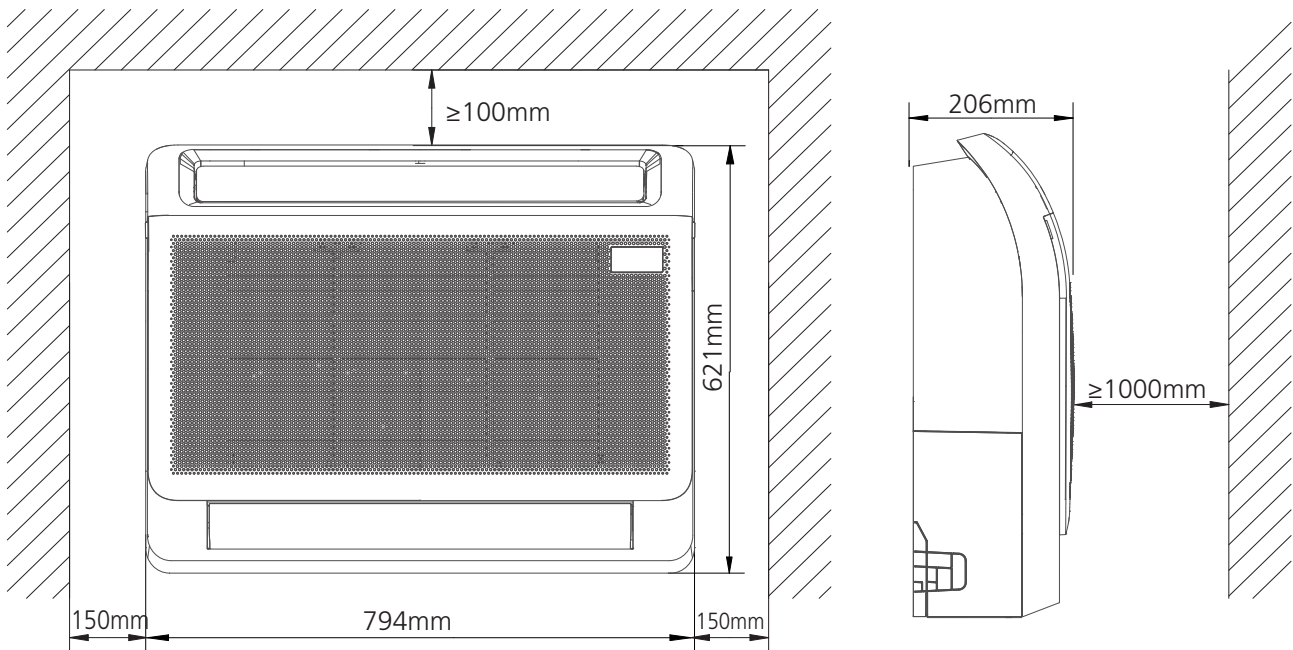
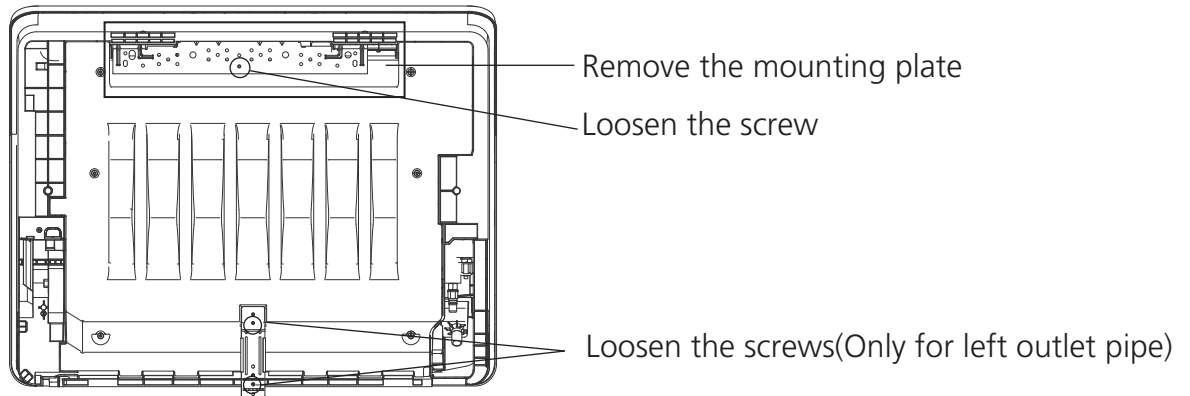


Fig. 4.2

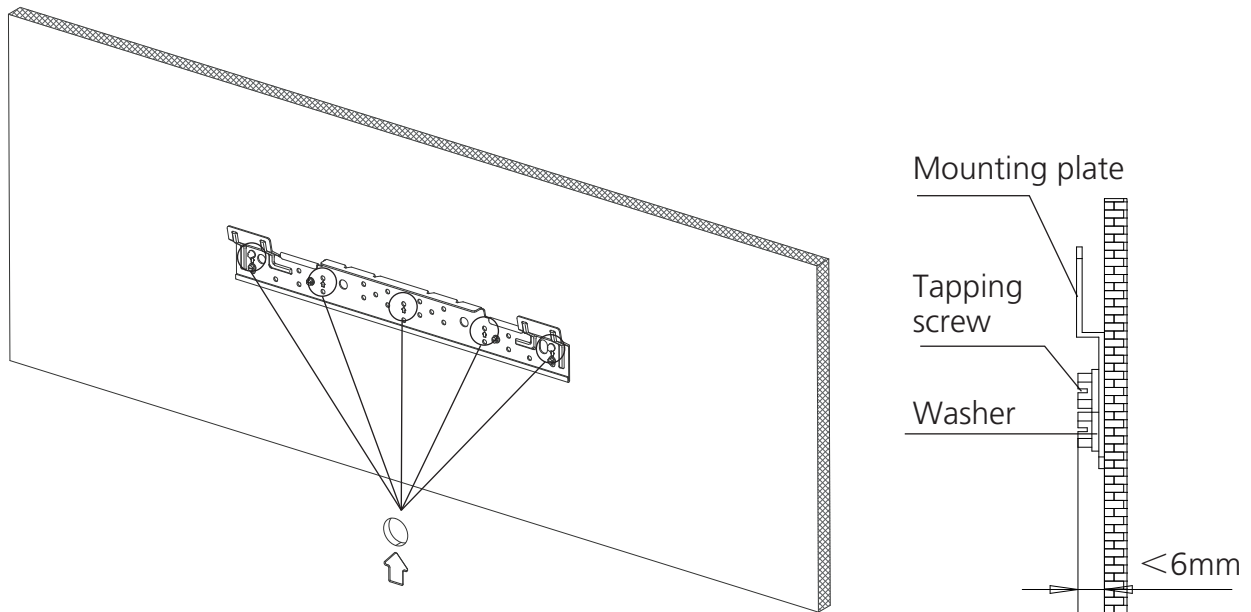
## Step 2: Installing the main body

- After loosening the screws, remove the mounting plate from the unit.



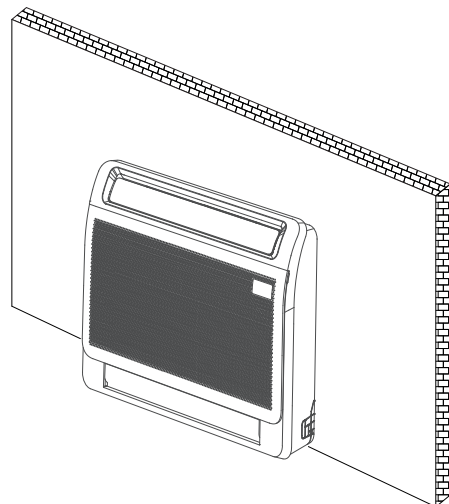
NOTE: If the pipe comes out on the left, it is necessary to loosen the screws on the bottom mounting plate. If the pipe comes out in other directions, it is not necessary.

- Fix the mounting plate with a tapping screw onto the wall.  
NOTE: It is recommended to fix it on the wall according to the hanging hole indicated by the arrow on the mounting plate. Mounting plate must be installed horizontally.



- Hang the indoor unit on the mounting plate.  
(The bottom of body can touch the floor or remain suspended, but the body must be installed vertically.)

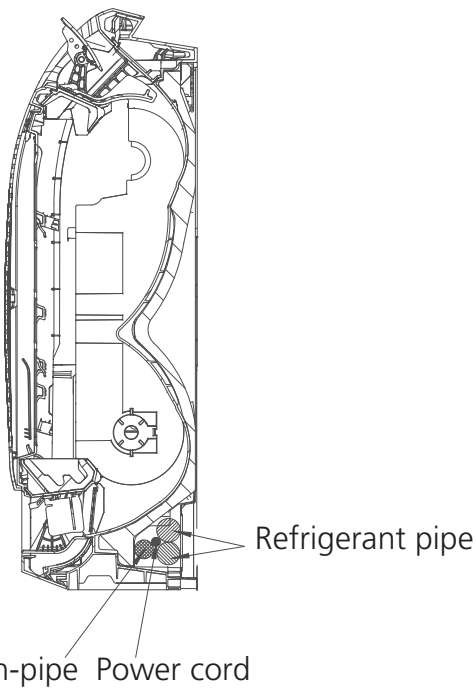
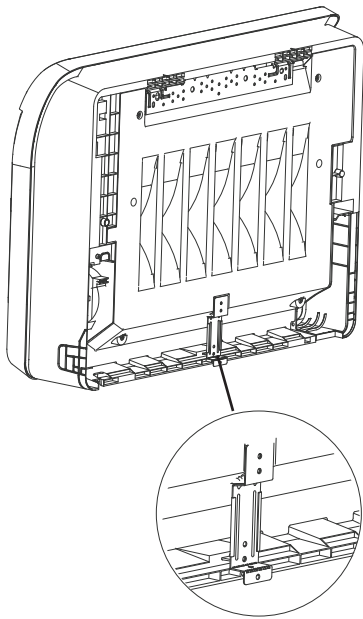
NOTE: After installation, the unit shall be kept horizontal without tilting.



- Bottom mounting plate installation

Installation without skirting

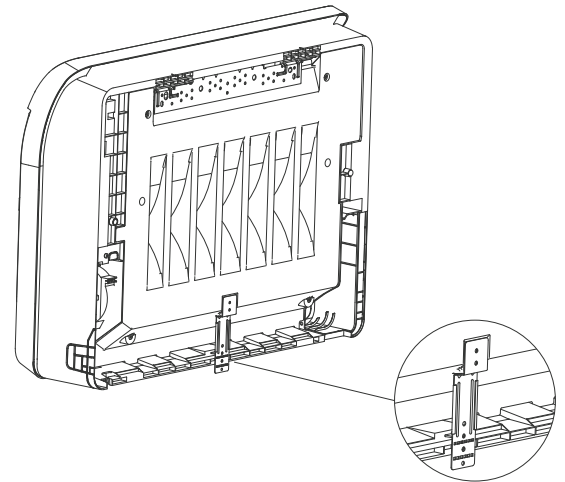
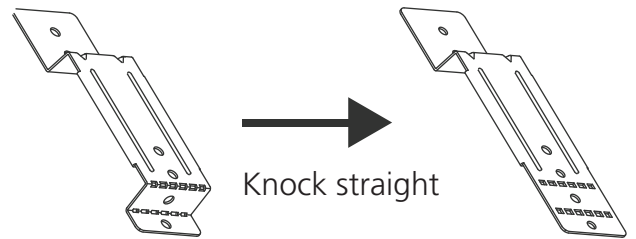
The bottom mounting plate is fixed directly to the wall.



NOTE: In order to drain smoothly, the position of the drain pipe must refer to the above figure when discharging the right pipe.

Installation with skirting line

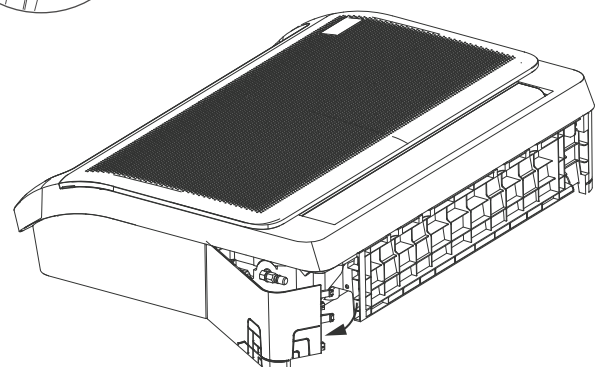
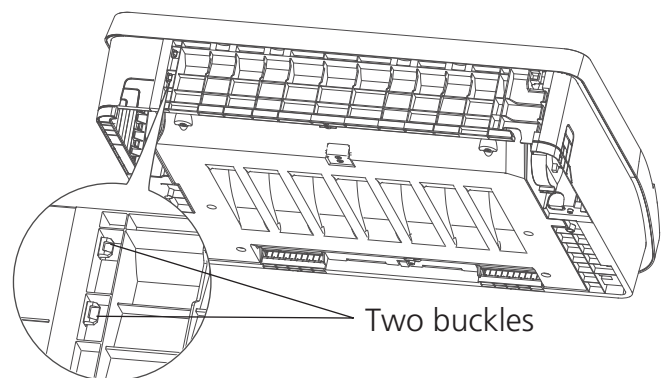
Knock the bottom mounting plate straight with a tool and fix it on the skirting line.



**Step 3: Taking the indoor unit apart to connect the pipes**

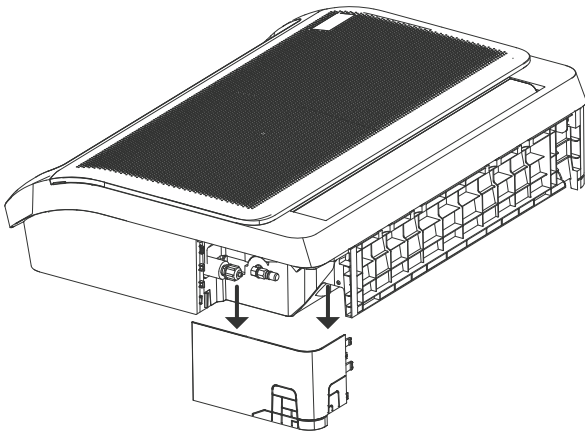
**1. Open the bottom piping cover plate**

Press and hold the bottom two buckles, and then rotate to open the piping cover plate.



## 2. Remove the cover plate.

Remove the pipe cover plate and install the internal and external connecting pipes.



**NOTE:** Install small-size piping first, and then large-size piping.

**NOTE:** All the figures in this manual are for demonstration purposes only. The air conditioner you have purchased may be slightly different in design, though similar in shape.

## Step 4: Network address set (some models)

(Only unit of 18000Btu/h has the function that Network address set.)

Every air-conditioner in network has only one network address to distinguish each other. Address code of air-conditioner in LAN is set by code switches S1 & S2 on the Main Control Board of the indoor unit, and the set range is 0-63.

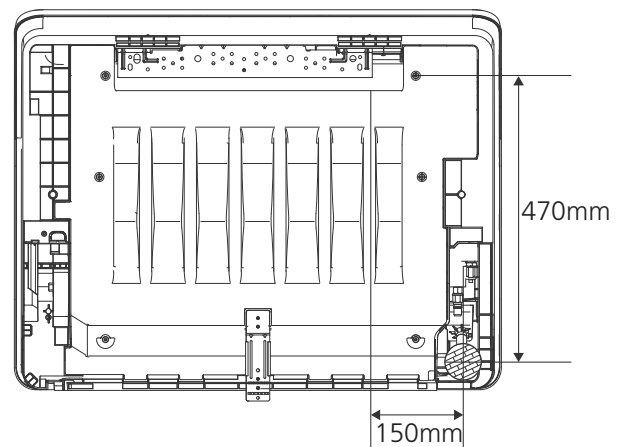
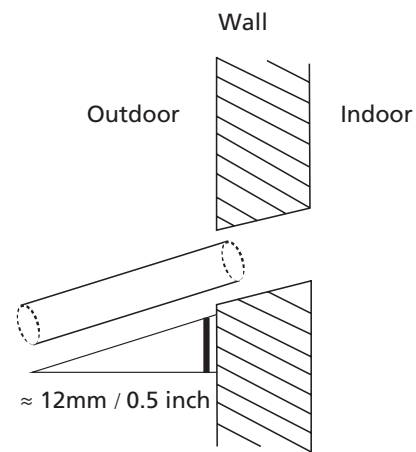
Toggle switch set		Network address code
S1	S2	
		00~15
		16~31
		32~47
		48-63

## Step 5: Drill wall hole for connective piping

1. Determine the location of the wall hole based on the location of the outdoor unit.
2. Using a 65mm (2.5in) or 90mm(3.54in) (depending on models )core drill, drill a hole in the wall. Make sure that the hole is drilled at a slight downward angle, so that the outdoor end of the hole is lower than the indoor end by about 12mm (0.5in). This will ensure proper water drainage.
3. Place the protective wall cuff in the hole. This protects the edges of the hole and will help seal it when you finish the installation process.

### CAUTION

When drilling the wall hole, make sure to avoid wires, plumbing, and other sensitive



Recommended position and size of back outlet pipe through wall hole



## Step 6: Connect drain hose

The drainpipe is used to drain water away from the unit. Improper installation may cause unit and property damage.

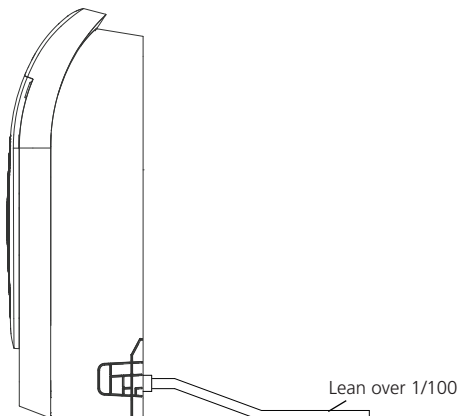
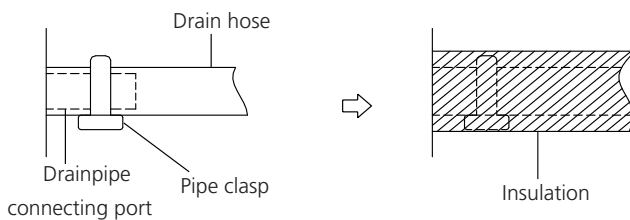
### ⚠ CAUTION

- Insulate all piping to prevent condensation, which could lead to water damage.
- If the drainpipe is bent or installed incorrectly, water may leak and cause a water-level switch malfunction.
- In HEAT mode, the outdoor unit will discharge water. Ensure that the drain hose is placed in an appropriate area to avoid water damage and slippage.
- **DO NOT** pull the drainpipe forcefully. This could disconnect it.

### NOTE ON PURCHASING PIPES

Installation requires a polyethylene tube (exterior diameter = 3.7-3.9cm, interior diameter = 3.2cm), which can be obtained at your local hardware store or dealer.

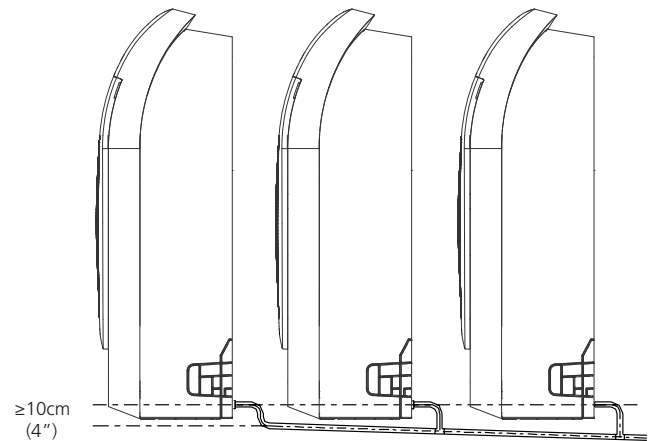
1. Cover the drainpipe with heat insulation to prevent condensation and leakage.
2. Attach the mouth of the drain hose to the unit's outlet pipe. Sheath the mouth of the hose and clip it firmly with a pipe clasp.



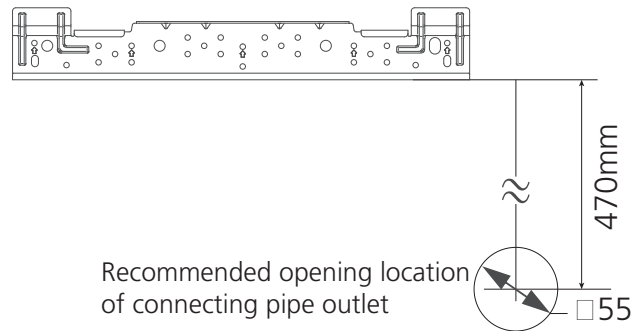
### NOTE ON DRAINPIPE INSTALLATION

- When using an extended drainpipe, tighten the indoor connection with an additional protection tube. This prevents it from pulling loose.
- The drainpipe should slope downward at a gradient of at least 1/100 to prevent water from flowing back into the air conditioner.
- Incorrect installation could cause water to flow back into the unit and flood.

**NOTE:** When connecting multiple drainpipes, install the pipes as illustrated.

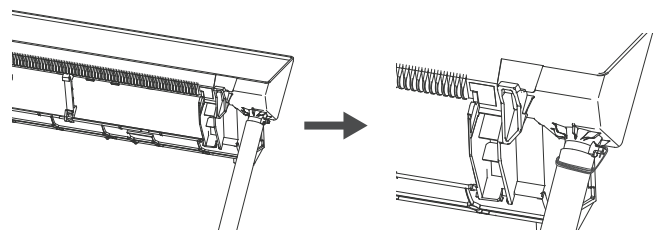


In order to ensure smooth drainage, the height difference between the wall outlet and the hanging plate must be greater than 470mm.



### Drainage pipe fixing requirements

When installing the drainage pipe (not provided), please fix it with a tie or rope.





# Outdoor Unit Installation

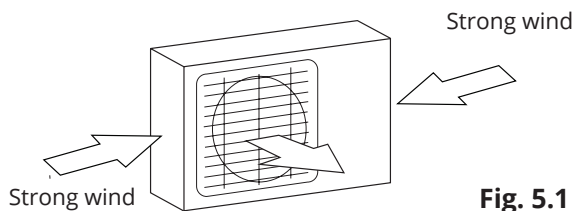
# 5

## Outdoor Unit Installation Instructions

### Step 1: Select installation location.

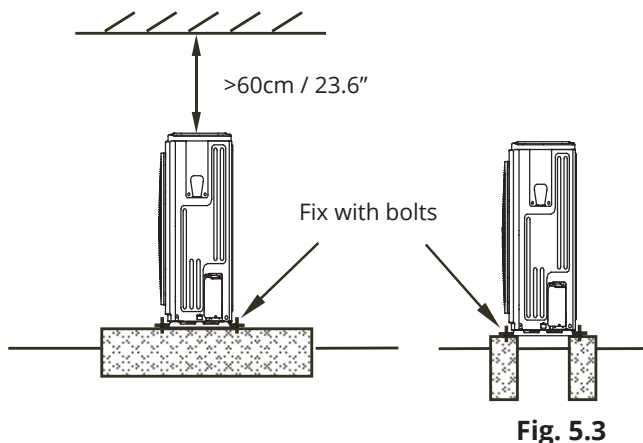
The outdoor unit should be installed in the location that meets the following requirements:

- ☑ Place the outdoor unit as close to the indoor unit as possible.
- ☑ Ensure that there is enough room for installation and maintenance.
- ☑ The air inlet and outlet must not be obstructed or exposed to strong wind.
- ☑ Ensure the location of the unit will not be subject to snowdrifts, accumulation of leaves or other seasonal debris. If possible, provide an awning for the unit. Ensure the awning does not obstruct airflow.
- ☑ The installation area must be dry and well ventilated.
- ☑ There must be enough room to install the connecting pipes and cables and to access them for maintenance.

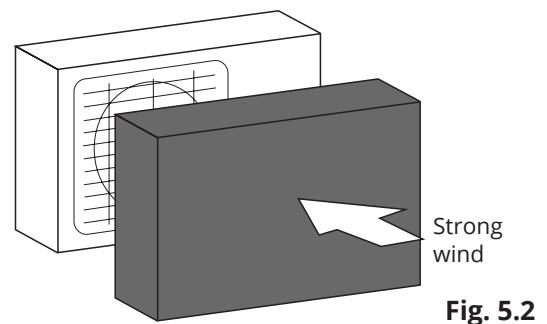


### Step 2: Install outdoor unit.

Fix the outdoor unit with anchor bolts (M10)



- ☑ The area must be free of combustible gases and chemicals.
- ☑ The pipe length between the outdoor and indoor unit may not exceed the maximum allowable pipe length.
- ☑ If possible, **DO NOT** install the unit where it is exposed to direct sunlight.
- ☑ If possible, make sure the unit is located far away from your neighbors' property so that the noise from the unit will not disturb them.
- ☑ If the location is exposed to strong winds (for example: near a seaside), the unit must be placed against the wall to shelter it from the wind. If necessary, use an awning. (See Fig. 5.1 & 5.2)
- ☑ Install the indoor and outdoor units, cables and wires at least 1 meter from televisions or radios to prevent static or image distortion. Depending on the radio waves, a 1 meter distance may not be enough to eliminate all interference.



## CAUTION

- Be sure to remove any obstacles that may block air circulation.
- Make sure you refer to Length Specifications to ensure there is enough room for installation and maintenance.

## Split Type Outdoor Unit

(Refer to Fig 5.4,5.5,5.6,5.10 and Table 5.1)

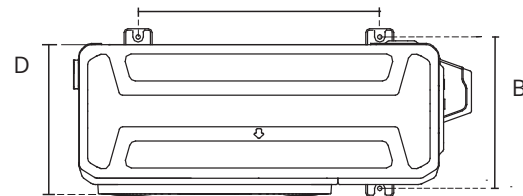
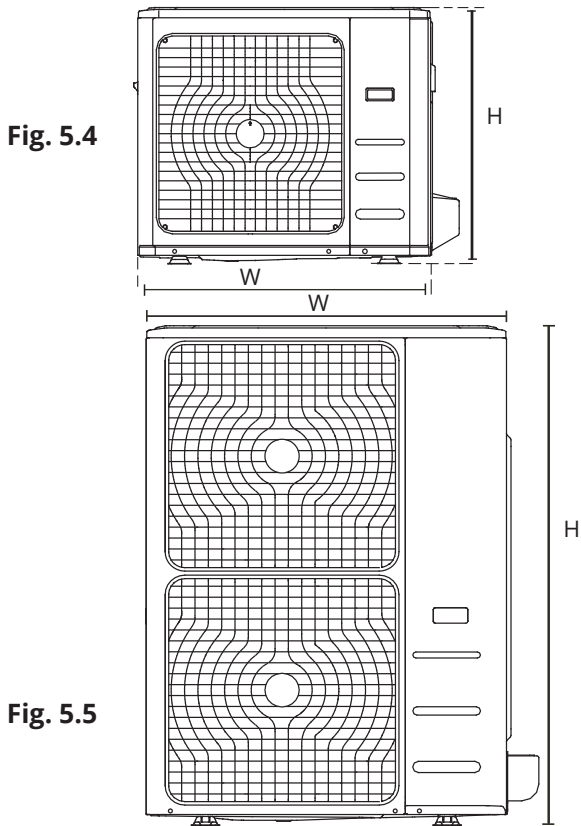


Fig. 5.6

**Table 5.1: Length Specifications of Split Type Outdoor Unit (unit: mm/inch)**

Outdoor Unit Dimensions WxHxD	Mounting Dimensions	
	Distance A	Distance B
760x590x285 (29.9x23.2x11.2)	530 (20.85)	290 (11.4)
810x558x310 (31.9x22x12.2)	549 (21.6)	325 (12.8)
845x700x320 (33.27x27.5x12.6)	560 (22)	335 (13.2)
900x860x315 (35.4x33.85x12.4)	590 (23.2)	333 (13.1)
945x810x395 (37.2x31.9x15.55)	640 (25.2)	405 (15.95)
990x965x345 (38.98x38x13.58)	624 (24.58)	366 (14.4)
938x1369x392 (36.93x53.9x15.43)	634 (24.96)	404 (15.9)
900x1170x350 (35.4x46x13.8)	590 (23.2)	378 (14.88)
800x554x333 (31.5x21.8x13.1)	514 (20.24)	340 (13.39)
845x702x363 (33.27x27.6x14.3)	540 (21.26)	350 (13.8)
946x810x420 (37.24x31.9x16.53)	673 (26.5)	403 (15.87)
946x810x410 (37.24x31.9x16.14)	673 (26.5)	403 (15.87)
952x1333x410 (37.5x52.5x16.14)	634 (24.96)	404 (15.9)
952x1333x415 (37.5x52.5x16.34)	634 (24.96)	404 (15.9)
890x673x342 (35x26.5x13.46)	663 (26.1)	354 (13.94)

**NOTE:** The minimum distance between the outdoor unit and walls described in the installation guide does not apply to airtight rooms. Be sure to keep the unit unobstructed in at least two of the three directions (M, N, P) (See Fig. 5.10)

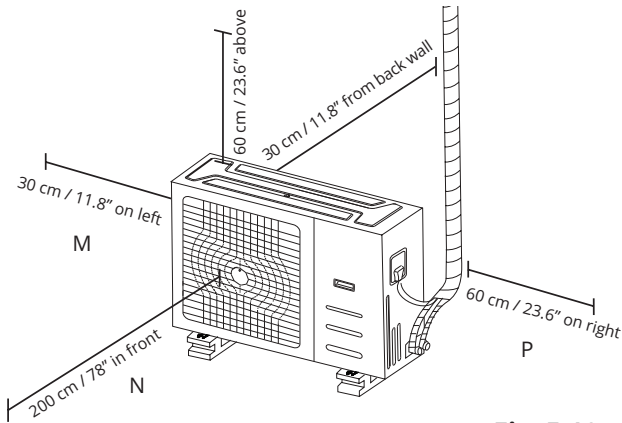


Fig. 5.10

2. Insert the drain joint into the hole in the base pan of the unit.
3. Rotate the drain joint 90° until it clicks in place facing the front of the unit.
4. Connect a drain hose extension (not included) to the drain joint to redirect water from the unit during heating mode.

If the drain joint doesn't come with a rubber seal (see Fig. 5.12 - B), do the following:

1. Insert the drain joint into the hole in the base pan of the unit. The drain joint will click in place.
2. Connect a drain hose extension (not included) to the drain joint to redirect water from the unit during heating mode.

**NOTE:** Make sure the water drains to a safe location where it will not cause water damage or a slipping hazard.

### Rows of series installation

Table 5.3 The relations between H, A and L are as follows.

	L	A
L ≤ H	L < 1/2H	25 cm / 9.8" or more
	1/2H < L < H	30 cm / 11.8" or more
L > H	Can not be installed	

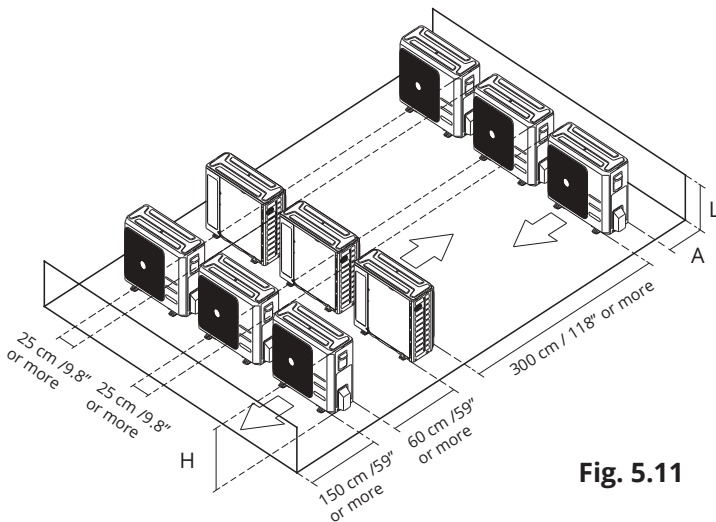


Fig. 5.11

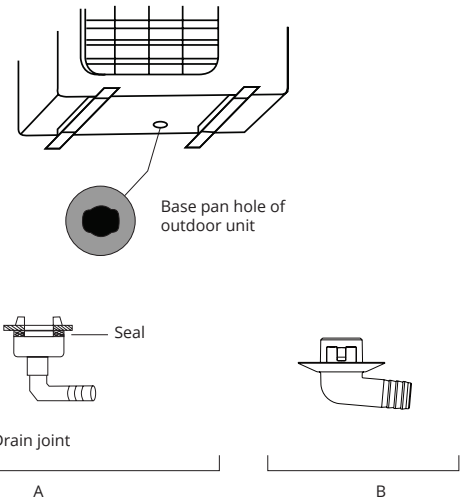


Fig. 5.12

### Drain Joint Installation

If the drain joint comes with a rubber seal (see Fig. 5.12 - A), do the following:

1. Fit the rubber seal on the end of the drain joint that will connect to the outdoor unit.

### Notes On Drilling Hole In Wall

You must drill a hole in the wall for the refrigerant piping, and the signal cable that will connect the indoor and outdoor units.

1. Determine the location of the wall hole based on the location of the outdoor unit.
2. Using a 65mm (2.5in) or 90mm (3.54in) core drill, drill a hole in the wall.

**NOTE:** When drilling the wall hole, make sure to avoid wires, plumbing, and other sensitive components.

3. Place the protective wall cuff in the hole. This protects the edges of the hole and will help seal it when you finish the installation process.

# Refrigerant Piping Connection

# 6

## Safety Precautions



### WARNING

- All field piping must be completed by a licensed technician and must comply with the local and national regulations.
- When the air conditioner is installed in a small room, measures must be taken to prevent the refrigerant concentration in the room from exceeding the safety limit in the event of refrigerant leakage. If the refrigerant leaks and its concentration exceeds its proper limit, hazards due to lack of oxygen may result.
- When installing the refrigeration system, ensure that air, dust, moisture or foreign substances do not enter the refrigerant circuit. Contamination in the system may cause poor operating capacity, high pressure in the refrigeration cycle, explosion or injury.
- Ventilate the area immediately if there is refrigerant leakage during the installation. Leaked refrigerant gas is both toxic and flammable. Ensure there is no refrigerant leakage after completing the installation work.

## Notes On Pipe Length and Elevation

Ensure that the length of the refrigerant pipe, the number of bends, and the drop height between the indoor and outdoor units meets the requirements shown in Table 7.1:

**Table 7.1: The Maximum Length And Drop Height Based on Models (Unit: m/ft.)**

Type of model	Capacity (Btu/h)	Length of piping	Maximum drop height
North America, Australia and the eu frequency conversion Split Type	<15K	25/82	10/32.8
	>15K-<24K	30/98.4	20/65.6
	>24K-<36K	50/164	25/82
	>36K-<60K	65/213	30/98.4
Other Split Type	12K	15/49	8/26
	18K-24K	25/82	15/49
	30K-36K	30/98.4	20/65.6
	42K-60K	50/164	30/98.4

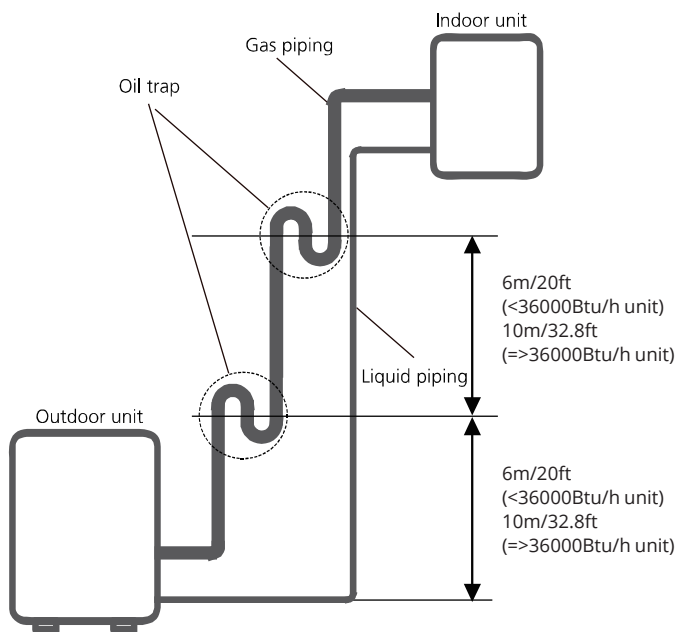
## ! CAUTION

- Oil traps

-If oil flows back into the outdoor unit's compressor, this might cause liquid compression or deterioration of oil return. Oil traps in the rising gas piping can prevent this.

An oil trap should be installed every 6m (20ft) or 10m (32.8ft) of vertical suction line riser.

(See Fig. 7.2)



**Fig. 7.2**

## Refrigerant Piping Connection Instructions

### CAUTION

- The branching pipe must be installed horizontally. An angle of more than 10° may cause malfunction.
- **DO NOT** install the connecting pipe until both indoor and outdoor units have been installed.
- Insulate both the gas and liquid piping to prevent water leakage.

### Step 1: Cut pipes

When preparing refrigerant pipes, take extra care to cut and flare them properly. This will ensure efficient operation and minimize the need for future maintenance.

1. Measure the distance between the indoor and outdoor units.
2. Using a pipe cutter, cut the pipe a little longer than the measured distance.

### CAUTION

**DO NOT** deform pipe while cutting. Be extra careful not to damage, dent, or deform the pipe while cutting. This will drastically reduce the heating efficiency of the unit.

1. Make sure that the pipe is cut at a perfect 90° angle. Refer to Fig. 7.4 for examples of bad cuts

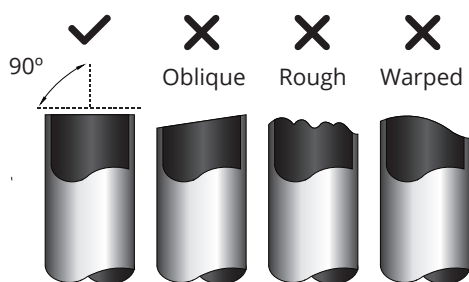


Fig. 7.4

### Step 2: Remove burrs.

Burrs can affect the air-tight seal of refrigerant piping connection. They must be completely removed.

1. Hold the pipe at a downward angle to prevent burrs from falling into the pipe.
2. Using a reamer or deburring tool, remove all burrs from the cut section of the pipe.

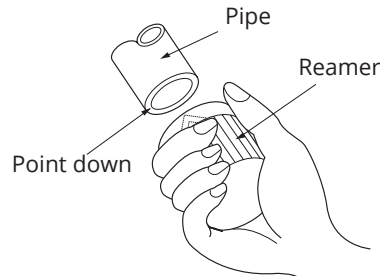


Fig. 7.5

### Step 3: Flare pipe ends

Proper flaring is essential to achieve an airtight seal.

1. After removing burrs from cut pipe, seal the ends with PVC tape to prevent foreign materials from entering the pipe.
2. Sheath the pipe with insulating material.
3. Place flare nuts on both ends of pipe. Make sure they are facing in the right direction, because you can't put them on or change their direction after flaring. See Fig. 7.6

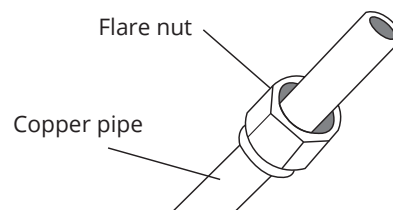


Fig. 7.6

4. Remove PVC tape from ends of pipe when ready to perform flaring work.
5. Clamp flare form on the end of the pipe. The end of the pipe must extend beyond the flare form.

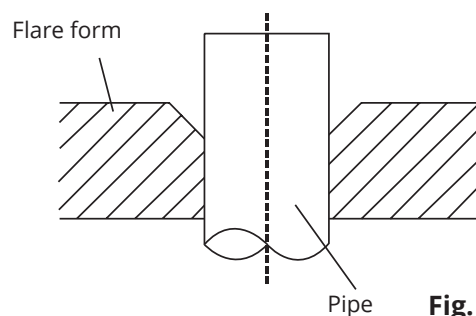


Fig. 7.7

- Place flaring tool onto the form.
- Turn the handle of the flaring tool clockwise until the pipe is fully flared. Flare the pipe in accordance with the dimensions shown in table 7.3.

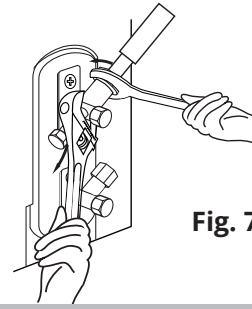


Fig. 7.10

**Table 7.3: PIPING EXTENSION BEYOND FLARE FORM**

Pipe gauge	Tightening torque	Flare dimension (A) (Unit: mm/inch)		Flare shape
		Min.	Max.	
Ø 6.4	18-20 N.m (183-204 kgf.cm)	8.4/0.33	8.7/0.34	<p>Fig. 7.8</p>
Ø 9.5	25-26 N.m (255-265 kgf.cm)	13.2/0.52	13.5/0.53	
Ø 12.7	35-36 N.m (357-367 kgf.cm)	16.2/0.64	16.5/0.65	
Ø 15.9	45-47 N.m (459-480 kgf.cm)	19.2/0.76	19.7/0.78	
Ø 19.1	65-67 N.m (663-683 kgf.cm)	23.2/0.91	23.7/0.93	
Ø 22	75-85 N.m (765-867 kgf.cm)	26.4/1.04	26.9/1.06	

- Remove the flaring tool and flare form, then inspect the end of the pipe for cracks and even flaring.

#### Step 4: Connect pipes

Connect the copper pipes to the indoor unit first, then connect it to the outdoor unit. You should first connect the low-pressure pipe, then the high-pressure pipe.

- When connecting the flare nuts, apply a thin coat of refrigeration oil to the flared ends of the pipes.
- Align the center of the two pipes that you will connect.

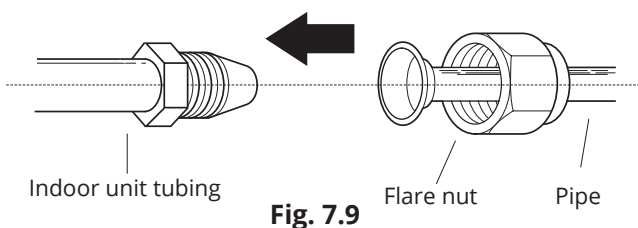


Fig. 7.9

- Tighten the flare nut as tightly as possible by hand.
- Using a spanner, grip the nut on the unit tubing.
- While firmly gripping the nut, use a torque wrench to tighten the flare nut according to the torque values in table 7.5.

**NOTE:** Use both a spanner and a torque wrench when connecting or disconnecting pipes to/from the unit.

### CAUTION

- Ensure to wrap insulation around the piping. Direct contact with the bare piping may result in burns or frostbite.
- Make sure the pipe is properly connected. Over tightening may damage the bell mouth and under tightening may lead to leakage.

### NOTE ON MINIMUM BEND RADIUS

Carefully bend the tubing in the middle according to the diagram below. DO NOT bend the tubing more than 90° or more than 3 times.

Bend the pipe with thumb

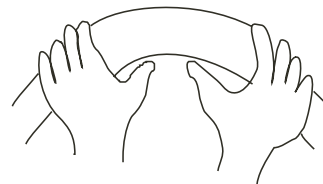


Fig. 7.11

min-radius 10cm (3.9")

- After connecting the copper pipes to the indoor unit, wrap the power cable, signal cable and the piping together with binding tape.

**NOTE: DO NOT** intertwine signal cable with other wires. While bundling these items together, do not intertwine or cross the signal cable with any other wiring.

- Thread this pipeline through the wall and connect it to the outdoor unit.
- Insulate all the piping, including the valves of the outdoor unit.
- Open the stop valves of the outdoor unit to start the flow of the refrigerant between the indoor and outdoor unit.

### CAUTION

Check to make sure there is no refrigerant leak after completing the installation work. If there is a refrigerant leak, ventilate the area immediately and evacuate the system (refer to the Air Evacuation section of this manual).



# Wiring

# 7

## Safety Precautions



### WARNING

- Be sure to disconnect the power supply before working on the unit.
- All electrical wiring must be done according to local and national regulations.
- Electrical wiring must be done by a qualified technician. Improper connections may cause electrical malfunction, injury and fire.
- An independent circuit and single outlet must be used for this unit. DO NOT plug another appliance or charger into the same outlet. If the electrical circuit capacity is not enough or there is a defect in the electrical work, it can lead to shock, fire, unit and property damage.
- Connect the power cable to the terminals and fasten it with a clamp. An insecure connection may cause fire.
- Make sure that all wiring is done correctly and the control board cover is properly installed. Failure to do so can cause overheating at the connection points, fire, and electrical shock.
- Ensure that main supply connection is made through a switch that disconnects all poles, with contact gap of a least 3mm (0.118").
- DO NOT modify the length of the power cord or use an extension cord.



### CAUTION

- Connect the outdoor wires before connecting the indoor wires.
- Make sure you ground the unit. The grounding wire should be away from gas pipes, water pipes, lightning rods, telephone or other grounding wires. Improper grounding may cause electrical shock.
- DO NOT connect the unit with the power source until all wiring and piping is completed.
- Make sure that you do not cross your electrical wiring with your signal wiring, as this can cause distortion and interference.

Follow these instructions to prevent distortion when the compressor starts:

- The unit must be connected to the main outlet. Normally, the power supply must have a low output impedance of 32 ohms.
- No other equipment should be connected to the same power circuit.
- The unit's power information can be found on the rating sticker on the product.

## TAKE NOTE OF FUSE SPECIFICATIONS

The air conditioner's circuit board(PCB) is designed with a fuse to provide overcurrent protection. The specifications of the fuse are printed on the circuit board, such as:

**Indoor unit:** T5A/250VAC,T10A/250VAC. (applicable for unit adopts R32 refrigerant)

**Outdoor unit:** T20A/250VAC(for <24000Btu/h unit),T30A/250VAC(for >24000Btu/h unit)

**NOTE:** The fuse is made of ceramic.

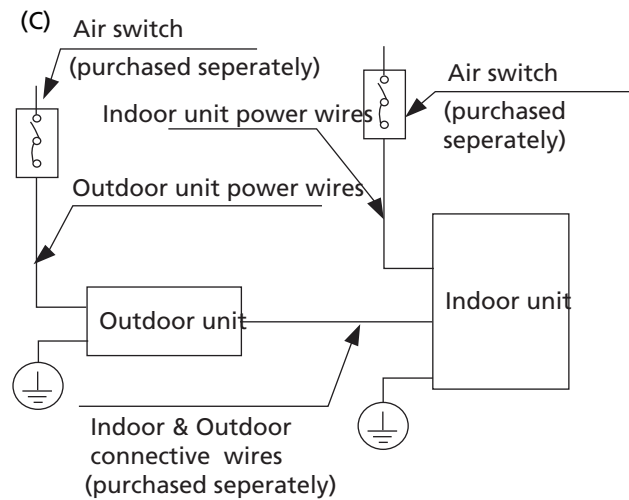
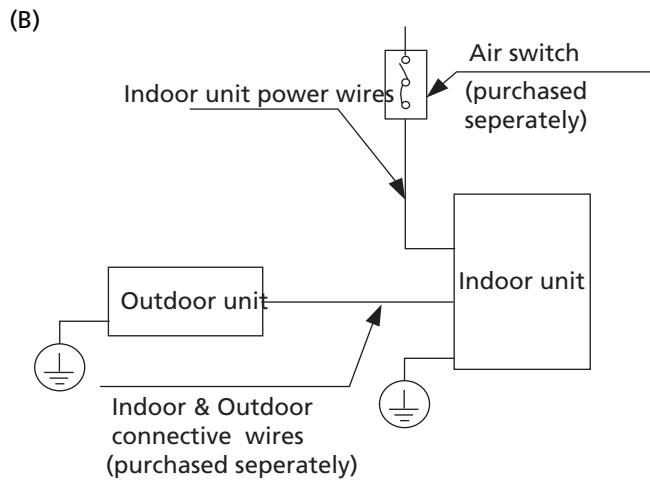
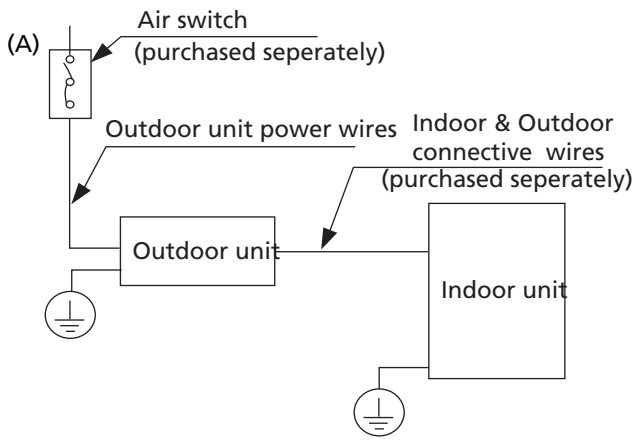
## NOTE ON AIR SWITCH

When the maximum current of the air conditioner is more than 16A, an air switch or leakage protection switch with protective device shall be used(purchased separately) .

When the maximum current of the air conditioner is less than 16A, the power cord of air conditioner shall be equipped with plug (purchased separately).

In North America, the appliance should be wired according to NEC and CEC requirements.





**NOTE:** The cographs are for explanation purpose only. Your machine may be slightly different. The actual shape shall prevail.

## Outdoor Unit Wiring



### WARNING

Before performing any electrical or wiring work, turn off the main power to the system.

1. Prepare the cable for connection
  - a. You must first choose the right cable size before preparing it for connection. Be sure to use H07RN-F cables.

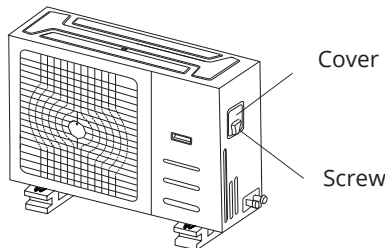
## Minimum Cross-Sectional Area of Power and Signal Cables (For reference)

Rated Current of Appliance (A)	Nominal Cross-Sectional Area (mm <sup>2</sup> )
>3 and ≤6	0.75
>6 and ≤10	1
>10 and ≤16	1.5
>16 and ≤25	2.5
>25 and ≤32	4
>32 and ≤40	6

- b. Using wire strippers, strip the rubber jacket from both ends of a signal cable to reveal about 15cm (5.9") of the wires inside.
- c. Strip the insulation from the ends of the wires.
- d. Using a wire crimper, crimp u-lugs on the ends of the wires.

**NOTE:** While connecting the wires, strictly follow the wiring diagram (found inside the electrical box cover).

2. Remove the electric cover of the outdoor unit. If there is no cover on the outdoor unit, disassemble the bolts from the maintenance board and remove the protection board.

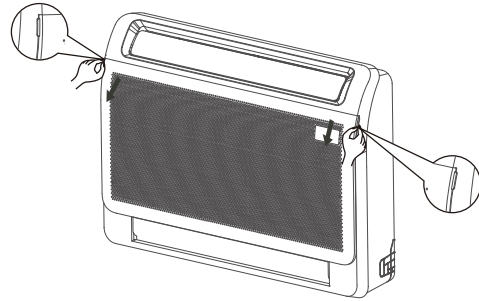


3. Connect the u-lugs to the terminals. Match the wire colors/labels with the labels on the terminal block and firmly screw the u-lug of each wire to its corresponding terminal.
4. Clamp down the cable with the designated cable clamp.
5. Insulate unused wires with electrical tape. Keep them away from any electrical or metal parts.
6. Reinstall the cover of the electric control box.

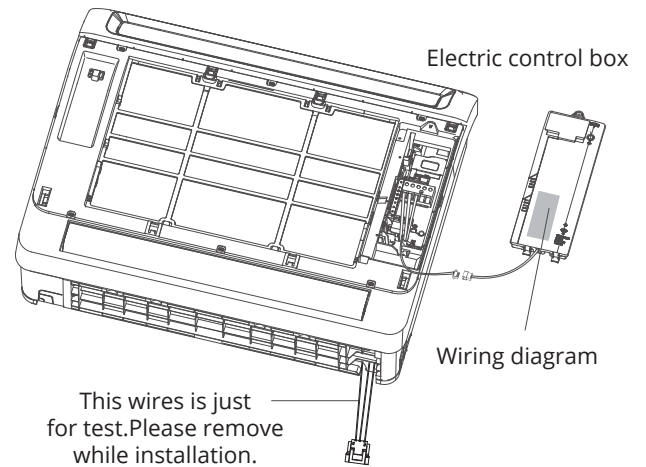
### Indoor Unit Wiring

1. Prepare the cable for connection
  - a. Using wire strippers, strip the rubber jacket from both ends of a signal cable to reveal about 15cm (5.9") of the wires inside.
  - b. Strip the insulation from the ends of the wires.

- c. Using a wire crimper, crimp the u-lugs to the ends of the wires.
2. Pull the left and right handles of the front panel, pull the panel outward, and open the panel.

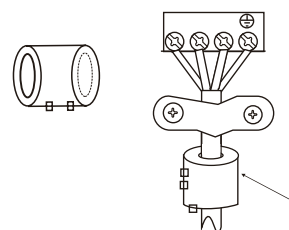


3. Thread the power cable and the signal cable through the wire outlet.
4. Connect the u-lugs to the terminals. Match the wire colors/labels with the labels on the terminal block and firmly screw the u-lug of each wire to its corresponding terminal. Refer to the Serial Number and Wiring Diagram located on the cover of the electric control box.



**NOTE:** When taking out the electric control box, pay attention to loosen and remove the terminal.

Magnetic ring (if supplied and packed with the accessories)



Pass the belt through the hole of the Magnetic ring to fix it on the cable



## CAUTION

- While connecting the wires, please strictly follow the wiring diagram.
- The refrigerant circuit can become very hot. Keep the interconnection cable away from the copper tube.

5. Clamp down the cable with the designated cable clamp to secure it in place. The cable should not be loose and should not pull on the u-lugs.

6. Reattach the electric box cover.

## Power Specifications

**NOTE:** Electric auxiliary heating type circuit breaker/fuse need to add more than 10 A.

MODEL(Btu/h)		<16K	16K~18K
POWER	PHASE	1 Phase	1 Phase
	FREQUENCY AND VOLT	220-240V~, 50Hz/60Hz	220-240V~, 50Hz/60Hz
CIRCUIT BREAKER/FUSE(A)		20/16	20/16
INDOOR UNIT POWER WIRING(mm <sup>2</sup> )		—	—
INDOOR/OUDOOR CONNECTING WIRING(mm <sup>2</sup> )	OUTDOOR UNIT POWER WIRING	3x1.5	3x2.5
	STRONG ELECTRIC SIGNAL	4x1.0	4x1.0
	WEAK ELECTRIC SIGNAL	—	—
	GROUND WIRING	1.5	2.5

# Air Evacuation

# 8

## Safety Precautions

### CAUTION

- Use a vacuum pump with a gauge reading lower than -0.1 MPa and an air discharge capacity above 40L/min.
- The outdoor unit does not need vacuuming. **DO NOT** open the outdoor unit's gas and liquid stop valves.
- Ensure that the Compound Meter reads -0.1 MPa or below after 2 hours. If after three hours of operation and the gauge reading is still above -0.1 MPa, check if there is a gas leak or water inside the pipe. If there is no leakage, perform another evacuation for 1 or 2 hours.
- **DO NOT** use refrigerant gas to evacuate the system.

## Evacuation Instructions

Before using a manifold gauge and a vacuum pump, read their operation manuals to make sure you know how to use them properly.

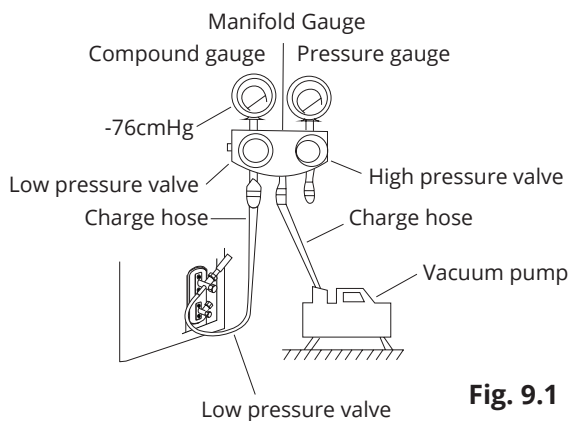


Fig. 9.1

1. Connect the manifold gauge's charge hose to the service port on the outdoor unit's low pressure valve.
2. Connect the manifold gauge's charge hose from the to the vacuum pump.
3. Open the Low Pressure side of the manifold gauge.Keep the High Pressure side closed.

4. Turn on the vacuum pump to evacuate the system.
5. Run the vacuum for at least 15 minutes, or until the Compound Meter reads -76cmHG (-1x105Pa).
6. Close the manifold gauge's Low Pressure valve and turn off the vacuum pump.
7. Wait for 5 minutes, then check that there has been no change in system pressure.

**NOTE:** If there is no change in system pressure, unscrew the cap from the packed valve (high pressure valve). If there is a change in system pressure, there may be a gas leak.

8. Insert hexagonal wrench into the packed valve (high pressure valve) and open the valve by turning the wrench 1/4 counterclockwise. Listen for gas to exit the system, then close the valve after 5 seconds.

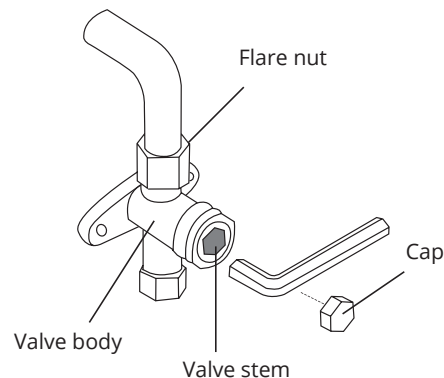


Fig. 9.2

9. Watch the Pressure Gauge for one minute to make sure that there is no change in pressure. It should read slightly higher than the atmospheric pressure.
10. Remove the charge hose from the service port.
11. Using hexagonal wrench, fully open both the high pressure and low pressure valves.

### OPEN VALVE STEMS GENTLY

When opening valve stems, turn the hexagonal wrench until it hits against the stopper. **DO NOT** try to force the valve to open further.

12. Tighten valve caps by hand, then tighten it using the proper tool.

## Note On Adding Refrigerant



### CAUTION

- Refrigerant charging must be performed after wiring, vacuuming, and the leak testing.
- **DO NOT** exceed the maximum allowable quantity of refrigerant or overcharge the system. Doing so can damage the unit or impact its functioning.
- Charging with unsuitable substances may cause explosions or accidents. Ensure that the appropriate refrigerant is used.
- Refrigerant containers must be opened slowly. Always use protective gear when charging the system.
- **DO NOT** mix refrigerants types.
- For the R290 or R32 refrigerant model, make sure the conditions within the area have been made safe by control of flammable material when the refrigerant added into air conditioner.

Some systems require additional charging depending on pipe lengths. The standard pipe length varies according to local regulations. For example, in North America, the standard pipe length is 7.5m (25') In other areas, the standard pipe length is 5m (16'). The additional refrigerant to be charged can be calculated using the following formula:

#### Liquid Side Diameter

	$\phi 6.35(1/4")$	$\phi 9.52(3/8")$	$\phi 12.7(1/2")$
<b>R32 :</b>	(Total pipe length - standard pipe length) x 12g(0.13oz)/m(ft)	(Total pipe length - standard pipe length) x 24g(0.26oz)/m(ft)	(Total pipe length - standard pipe length) x 40g(0.42oz)/m(ft)

# Test Run

# 9

## Before Test Run

A test run must be performed after the entire system has been completely installed. Confirm the following points before performing the test:

- a) Indoor and outdoor units are properly installed.
- b) Piping and wiring are properly connected.
- c) No obstacles near the inlet and outlet of the unit that might cause poor performance or product malfunction.
- d) Refrigeration system does not leak.
- e) Drainage system is unimpeded and draining to a safe location.
- f) Heating insulation is properly installed.
- g) Grounding wires are properly connected.
- h) Length of the piping and additional refrigerant stow capacity have been recorded.
- i) Power voltage is the correct voltage for the air conditioner.



## CAUTION

Failure to perform the test run may result in unit damage, property damage, or personal injury.

## Test Run Instructions

1. Open both the liquid and gas stop valves.
2. Turn on the main power switch and allow the unit to warm up.
3. Set the air conditioner to COOL mode.
4. For the Indoor Unit
  - a. Ensure the remote control and its buttons work properly.
  - b. Ensure the louvers move properly and can be changed using the remote control.
  - c. Double check to see if the room temperature is being registered correctly.
  - d. Ensure the indicators on the remote control and the display panel on the indoor unit work properly.
  - e. Ensure the manual buttons on the indoor unit works properly.

- f. Check to see that the drainage system is unimpeded and draining smoothly.
  - g. Ensure there is no vibration or abnormal noise during operation.
5. For the Outdoor Unit
    - a. Check to see if the refrigeration system is leaking.
    - b. Make sure there is no vibration or abnormal noise during operation.
    - c. Ensure the wind, noise, and water generated by the unit do not disturb your neighbors or pose a safety hazard.
  6. Drainage Test
    - a. Ensure the drainpipe flows smoothly. New buildings should perform this test before finishing the ceiling.
    - b. Remove the test cover. Add 2,000ml of water to the tank through the attached tube.
    - c. Turn on the main power switch and run the air conditioner in COOL mode.
    - d. Listen to the sound of the drain pump to see if it makes any unusual noises.
    - e. Check to see that the water is discharged. It may take up to one minute before the unit begins to drain depending on the drainpipe.
    - f. Make sure that there are no leaks in any of the piping.
    - g. Stop the air conditioner. Turn off the main power switch and reinstall the test cover.

**NOTE:** If the unit malfunctions or does not operate according to your expectations, please refer to the Troubleshooting section of the Owner's Manual before calling customer service.

## European Disposal Guidelines

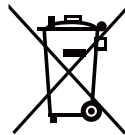
10

Users in European Countries may be required to properly dispose of this unit. This appliance contains refrigerant and other potentially hazardous materials. When disposing of this appliance, the law requires special collection and treatment. DO NOT dispose of this product as household waste or unsorted municipal waste.

When disposing of this appliance, you have the following options:

- Dispose of the appliance at designated municipal electronic waste collection facility.
- When buying a new appliance, the retailer will take back the old appliance free of charge.
- The manufacturer will also take back the old appliance free of charge.
- Sell the appliance to certified scrap metal dealers.

**NOTE:** Disposing of this appliance in the forest or other natural surroundings endangers your health and is bad for the environment. Hazardous substances may leak into the ground water and enter the food chain.



# Information Servicing

(Required for the units adopt R32/R290 Refrigerant only)

11

## 1. Checks to the area

Prior to beginning work on systems containing flammable refrigerants, safety checks are necessary to ensure that the risk of ignition is minimised. For repair to the refrigerating system, the following precautions shall be complied with prior to conducting work on the system.

## 2. Work procedure

Works shall be undertaken under a controlled procedure so as to minimise the risk of a flammable gas or vapour being present while the work is being performed.

## 3. General work area

All maintenance staff and others working in the local area shall be instructed on the nature of work being carried out. Work in confined spaces shall be avoided. The area around the work space shall be sectioned off. Ensure that the conditions within the area have been made safe by control of flammable material.

## 4. Checking for presence of refrigerant

The area shall be checked with an appropriate refrigerant detector prior to and during work, to ensure the technician is aware of potentially flammable atmospheres. Ensure that the leak detection equipment being used is suitable for use with flammable refrigerants, i.e. no sparking, adequately sealed or intrinsically safe.

## 5. Presence of fire extinguisher

If any hot work is to be conducted on the refrigeration equipment or any associated parts, appropriate fire extinguishing equipment shall be available to hand. Have a dry power or CO<sub>2</sub> fire extinguisher adjacent to the charging area.

## 6. No ignition sources

No person carrying out work in relation to a refrigeration system which involves exposing any pipe work that contains or has contained flammable refrigerant shall use any sources of ignition in such a manner that it may lead to the risk of fire or explosion. All possible ignition sources, including cigarette smoking, should be kept sufficiently far away from the site of installation, repairing, removing and disposal, during which flammable refrigerant can possibly be released to the surrounding space. Prior to work taking place, the area around the equipment is to be surveyed to make sure that there are no flammable hazards or ignition risks. "NO SMOKING" signs shall be displayed.

## 7. Ventilated area

Ensure that the area is in the open or that it is adequately ventilated before breaking into the system or conducting any hot work. A degree of ventilation shall continue during the period that the work is carried out. The ventilation should safely disperse any released refrigerant and preferably expel it externally into the atmosphere.

## 8. Checks to the refrigeration equipment

Where electrical components are being changed, they shall be fit for the purpose and to the correct specification. At all times the manufacturer's maintenance and service guidelines shall be followed.

If in doubt consult the manufacturer's technical department for assistance. The following checks shall be applied to installations using flammable refrigerants:



- the charge size is in accordance with the room size within which the refrigerant containing parts are installed;
- the ventilation machinery and outlets are operating adequately and are not obstructed;
- if an indirect refrigerating circuit is being used, the secondary circuits shall be checked for the presence of refrigerant; marking to the equipment continues to be visible and legible.
- marking and signs that are illegible shall be corrected;
- refrigeration pipe or components are installed in a position where they are unlikely to be exposed to any substance which may corrode refrigerant containing components, unless
- the components are constructed of materials which are inherently resistant to being
- corroded or are suitably protected against being so corroded.

## 9. Checks to electrical devices

Repair and maintenance to electrical components shall include initial safety checks and component inspection procedures. If a fault exists that could compromise safety, then no electrical supply shall be connected to the circuit until it is satisfactorily dealt with. If the fault cannot be corrected immediately but it is necessary to continue operation, and adequate temporary solution shall be used. This shall be reported to the owner of the equipment so all parties are advised.

Initial safety checks shall include:

- that capacitors are discharged: this shall be done in a safe manner to avoid possibility of sparking
- that there no live electrical components and wiring are exposed while charging, recovering or purging the system;
- that there is continuity of earth bonding.

## 10. Repairs to sealed components

10.1 During repairs to sealed components, all electrical supplies shall be disconnected from the equipment being worked upon prior to any removal of sealed covers, etc. If it is absolutely necessary to have an electrical supply to equipment during servicing, then a permanently operating form of leak detection shall be located at the most critical point to warn of a potentially hazardous situation.

10.2 Particular attention shall be paid to the following to ensure that by working on electrical components, the casing is not altered in such a way that the level of protection is affected. This shall include damage to cables, excessive number of connections, terminals not made to original specification, damage to seals, incorrect fitting of glands, etc.

- Ensure that apparatus is mounted securely.
- Ensure that seals or sealing materials have not degraded such that they no longer serve the purpose of preventing the ingress of flammable atmospheres. Replacement parts shall be in accordance with the manufacturer's specifications.

**NOTE:** The use of silicon sealant may inhibit the effectiveness of some types of leak detection equipment. Intrinsically safe components do not have to be isolated prior to working on them.

## 11. Repair to intrinsically safe components

Do not apply any permanent inductive or capacitance loads to the circuit without ensuring that this will not exceed the permissible voltage and current permitted for the equipment in use. Intrinsically safe components are the only types that can be worked on while live in the presence of a flammable atmosphere. The test apparatus shall be at the correct rating.

Replace components only with parts specified by the manufacturer. Other parts may result in the ignition of refrigerant in the atmosphere from a leak.

## 12. Cabling

Check that cabling will not be subject to wear, corrosion, excessive pressure, vibration, sharp edges or any other adverse environmental effects. The check shall also take into account the effects of aging or continual vibration from sources such as compressors or fans.

## 13. Detection of flammable refrigerants

Under no circumstances shall potential sources of ignition be used in the searching for or detection of refrigerant leaks. A halide torch (or any other detector using a naked flame) shall not be used.

## 14. Leak detection methods

The following leak detection methods are deemed acceptable for systems containing flammable refrigerants. Electronic leak detectors shall be used to detect flammable refrigerants, but the sensitivity may not be adequate, or may need re-calibration. (Detection equipment shall be calibrated in a refrigerant-free area.) Ensure that the detector is not a potential source of ignition and is suitable for the refrigerant. Leak detection equipment shall be set at a percentage of the LFL of the refrigerant and shall be calibrated to the refrigerant employed and the appropriate percentage of gas (25% maximum) is confirmed. Leak detection fluids are suitable for use with most refrigerants but the use of detergents containing chlorine shall be avoided as the chlorine may react with the refrigerant and corrode the copper pipe-work.

If a leak is suspected, all naked flames shall be removed or extinguished. If a leakage of refrigerant is found which requires brazing, all of the refrigerant shall be recovered from the system, or isolated (by means of shut off valves) in a part of the system remote from the leak. Oxygen free nitrogen (OFN) shall then be purged through the system both before and during the brazing process.

## 15. Removal and evacuation

When breaking into the refrigerant circuit to make repairs or for any other purpose conventional procedures shall be used. However, it is important that best practice is followed since flammability is a consideration. The following procedure shall be adhered to:

- remove refrigerant;
- purge the circuit with inert gas;
- evacuate;
- purge again with inert gas;
- open the circuit by cutting or brazing.

The refrigerant charge shall be recovered into the correct recovery cylinders. The system shall be flushed with OFN to render the unit safe. This process may need to be repeated several times. Compressed air or oxygen shall not be used for this task.

Flushing shall be achieved by breaking the vacuum in the system with OFN and continuing to fill until the working pressure is achieved, then venting to atmosphere, and finally pulling down to a vacuum. This process shall be repeated until no refrigerant is within the system.

When the final OFN charge is used, the system shall be vented down to atmospheric pressure to enable work to take place. This operation is absolutely vital if brazing operations on the pipe-work are to take place.

Ensure that the outlet for the vacuum pump is not closed to any ignition sources and there is ventilation available.

## 16. Charging procedures

In addition to conventional charging procedures, the following requirements shall be followed:

- Ensure that contamination of different refrigerants does not occur when using charging equipment. Hoses or lines shall be as short as possible to minimize the amount of refrigerant contained in them.
- Cylinders shall be kept upright.
- Ensure that the refrigeration system is earthed prior to charging the system with refrigerant.
- Label the system when charging is complete (if not already).
- Extreme care shall be taken not to overfill the refrigeration system.
- Prior to recharging the system it shall be pressure tested with OFN. The system shall be leak tested on completion of charging but prior to commissioning. A follow up leak test shall be carried out prior to leaving the site.

## 17. Decommissioning

Before carrying out this procedure, it is essential that the technician is completely familiar with the equipment and all its detail. It is recommended good practice that all refrigerants are recovered safely. Prior to the task being carried out, an oil and refrigerant sample shall be taken.

In case analysis is required prior to re-use of reclaimed refrigerant. It is essential that electrical power is available before the task is commenced.

- a) Become familiar with the equipment and its operation.
- b) Isolate system electrically
- c) Before attempting the procedure ensure that:
  - mechanical handling equipment is available, if required, for handling refrigerant cylinders;
  - all personal protective equipment is available and being used correctly;
  - the recovery process is supervised at all times by a competent person;
  - recovery equipment and cylinders conform to the appropriate standards.
- d) Pump down refrigerant system, if possible.
- e) If a vacuum is not possible, make a manifold so that refrigerant can be removed from various parts of the system.
- f) Make sure that cylinder is situated on the scales before recovery takes place.
- g) Start the recovery machine and operate in accordance with manufacturer's instructions.
- h) Do not overfill cylinders. (No more than 80% volume liquid charge).
- i) Do not exceed the maximum working pressure of the cylinder, even temporarily.
- j) When the cylinders have been filled correctly and the process completed, make sure that the cylinders and the equipment are removed from site promptly and all isolation valves on the equipment are closed off.
- k) Recovered refrigerant shall not be charged into another refrigeration system unless it has been cleaned and checked.

## 18. Labelling

Equipment shall be labelled stating that it has been de-commissioned and emptied of refrigerant. The label shall be dated and signed. Ensure that there are labels on the equipment stating the equipment contains flammable refrigerant.

## 19. Recovery

- When removing refrigerant from a system, either for service or decommissioning, it is recommended good practice that all refrigerants are removed safely.
- When transferring refrigerant into cylinders, ensure that only appropriate refrigerant recovery cylinders are employed. Ensure that the correct numbers of cylinders for holding the total system charge are available. All cylinders to be used are designated for the recovered refrigerant and labelled for that refrigerant (i.e. special cylinders for the recovery of refrigerant). Cylinders shall be complete with pressure relief valve and associated shut-off valves in good working order.
- Empty recovery cylinders are evacuated and, if possible, cooled before recovery occurs.
- The recovery equipment shall be in good working order with a set of instructions concerning the equipment that is at hand and shall be suitable for the recovery of flammable refrigerants. In addition, a set of calibrated weighing scales shall be available
- and in good working order.
- Hoses shall be complete with leak-free disconnect couplings and in good condition. Before using the recovery machine, check that it is in satisfactory working order, has been properly maintained and that any associated electrical components are sealed to prevent ignition in the event of a refrigerant release. Consult manufacturer if in doubt.
- The recovered refrigerant shall be returned to the refrigerant supplier in the correct recovery cylinder, and the relevant Waste Transfer Note arranged. Do not mix refrigerants in recovery units and especially not in cylinders.
- If compressors or compressor oils are to be removed, ensure that they have been evacuated to an acceptable level to make certain that flammable refrigerant does not remain within the lubricant. The evacuation process shall be carried out prior to re-truning the compressor to the suppliers. Only electric heating to the compressor body shall be employed to accelerate this process. When oil is drained from a system, it shall be carried out safely.

## 20. Transportation, marking and storage for units

1. Transport of equipment containing flammable refrigerants Compliance with the transport regulations
2. Marking of equipment using signs Compliance with local regulations
3. Disposal of equipment using flammable refrigerants Compliance with national regulations
4. Storage of equipment/appliances

The storage of equipment should be in accordance with the manufacturer's instructions.

5. Storage of packed (unsold) equipment

Storage package protection should be constructed such that mechanical damage to the equipment inside the package will not cause a leak of the refrigerant charge.

The maximum number of pieces of equipment permitted to be stored together will be determined by local regulations.

---

All the pictures in the manual are for explanatory purposes only. The actual shape of the unit you purchased may be slightly different, but the operations and functions are the same. The company may not be held responsible for any misprinted information. The design and the specifications of the product for reasons, such as product improvement, are subject to change without any prior notice. Please consult with the manufacturer at +30 211 300 3300 or with the Local Distributor for further details.

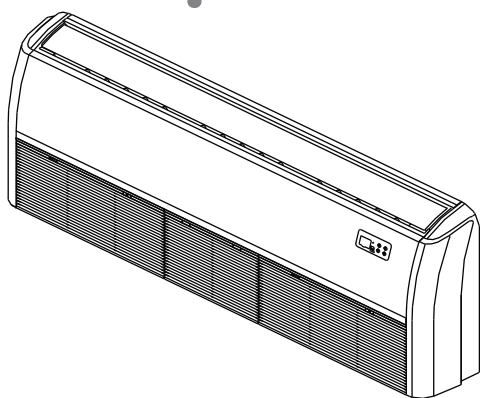
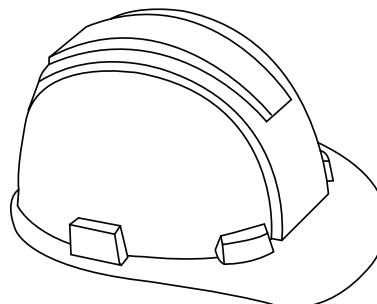


Scan here to download the latest version of this manual.  
[www.inventorairconditioner.com/media-library](http://www.inventorairconditioner.com/media-library)

# Περιεχόμενα

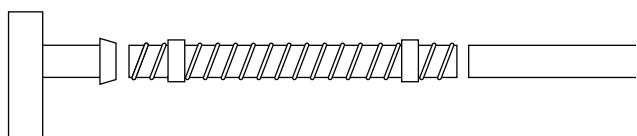
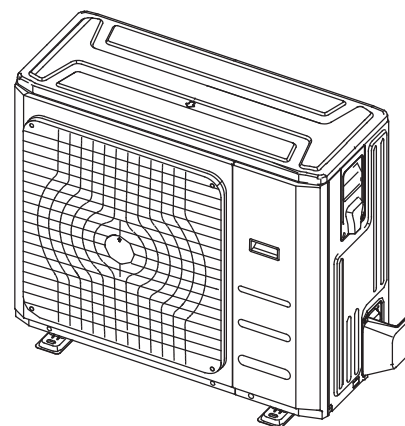
## Εγχειρίδιο Εγκατάστασης

<b>1</b>	Εξαρτήματα .....	04
<b>2</b>	Προφυλάξεις Ασφαλείας .....	06
<b>3</b>	Επισκόπηση Εγκατάστασης.....	12



<b>4</b>	Εγκατάσταση Εσωτερικής μονάδας.....	13
	α. Μέρη εσωτερικής μονάδας .....	13
	β. Οδηγίες εγκατάστασης εσωτερικής μονάδας.....	14

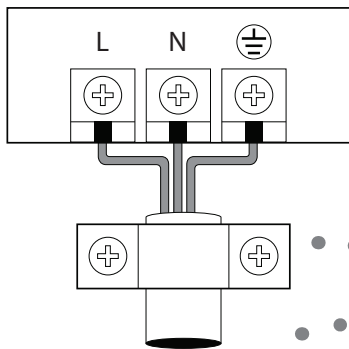
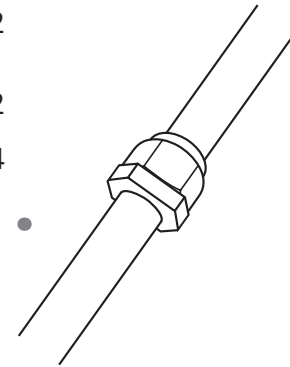
<b>5</b>	Εγκατάσταση Εξωτερικής μονάδας.....	19
	α. Οδηγίες εγκατάστασης εξωτερικής μονάδας .....	19
	β. Τοποθέτηση συνδέσμου αποχέτευσης .....	21
	γ. Σημειώσεις για τη διάτρηση σε τοίχους.....	21



**6** Συνδέσεις σωληνώσεων ψυκτικού μέσου .....22

α. Σημειώσεις για το μήκος και το ύψος των σωλήνων..... 22

β. Οδηγίες σύνδεσης σωλήνων ψυκτικού υγρού.....24



**7** Καλωδίωση .....26

α. Καλωδίωση εξωτερικής μονάδας .....27

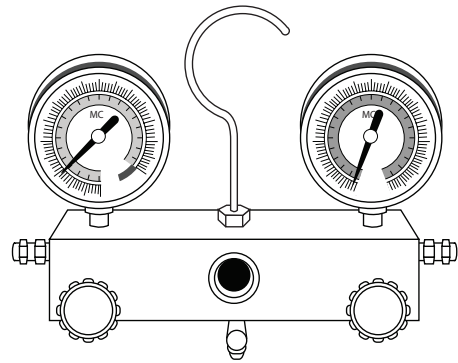
β. Καλωδίωση εσωτερικής μονάδας .....28

γ. Προδιαγραφές ισχύος.....29

**8** Εκκένωση του αέρα ..... 30

α. Οδηγίες εκκένωσης ..... 30

β. Σημείωση για την προσθήκη ψυκτικού μέσου..... 31



Προσοχή: Κίνδυνος πυρκαγιάς  
(ψυκτικό μέσο R32/R290)

**9** Δοκιμαστική λειτουργία..... 32


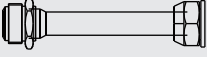
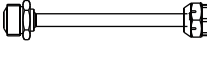
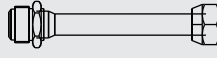

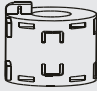

**10** Ευρωπαϊκές Οδηγίες απόρριψης του προϊόντος ..... 33


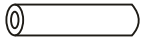

**11** Πληροφορίες Επισκευής ..... 34

# Εξαρτήματα

# 1

Το κλιματιστικό μηχάνημα διαθέτει τα εξαρτήματα που παρατίθενται παρακάτω. Χρησιμοποιήστε όλα τα μέρη και τα εξαρτήματα εγκατάστασης για να εγκαταστήσετε το κλιματιστικό. Τυχόν εσφαλμένη εγκατάσταση μπορεί να προκαλέσει διαρροή νερού, ηλεκτροπληξία και πυρκαγιά ή καταστροφή του εξοπλισμού.

Όνομα	Ποσότητα	Σχήμα
Εγχειρίδιο εγκατάστασης	2~4	
Σύνδεσμος μεταφοράς (ΦΦ12.7-ΦΦ15.9) (ορισμένα μοντέλα)	1	
Σύνδεσμος μεταφοράς (ΦΦ6.35-ΦΦ9.52) (ορισμένα μοντέλα)	1	
Σύνδεσμος μεταφοράς (ΦΦ9.52-ΦΦ12.7) (ορισμένα μοντέλα)	1	
Μαγνητικός δακτύλιος (για να περιβάλλει τα καλώδια S1 & S2 ( P & Q & E ) γύρω από τον μαγνητικό δακτύλιο δύο φορές)	1	 S1&S2(P&Q&E)
Μαγνητικός δακτύλιος (αγκιστρώστε τον στο καλώδιο σύνδεσης μεταξύ της εσωτερικής μονάδας και της εξωτερικής μονάδας μετά από την εγκατάσταση)	1	
Ενσύρματο τηλεχειριστήριο (ορισμένα μοντέλα)	1	

Όνομα	Ποσότητα	Σχήμα
Τηλεχειριστήριο	1	
Μπαταρία AAA	2	
Ηχομονωτικό / μονωτικό περίβλημα (ορισμένα μοντέλα)	2	
Σωλήνας θερμομόνωσης	1	
Ούπα	6 (Ανάλογα το μοντέλο)	
Βίδα στερέωσης βάσης στήριξης	6 (Ανάλογα το μοντέλο)	
Σύνδεσμος αποστράγγισης (ορισμένα μοντέλα)	1	
Δακτύλιος στεγανοποίησης	1	
Ρακόρ	2	
Κόκκινο καλώδιο (ορισμένα μοντέλα)	1	
Φίλτρο αέρα (ορισμένα μοντέλα)	2	

## Προαιρετικά εξαρτήματα

- Υπάρχουν δύο τύποι τηλεχειριστηρίων: ενσύρματα και ασύρματα. Επιλέξτε ένα τηλεχειριστήριο με βάση τις προτιμήσεις και τις απαιτήσεις σας και εγκαταστήστε το σε κατάλληλο σημείο. Ανατρέξτε στους καταλόγους και την τεχνική βιβλιογραφία για οδηγίες σχετικά με την επιλογή του κατάλληλου τηλεχειριστηρίου.



Name	Shape		Quantity(PC)
Συναρμολόγηση σωλήνων σύνδεσης	Πλευρά υγρού	Φ <b>6.35(1/4in)</b>	Μέρη που πρέπει να αγοράσετε ξεχωριστά. Συμβουλευτείτε τον αντιπρόσωπο για το κατάλληλο μέγεθος σωλήνα της μονάδας που αγοράσατε.
		Φ <b>9.52(3/8in)</b>	
		Φ <b>12.7(1/2in)</b>	
	Πλευρά αερίου	Φ <b>9.52(3/8in)</b>	
		Φ <b>12.7(1/2in)</b>	
		Φ <b>16(5/8in)</b>	
		Φ <b>19(3/4in)</b>	
		Φ <b>22(7/8in)</b>	

**Διαβάστε τις οδηγίες ασφαλείας πριν από την εγκατάσταση.**

**Η εσφαλμένη εγκατάσταση που οφείλεται σε άγνοια των οδηγιών, μπορεί να προκαλέσει σοβαρή βλάβη ή τραυματισμό.**

Η σοβαρότητα πιθανής βλάβης ή τραυματισμού αναφέρεται ως ΠΡΟΕΙΔΟΠΟΙΗΣΗ ή ΠΡΟΣΟΧΗ.



ΠΡΟΕΙΔΟΠΟΙΗΣΗ

Μη συμμόρφωση μπορεί να έχει ως αποτέλεσμα το θάνατο. Η συσκευή θα πρέπει να εγκαθίσταται σύμφωνα με τους εθνικούς κανονισμούς.



ΠΡΟΣΟΧΗ

Μη συμμόρφωση μπορεί να έχει ως αποτέλεσμα τραυματισμό ή βλάβη του εξοπλισμού.



Αυτό το σύμβολο υποδεικνύει ότι δεν πρέπει ποτέ να εκτελέσετε την ενέργεια που υποδεικνύεται.



## ΠΡΟΕΙΔΟΠΟΙΗΣΗ

1. Πριν από την εγκατάσταση, διαβάστε προσεκτικά τις οδηγίες ασφαλείας.
2. Σε κάποιες συνθήκες περιβάλλοντος λειτουργίας, όπως κουζίνες, μηχανογραφικό εξοπλισμό (server) κλπ., συνιστάται ιδιαίτερα η χρήση ειδικά σχεδιασμένων κλιματιστικών μονάδων.
3. Μόνο εκπαιδευμένοι και πιστοποιημένοι τεχνικοί μπορούν να τοποθετούν και να επισκευάζουν αυτή την κλιματιστική μονάδα.
4. Τυχόν εσφαλμένη εγκατάσταση μπορεί να οδηγήσει σε ηλεκτροπληξία, βραχυκύκλωμα, διαρροή, πυρκαγιά ή άλλη βλάβη του εξοπλισμού ή άλλες υλικές ζημιές. (Στη Βόρεια Αμερική, η εγκατάσταση πρέπει να πραγματοποιείται σύμφωνα με την απαίτηση της NEC και της CEC μόνο από αδειοδοτημένο τεχνικό).
5. Να τηρείτε αυστηρά τις οδηγίες εγκατάστασης που αναφέρονται στο εγχειρίδιο αυτό.
6. Πριν εγκαταστήσετε τη μονάδα, λάβετε υπόψη τυχόν παρουσία ισχυρού ανέμου, έντονων καιρικών φαινομένων και σεισμών που μπορεί να πλήξουν τη μονάδα σας και επιλέξτε κατάλληλα το σημείο εγκατάστασης. Εάν δεν το κάνετε αυτό ενδέχεται να προκληθούν φθορές στη μονάδα.
7. Αυτή η συσκευή μπορεί να χρησιμοποιείται από παιδιά ηλικίας 8 ετών και άνω και άτομα με μειωμένες φυσικές, αισθητηριακές ή διανοητικές ικανότητες ή έλλειψη εμπειρίας και γνώσης, εάν έχουν λάβει κατάλληλη επίβλεψη ή καθοδήγηση όσον αφορά τη χρήση της συσκευής με ασφάλεια, και κατανοούν τους κινδύνους που ενέχει αυτή η χρήση. Τα παιδιά δεν επιτρέπεται να παίζουν με τη συσκευή. Ο καθαρισμός και η συντήρηση από το χρήστη δεν πρέπει να γίνονται από παιδιά χωρίς επιτήρηση. (Καθορισμένες απαιτήσεις EN).
8. Μην χρησιμοποιείτε μέσα επιτάχυνσης της απόψυξης ή του καθαρισμού, άλλα πέρα από εκείνα που συνιστώνται από τον κατασκευαστή.
9. Αυτή η συσκευή δεν προορίζεται για χρήση από άτομα (συμπεριλαμβανομένων παιδιών) με μειωμένες φυσικές, αισθητηριακές ή διανοητικές ικανότητες ή έλλειψη εμπειρίας και γνώσης, εκτός αν έχουν λάβει κατάλληλη επίβλεψη ή καθοδήγηση όσον αφορά τη χρήση της συσκευής με ασφάλεια, και κατανοούν τους κινδύνους που ενέχει αυτή η χρήση.
10. Τα παιδιά δεν επιτρέπεται να παίζουν με τη συσκευή. (Καθορισμένη απαίτηση IEC).
11. Εάν το καλώδιο τροφοδοσίας έχει υποστεί ζημιά, πρέπει να αντικατασταθεί από τον κατασκευαστή, τον αντιπρόσωπο σέρβις ή εξειδικευμένα πρόσωπα, προκειμένου να αποφευχθεί ο κίνδυνος.
12. Η συσκευή πρέπει να εγκατασταθεί σύμφωνα με τους εθνικούς κανονισμούς καλωδίωσης.
13. Η σταθερή καλωδίωση, σύμφωνα και με τους ισχύοντες κανονισμούς εγκαταστάσεων, πρέπει να περιλαμβάνει πολυπολική διάταξη αποσύνδεσης με διάκενα τουλάχιστον 3mm σε όλους τους πόλους και να παρουσιάζει ρεύμα διαρροής που μπορεί να υπερβαίνει τα 10mA, με τη διάταξη υπολειμματικού ρεύματος (RCD) να διαθέτει ονομαστικό υπολειπόμενο ρεύμα λειτουργίας που δεν ξεπερνά τα 30mA.
14. Η αποσύνδεση της συσκευής θα πρέπει να γίνεται σύμφωνα με τους κανονισμούς ηλεκτρολογικών συνδέσεων.
15. Οποιοδήποτε άτομο απασχολείται με το κύκλωμα ψυκτικού μέσου ή επεμβαίνει σε αυτό, θα πρέπει να



## ΠΡΟΕΙΔΟΠΟΙΗΣΗ

διαθέτει έγκυρο και σε ισχύ πιστοποιητικό από αρχή πιστοποιημένη από τον κλάδο, η οποία βεβαιώνει την ικανότητα του ατόμου για ασφαλή χειρισμό ψυκτικών μέσων και σύμφωνα με προδιαγραφές αξιολόγησης αναγνωρισμένες από τον κλάδο.

16. Το σέρβις θα πρέπει να πραγματοποιείται μόνο όπως συνιστάται από τον κατασκευαστή του εξοπλισμού.
17. Η συντήρηση και επισκευή, εφόσον απαιτούν τη βοήθεια άλλου εξειδικευμένου προσωπικού, θα πραγματοποιούνται υπό την επίβλεψη του ατόμου που διαθέτει πιστοποίηση στη χρήση εύφλεκτων ψυκτικών μέσων.
18. Η συσκευή πρέπει να αποθηκεύεται έτσι ώστε να αποφεύγεται η εμφάνιση μηχανικών βλαβών.
19. Κρατήστε τα ανοίγματα του εξαερισμού μακριά από εμπόδια.
20. Μην ενεργοποιείτε την τροφοδοσία ρεύματος μέχρι να ολοκληρωθεί η εργασία.
21. Κατά τη μετακίνηση ή τη μετεγκατάσταση του κλιματιστικού, συμβουλευτείτε έμπειρους τεχνικούς σέρβις για αποσύνδεση και επανεγκατάσταση της μονάδας.
22. Σε συγκεκριμένους χώρους λειτουργίας, όπως κουζίνες, δωμάτια μηχανογραφικού εξοπλισμού, κλπ. συνιστάται ιδιαίτερα η χρήση ειδικά σχεδιασμένων κλιματιστικών.
23. Η πρίζα πρέπει να μπορεί να ελέγχετε από οποιοδήποτε σημείο ότι είναι αποσυνδεδεμένη.
24. Εάν αυτό δεν είναι δυνατό, λόγω της κατασκευής της συσκευής ή της εγκατάστασής της, πρέπει να πραγματοποιείται αποσύνδεση με σύστημα ασφάλισης στην απομονωμένη θέση.
25. Για τα βήματα εγκατάστασης της συσκευής, διαβάστε τις πληροφορίες για λεπτομέρειες “εγκατάσταση εσωτερικής μονάδας” και “εγκατάσταση εξωτερικής μονάδας”.



## ΠΡΟΣΟΧΗ

- ⊗ Για μονάδες που διαθέτουν βοηθητικό ηλεκτρικό θερμαντήρα, μην εγκαταστήσετε τη μονάδα σε απόσταση 1 μέτρου (3 πόδια) από εύφλεκτα υλικά.
  - ⊗ Μην τοποθετείτε τη μονάδα σε θέση που μπορεί να εκτεθεί σε αποβαλλόμενα αέρια. Αν αποβαλλόμενα αέρια συσσωρεύονται γύρω από τη μονάδα, μπορεί να προκαλέσουν φωτιά.
  - ⊗ Μην χρησιμοποιείτε το κλιματιστικό σας σε δωμάτια όπως ένα μπάνιο ή ένα δωμάτιο με ηλεκτρικές συσκευές. Η έκθεση στο νερό μπορεί να προκαλέσει βραχυκύκλωμα των ηλεκτρικών εξαρτημάτων.
1. Το προϊόν πρέπει να είναι καλά γειωμένο κατά τη στιγμή της εγκατάστασης καθώς μπορεί να προκληθεί ηλεκτροπληξία.
  2. Εγκαταστήστε του αγωγούς αποστράγγισης σύμφωνα με τις οδηγίες αυτού του εγχειριδίου. Λανθασμένη αποστράγγιση μπορεί να προκαλέσει διαρροή νερού στο σπίτι και στο χώρο σας.



## Προειδοποιήσεις για τη χρήση ψυκτικού μέσου R32 / R290

### 1. Εγκατάσταση (Χώρος)

- Η εγκατάσταση των σωλήνων πρέπει να περιορίζεται στο ελάχιστο.
- Οι σωλήνες πρέπει να προστατεύονται από φυσικές βλάβες.
- Πρέπει να τηρείται η συμμόρφωση με τους εθνικούς κανονισμούς αερίου.
- Οι μηχανικές συνδέσεις πρέπει να είναι προσιτές για λόγους συντήρησης.
- Σε περιπτώσεις όπου απαιτείται μηχανικός εξαερισμός, τα ανοίγματα εξαερισμού πρέπει να διατηρούνται μακριά από εμπόδια.
- Όταν απορρίπτεται το προϊόν, πρέπει να βασίζεστε στις εθνικές διατάξεις.
- Η συσκευή πρέπει να φυλάσσεται σε καλά αεριζόμενο χώρο όπου αντιστοιχεί με το μέγεθος της λειτουργίας της.
- Στοιχεία στα οποία οι σωλήνες ψυκτικού μέσου πρέπει να συμμορφώνονται με τους εθνικούς κανονισμούς αερίου.

### 2. Συντήρηση

- Κάθε άτομο που ασχολείται με την εργασία ή τη διάσπαση σε κύκλωμα ψυκτικού μέσου πρέπει να κατέχει ένα τρέχον έγκυρο πιστοποιητικό από μια αναγνωρισμένη από τη βιομηχανία αρχή αξιολόγησης, η οποία εγκρίνει την ικανότητά τους να χειρίζονται ψυκτικά με ασφάλεια σύμφωνα με μια βιομηχανία αναγνωρισμένη προδιαγραφή αξιολόγησης.
- Η συντήρηση πρέπει να εκτελείται μόνο σύμφωνα με τις οδηγίες του κατασκευαστή του εξοπλισμού. Συντήρηση και η επισκευή απαιτεί τη βοήθεια άλλου αδειοδοτημένου τεχνικού υπό την επίβλεψη του προσώπου που είναι αρμόδιο για τη χρήση αποβαλλόμενων αερίων.

### 3. Μη χρησιμοποιείτε μέσα για να επιταχύνετε τη διαδικασία απόψυξης ή να καθαρίσετε, εκτός από αυτά που συνιστά ο κατασκευαστής.

### 4. Η συσκευή πρέπει να αποθηκεύεται σε ένα δωμάτιο χωρίς συνεχείς πηγές ανάφλεξης (για παράδειγμα: ανοιχτές εγκαταστάσεις, μια συσκευή αερίου λειτουργίας ή ένας ηλεκτρικός θερμαντήρας που λειτουργεί).

### 5. Μην τρυπάτε ή καίτε.

### 6. Να έχετε υπόψη ότι τα ψυκτικά μέσα μπορεί να μην περιέχουν οσμή.

### 7. Να είστε προσεκτικοί ώστε ξένη ύλη όπως (λάδι, νερό, κ.λπ.) να μην εισέλθει στις σωληνώσεις. Επίσης, όταν αποθηκεύεται τις σωλήνες, σφραγίστε το άνοιγμα της ασφάλειας με μονωτική ταινία κλπ. Για τις εσωτερικές μονάδες, χρησιμοποιήστε R32 ψυκτικό, για την ένωση αρμών μόνο όταν συνδέετε την εσωτερική μονάδα και την εσωτερική μονάδα (όταν συνδέετε εσωτερικά). Η χρήση σωλήνων ή ρακόρ μπορεί να προκαλέσει δυσλειτουργία προϊόντος, διαρρήξεις σωλήνων ή τραυματισμό λόγω υψηλής εσωτερικής πίεσης του ψυκτικού κύκλου που προκαλείται από οποιοδήποτε εισερχόμενο αέρα.

### 8. Το μηχάνημα πρέπει να εγκαθίσταται, να λειτουργεί και να αποθηκεύεται σε δωμάτιο με επιφάνεια μεγαλύτερη από $X \text{ m}^2$ (ανατρέξτε στην παρακάτω φόρμα). Η συσκευή δεν πρέπει να εγκατασταθεί σε ένα μη αεριζόμενο χώρο εάν ο χώρος αυτός είναι μικρότερος από $X \text{ m}^2$ (βλέπε την ακόλουθη φόρμα).

Η μέγιστη πλήρωση σε ένα δωμάτιο είναι σύμφωνη με τα ακόλουθα:

$$m_{\max} = 2,5 \times (\text{LFL})^{(5/4)} \times h_0 \times (\text{A})^{1/2}$$

ή το απαιτούμενο ελάχιστο εμβαδόν χώρου  $A_{\min}$  για την εγκατάσταση μιας μονάδας με ψυκτικό φορτίο  $M(\text{kg})$  πρέπει να είναι σύμφωνη με τα ακόλουθα:

$$A_{\min} = (M / (2,5 \times (\text{LFL})^{(5/4)} \times h_0))^2$$

Όπου.

$m_{\max}$  το μέγιστο επιτρεπόμενο φορτίο του χώρου σε kg,

$M$  η ποσότητα ψυκτικού υγρού στη συσκευή σε kg,

$A_{\min}$  η ελάχιστη απαιτούμενη επιφάνεια χώρου σε  $\text{m}^2$ ,

$A$  η επιφάνεια του χώρου σε  $\text{M}^2$ ,

$\text{LFL}$  το κατώτατο όριο ανάφλεξης σε  $\text{kg}/\text{m}^3$ ,

$h_0$  το ύψος απελευθέρωσης, η κατακόρυφη απόσταση σε μέτρα από το δάπεδο έως το σημείο απελευθέρωσης κατά την εγκατάσταση της συσκευής,

$h_0 = (h_{\text{inst}} + h_{\text{rel}})$  ή 0,6 m, όποιο από τα δύο είναι μεγαλύτερο

$h_{\text{rel}}$  η μετατόπιση απελευθέρωσης σε μέτρα από το κάτω μέρος της συσκευής έως το σημείο απελευθέρωσης,

$h_{\text{inst}}$  το εγκατεστημένο ύψος της συσκευής σε μέτρα

#### **Ενδεικτικά εγκατεστημένα ύψη εγκατάστασης:**

0,0 m για φορητά και επιδαπέδιες εγκαταστάσεις,

1,0 m για τοποθέτηση σε παράθυρο,

1,8m για επιτοιχία τοποθέτηση,

2,2m για τοποθέτηση στην οροφή,

Εάν το ελάχιστο ύψος εγκατάστασης που δίνεται από τον κατασκευαστή είναι υψηλότερο από το ύψος αναφοράς εγκατεστημένου ύψος, τότε επιπλέον τα  $A_{\min}$  και  $m_{\max}$  για το εγκατεστημένο ύψος αναφοράς πρέπει να δοθούν από τον κατασκευαστή.

Μια συσκευή μπορεί να έχει πολλαπλά ύψη αναφοράς εγκατάστασης.

Στην περίπτωση αυτή, οι υπολογισμοί  $A_{\min}$  και  $m_{\max}$  πρέπει να παρέχονται για όλα τα ισχύοντα σημεία αναφοράς ύψους εγκατάστασης.

Για συσκευές που εξυπηρετούν ένα ή περισσότερα δωμάτια με σύστημα αεραγωγών, το χαμηλότερο άνοιγμα του αγωγού σε κάθε κλιματιζόμενο χώρο ή οποιοδήποτε άνοιγμα της εσωτερικής μονάδας μεγαλύτερο των 5cm, στη χαμηλότερη θέση ως προς τον χώρο, χρησιμοποιείται για το  $h_0$ .

Ωστόσο, το  $h_0$  δεν πρέπει να είναι μικρότερο από 0,6m.

Το  $A_{\min}$  υπολογίζεται σε συνάρτηση με τα ύψη των ανοιγμάτων του αγωγού ως προς τον χώρο και του ψυκτικού υγρού για τους χώρους όπου διαρροή ψυκτικού υγρού μπορεί να ρέει, λαμβάνοντας υπόψη τον τόπο τοποθέτησης της μονάδας. Όλοι οι χώροι πρέπει να έχουν επιφάνεια δαπέδου μεγαλύτερη από  $A_{\min}$ .

**ΣΗΜΕΙΩΣΗ 1** Ο τύπος δεν μπορεί να χρησιμοποιηθεί για ψυκτικά υγρά ελαφρύτερα από 42 kg/kmol.

**ΣΗΜΕΙΩΣΗ 2** Παραδείγματα υπολογισμών σύμφωνα με τον παραπάνω τύπο διαθέσιμα στους πίνακες 1-1 και 1-2.

**ΣΗΜΕΙΩΣΗ 3** Για εργοστασιακά πληρωμένες μονάδες, η προπληρωμένη ποσότητα ψυκτικού μέσου που αναγράφεται στο ταμπελάκι στις μονάδες μπορεί να χρησιμοποιηθεί για τον υπολογισμό του Amin.

**ΣΗΜΕΙΩΣΗ 4** Για μονάδες που πραγματοποιείται πλήρωση στο πεδίο, ο υπολογισμός του Amin πρέπει να βασιστεί στην πληρωμένη ποσότητα και δεν πρέπει να ξεπερνάει την ορισμένη από τον κατασκευαστή μέγιστη ποσότητα πλήρωσης.

Για την μέγιστη ποσότητα πλήρωσης για έναν χώρο και η ελάχιστη απαιτούμενη επιφάνεια ενός χώρου για εγκατάσταση, ανατρέξτε στα εγχειρίδια χρήσης και εγκατάστασης της μονάδας.

Για πληροφορίες σχετικά με τον τύπο και την ποσότητα του ψυκτικού μέσου, ανατρέξτε στο ταμπελάκι της μονάδας.

**Πίνακας 1-1**

**Μέγιστη πλήρωση ψυκτικού υγρού (kg)**

Ψυκτικό μέσο	LFL (kg/m <sup>3</sup> )	Ύψος εγκατάστασης H0 (m)	Suprafata (m <sup>2</sup> )						
			4	7	10	15	20	30	50
R32	0.306	0.6	0.68	0.90	1.08	1.32	1.53	1.87	2.41
		1.0	1.14	1.51	1.80	2.20	2.54	3.12	4.02
		1.8	2.05	2.71	3.24	3.97	4.58	5.61	7.24
		2.2	2.50	3.31	3.96	4.85	5.60	6.86	8.85
		0.6	0.05	0.07	0.08	0.10	0.11	0.14	0.18
R290	0.038	1.0	0.08	0.11	0.13	0.16	0.19	0.23	0.30
		1.8	0.15	0.20	0.24	0.29	0.34	0.41	0.53
		2.2	0.18	0.24	0.29	0.36	0.41	0.51	0.65

**Πίνακας 1-2**






**Ελάχιστος χώρος (m<sup>2</sup>)**

Ψυκτικό μέσο	LFL (kg/m <sup>3</sup> )	Ύψος εγκατάστασης H0 (m)	Πλήρωση σε kg Ελάχιστη επιφάνεια χώρου (m <sup>2</sup> )						
			1.224 kg	1.836 kg	2.448 kg	3.672 kg	4.896 kg	6.12 kg	7.956 kg
R32	0.306	0.6	29	51	116	206	321	543	
		1.0	10	19	42	74	116	196	
		1.8	3	6	13	23	36	60	
		2.2	2	4	9	15	24	40	
		0.152 kg	0.228 kg	0.304 kg	0.456 kg	0.608 kg	0.76 kg	0.988 kg	
R290	0.038	0.6	82	146	328	584	912	1541	
		1.0	30	53	118	210	328	555	
		1.8	9	16	36	65	101	171	
		2.2	6	11	24	43	68	115	

## Σημείωση σχετικά με τα φθοριούχα αέρια

1. Η παρούσα κλιματιστική μονάδα περιέχει φθοριούχα αέρια. Για συγκεκριμένες πληροφορίες σχετικά με τον τύπο και την ποσότητα του αερίου, συμβουλευθείτε την αντίστοιχη ετικέτα που υπάρχει επάνω στη μονάδα ή το "Εγχειρίδιο Χρήσης - Δελτίο Προϊόντος" στη συσκευασία της εξωτερικής μονάδας. (Μόνο προϊόντα της Ευρωπαϊκής Ένωσης).
2. Η εγκατάσταση, το σέρβις, η συντήρηση και η επισκευή αυτής της μονάδας θα πρέπει να πραγματοποιείται από πιστοποιημένο τεχνικό.
3. Η απεγκατάσταση και ανακύκλωση του προϊόντος θα πρέπει να πραγματοποιείται από πιστοποιημένο τεχνικό.
4. Εάν υπάρχει εγκατεστημένο σύστημα εντοπισμού διαρροών, θα πρέπει να ελέγχεται για διαρροές τουλάχιστον ανά 12 μήνες.
5. Όταν γίνεται έλεγχος της μονάδας για διαρροές, συνιστάται ιδιαίτερα να τηρείτε κατάλληλο αρχείο όλων των ελέγχων.

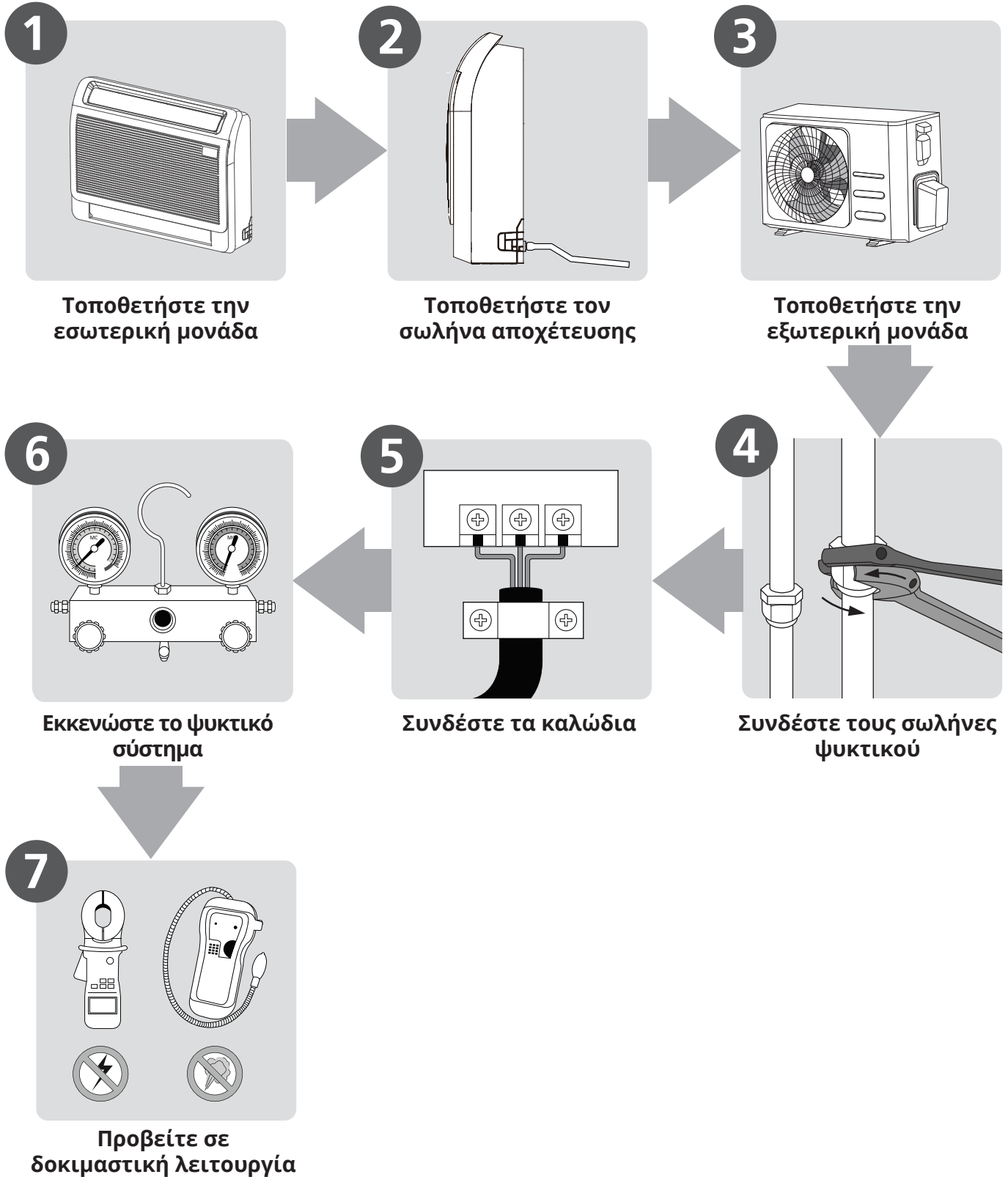
## Επεξήγηση των συμβόλων που απεικονίζεται στην εσωτερική μονάδα ή την εξωτερική μονάδα (ισχύει μόνο σε μονάδες που χρησιμοποιούν ψυκτικό μέσο R32/R290):

	<b>ΠΡΟΕΙΔΟ-ΠΟΙΗΣΗ</b>	Αυτό το σύμβολο υποδηλώνει ότι σε αυτή τη συσκευή χρησιμοποιείται εύφλεκτο ψυκτικό μέσο. Εάν διαρρεύσει ψυκτικό μέσο και αφεθεί εκτεθειμένο σε εξωτερική πηγή ανάφλεξης, υπάρχει κίνδυνος πυρκαγιάς.
	<b>ΠΡΟΣΟΧΗ</b>	Αυτό το σύμβολο υποδηλώνει ότι θα πρέπει να διαβάσετε προσεκτικά το εγχειρίδιο χειρισμού.
	<b>ΠΡΟΣΟΧΗ</b>	Αυτό το σύμβολο υποδηλώνει ότι ο χειρισμός του εξοπλισμού θα πρέπει να γίνεται από προσωπικό κατάλληλο για σέρβις και σε συνάρτηση με το εγχειρίδιο εγκατάστασης.
	<b>ΠΡΟΣΟΧΗ</b>	
	<b>ΠΡΟΣΟΧΗ</b>	Αυτό το σύμβολο υποδηλώνει ότι οι πληροφορίες είναι διαθέσιμες σε έντυπα όπως το εγχειρίδιο χρήσης ή το εγχειρίδιο εγκατάστασης.

# Επισκόπηση εγκατάστασης

# 3

## ΣΕΙΡΑ ΕΓΚΑΤΑΣΤΑΣΗΣ



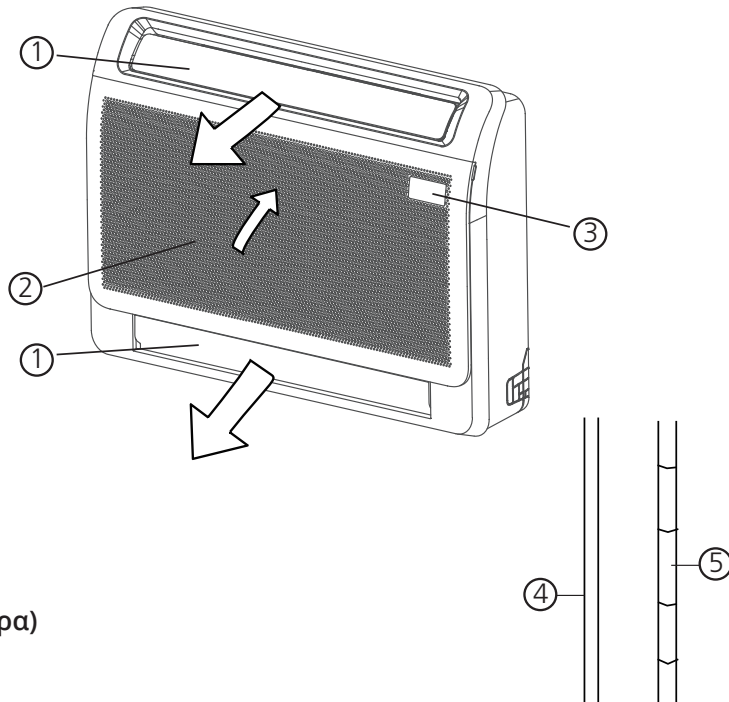


# Εγκατάσταση Εσωτερικής μονάδας

# 4

## Μέρη εσωτερικής μονάδας

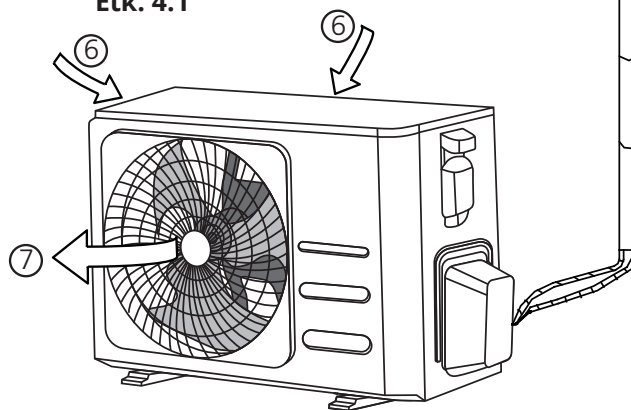
**ΣΗΜΕΙΩΣΗ:** εγκατάσταση πρέπει να γίνεται σύμφωνα με τις απαιτήσεις των τοπικών και εθνικών προτύπων. Η εγκατάσταση ενδέχεται να διαφέρει ελαφρώς σε διαφορετικές περιοχές.



- ① Περίσφιδα αέρα (εξαγωγή αέρα)
- ② Είσοδος αέρα (με φίλτρο)
- ③ Πίνακας ενδείξεων
- ④ Σωλήνας αποστράγγισης

- ⑤ Σωλήνας σύνδεσης
- ⑥ Είσοδος αέρα
- ⑦ Εξαγωγή αέρα

Εικ. 4.1



## ΣΗΜΕΙΩΣΗ ΓΙΑ ΤΙΣ ΑΠΕΙΚΟΝΙΣΕΙΣ

- Οι σωληνώσεις μπορούν να συνδεθούν από την αριστερή, τη δεξιά, την πίσω και την κάτω πλευρά της μονάδας. Παρακαλούμε επιλέξτε τη μέθοδο σωληνώσεων ανάλογα με τις εκάστοτε ανάγκες
- Οι απεικονίσεις στο παρόν εγχειρίδιο έχουν επεξηγηματικό χαρακτήρα. Το πραγματικό σχήμα της εσωτερικής σας μονάδας μπορεί να είναι ελαφρώς διαφορετικό. Το πραγματικό σχήμα πρέπει να υπερισχύει.

## Οδηγίες εγκατάστασης εσωτερικής μονάδας

**ΣΗΜΕΙΩΣΗ:** Η εγκατάσταση του πάνελ θα πρέπει να γίνεται μετά την ολοκλήρωση των σωληνώσεων και της καλωδίωσης.

### Βήμα 1: Επιλέξτε τη θέση εγκατάστασης

Η εσωτερική μονάδα θα πρέπει να εγκατασταθεί σε θέση που να καλύπτει τις παρακάτω προϋποθέσεις:

- ☑ Υπάρχει αρκετός χώρος για εγκατάσταση και συντήρηση.
- ☑ Υπάρχει αρκετός χώρος για τη σύνδεση των σωληνώσεων και του αγωγού αποχέτευσης.
- ☑ Η οροφή είναι οριζόντια και η δομή της μπορεί να αντέξει το βάρος της εσωτερικής μονάδας.
- ☑ Η εισαγωγή και η εξαγωγή του αέρα δεν είναι παρεμποδίζονται.
- ☑ Η ροή αέρα μπορεί να γεμίσει ολόκληρο το δωμάτιο.
- ☑ Δεν υπάρχει απευθείας ακτινοβολία από θερμαντικά σώματα.



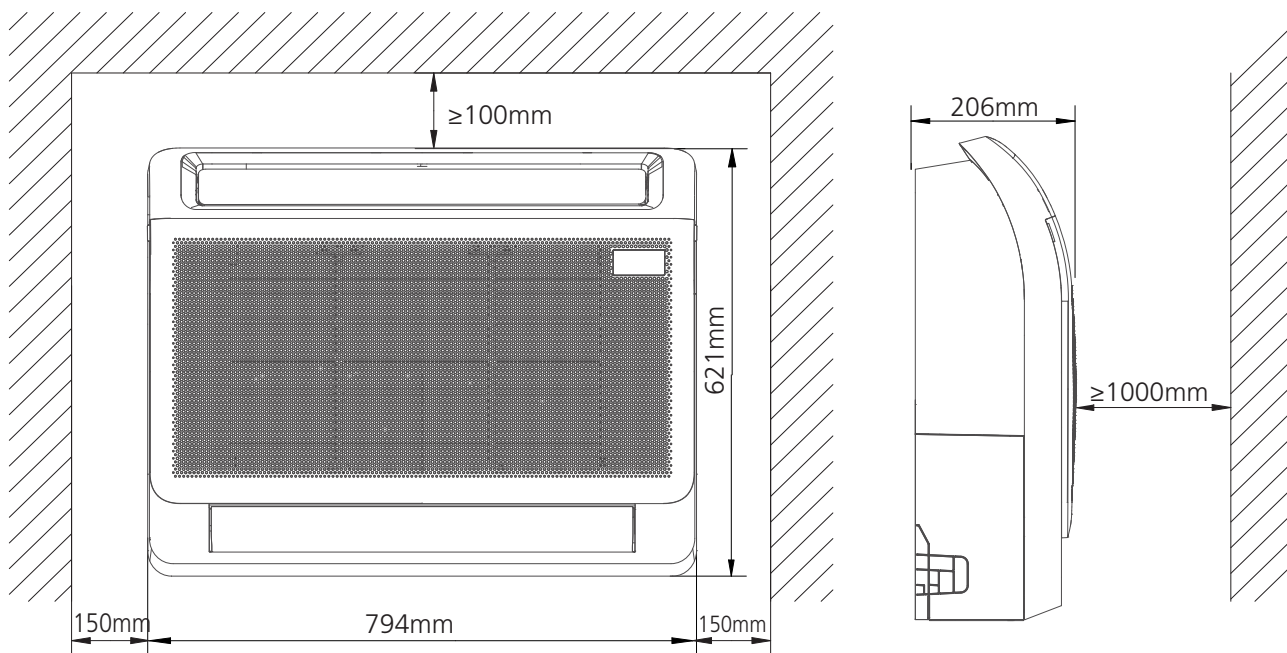
## ΠΡΟΣΟΧΗ

**ΜΗΝ** εγκαθιστάτε τη μονάδα στις θέσεις που αναφέρονται παρακάτω:

- ⊗ Περιοχές όπου πραγματοποιείται εξόρυξη πετρελαίου ή φυσικού αερίου
- ⊗ Παράκτιες περιοχές με υψηλή περιεκτικότητα άλατος στην ατμόσφαιρα
- ⊗ Θέσεις όπου ο αέρας περιέχει καυστικά αέρια όπως π.χ. ιαματικές πηγές
- ⊗ Περιοχές όπου εμφανίζονται διακυμάνσεις του ρεύματος, όπως εργοστάσια
- ⊗ Κλειστοί χώροι όπως ερμάρια
- ⊗ Κουζίνες όπου χρησιμοποιείται φυσικό αέριο
- ⊗ Περιοχές όπου υπάρχουν ισχυρά ηλεκτρομαγνητικά κύματα
- ⊗ Περιοχές όπου φυλάσσονται εύφλεκτα υλικά ή αέριο
- ⊗ Δωμάτια με υψηλή υγρασία π.χ. μπάνιο ή πλυσταριό

### ΣΥΝΙΣΤΩΜΕΝΕΣ ΑΠΟΣΤΑΣΕΙΣ ΓΥΡΩ ΑΠΟ ΤΗΝ ΕΣΩΤΕΡΙΚΗ ΜΟΝΑΔΑ

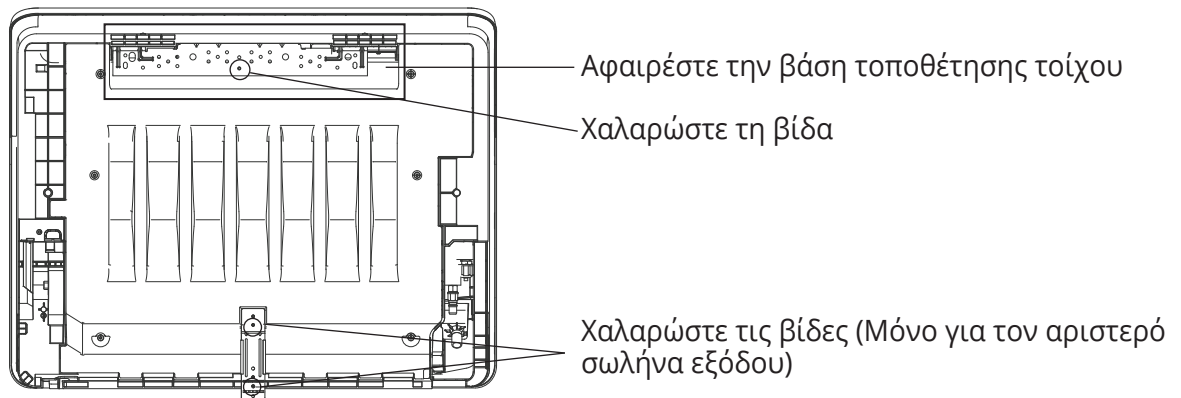
Η απόσταση γύρω από την τοποθετημένη εσωτερική μονάδα θα πρέπει να βασίζεται στις προδιαγραφές που αναφέρονται στο παρακάτω διάγραμμα. (Βλέπε Εικ. 4.2)



Εικ. 4.2

## Βήμα 2: Εγκατάσταση της εσωτερικής μονάδας

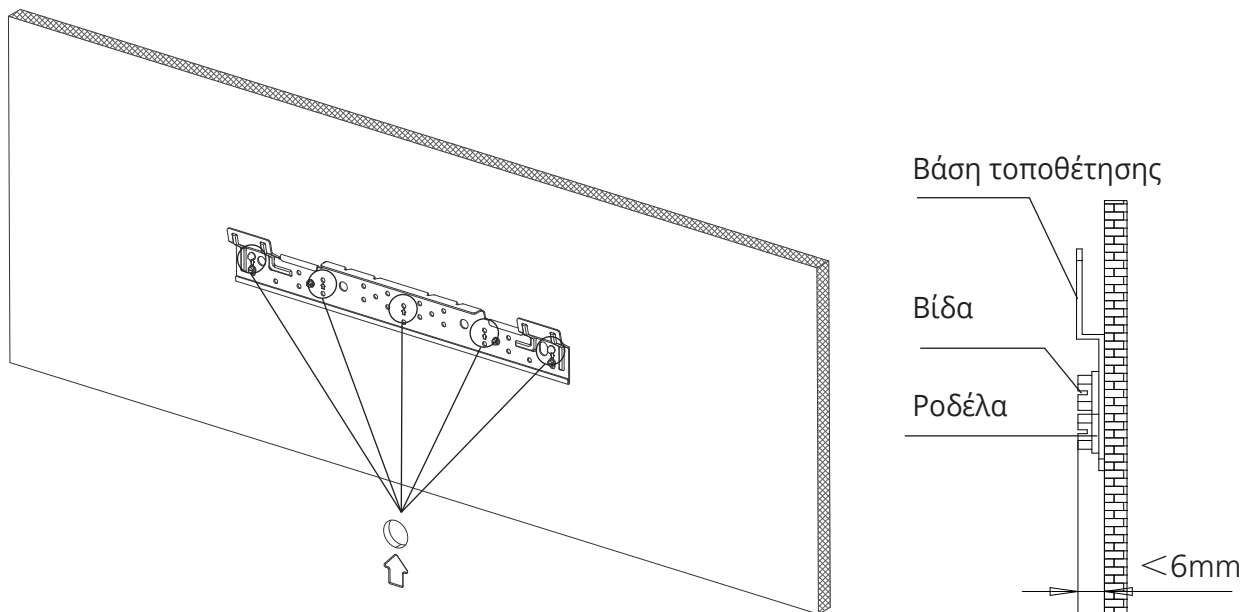
- Αφού χαλαρώσετε τις βίδες, αφαιρέστε την βάση τοποθέτησης από τη μονάδα.



**ΣΗΜΕΙΩΣΗ:** Εάν ο σωλήνας έχει έξοδο από τα αριστερά, είναι απαραίτητο να χαλαρώσετε τις βίδες στην κάτω βάση τοποθέτησης. Εάν ο σωλήνας έχει έξοδο προς άλλες κατευθύνσεις, δεν είναι απαραίτητο.

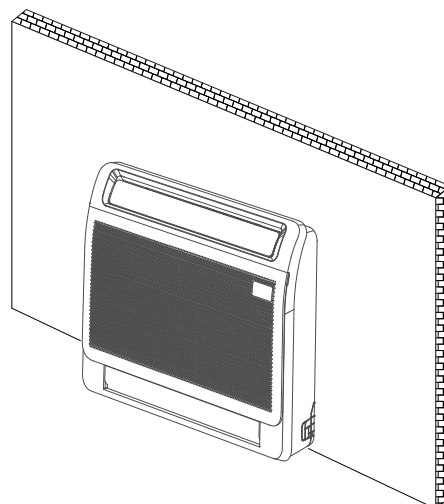
- Στερεώστε τη βάση τοποθέτησης με μια βίδα στον τοίχο.

**ΣΗΜΕΙΩΣΗ:** Συνιστάται να στερεώνεται στον τοίχο σύμφωνα με την οπή ανάρτησης που υποδεικνύεται από το βέλος στην βάση τοποθέτησης. Η βάση τοποθέτησης πρέπει να τοποθετείται οριζόντια.

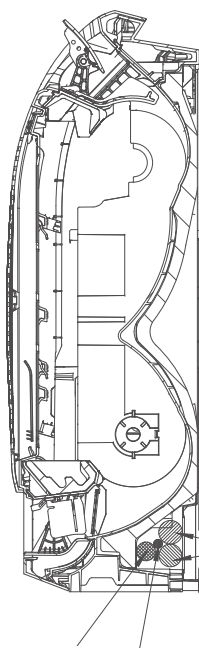
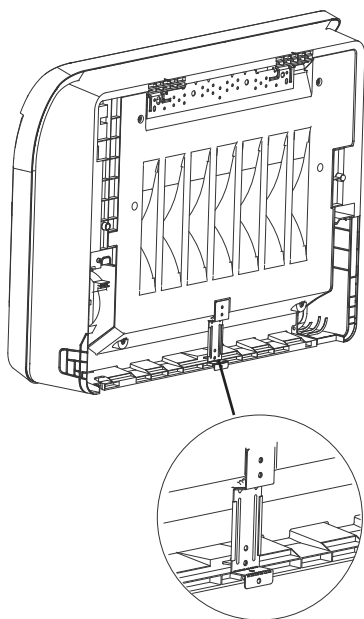


- Κρεμάστε την εσωτερική μονάδα στην βάση τοποθέτησης. (Το κάτω μέρος της εσωτερικής μονάδας μπορεί να ακουμπήσει στο δάπεδο ή να παραμείνει αναρτημένο).

**ΣΗΜΕΙΩΣΗ:** Μετά την εγκατάσταση, η μονάδα πρέπει να διατηρείται οριζόντια χωρίς να γέρνει



- Εγκατάσταση της κάτω βάσης τοποθέτησης  
Εγκατάσταση σε τοίχο χωρίς σοβατεπί  
Η κάτω βάση τοποθέτησης στερεώνεται απευθείας στον τοίχο

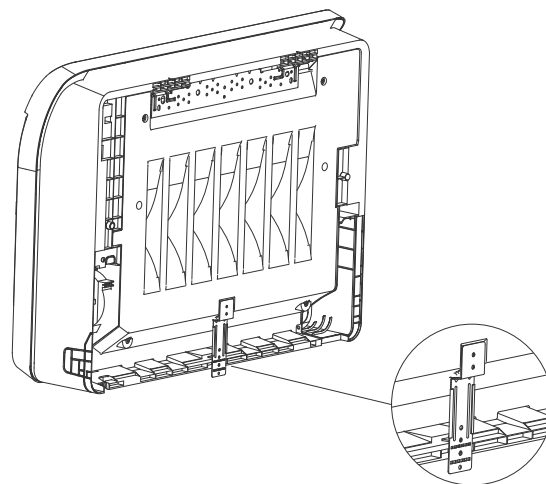
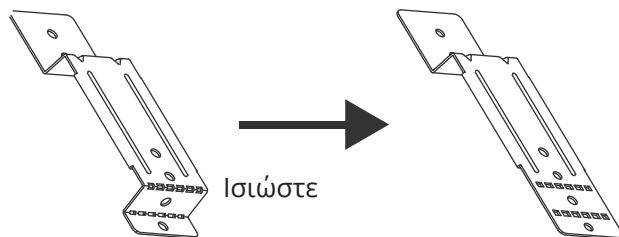


Σωλήνας ψυκτικού υγρού

Σωλήνας αποστράγγισης Καλώδιο ρεύματος

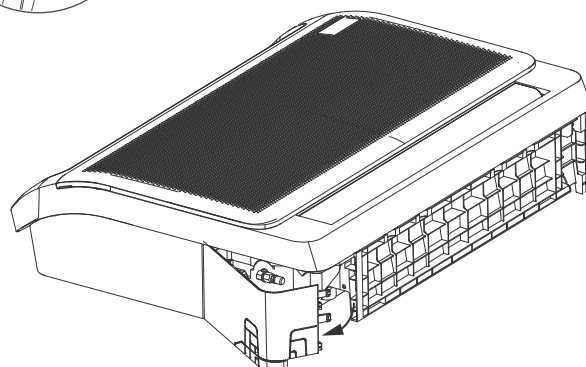
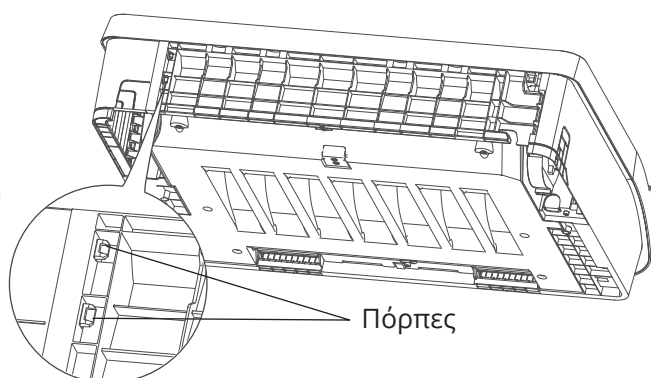
**ΣΗΜΕΙΩΣΗ:** Για την ομαλή αποστράγγιση, η θέση του σωλήνα αποστράγγισης πρέπει να ακολουθεί τη θέση που αναφέρεται στο παραπάνω σχήμα κατά την εκκένωση του δεξιού σωλήνα.

- Εγκατάσταση σε τοίχο με σοβατεπί  
Ισιώστε τη μια άκρη της κάτω βάσης τοποθέτησης ώστε να μπορέσει να ταιριάξει στο τοίχο με το σοβατεπί



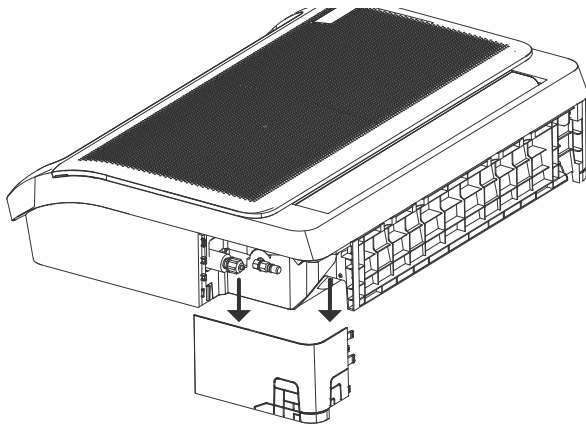
### Βήμα 3: Απομάκρυνση της εσωτερικής μονάδας για τη σύνδεση των καλωδίων

1. Ανοίξτε το κάλυμμα των σωληνώσεων στο κάτω μέρος. Πιέστε και κρατήστε τις δύο κάτω πόρτες και, στη συνέχεια, περιστρέψτε τις για να ανοίξετε το κάλυμμα



## 2. Αφαιρέστε το κάλυμμα

Αφαιρέστε το κάλυμμα και τοποθετήστε τους εσωτερικούς και εξωτερικούς σωλήνες σύνδεσης.



**ΣΗΜΕΙΩΣΗ:** Εγκαταστήστε πρώτα τις σωληνώσεις μικρού μεγέθους και στη συνέχεια τις σωληνώσεις μεγάλου μεγέθους.

**ΣΗΜΕΙΩΣΗ:** Όλες οι οδηγίες στο παρόν εγχειρίδιο παρέχονται για επεξηγηματικούς λόγους. Το κλιματιστικό που έχετε αγοράσει ενδέχεται να παρουσιάζει διαφορές.

## Βήμα 4: Ρύθμιση διεύθυνσης δικτύου (ορισμένα μοντέλα)

(Μόνο η μονάδα των 18000Btu/h έχει τη λειτουργία ρύθμισης διεύθυνσης δικτύου.)

Κάθε κλιματιστικό διαθέτει μόνο ένα δίκτυο για να διαχωρίζετε από το άλλο. Ο κωδικός διεύθυνσης του κλιματιστικού στο LAN ορίζεται από κωδικοποιητές S1 & S2 στην κεντρική πλακέτα ελέγχου της εσωτερικής μονάδας και το εύρος ρυθμίσεων είναι 0-63.

Αλλαγή διακόπτη		Κωδικός διεύθυνσης δικτύου
S1	S2	
		00~15
		16~31
		32~47
		48-63

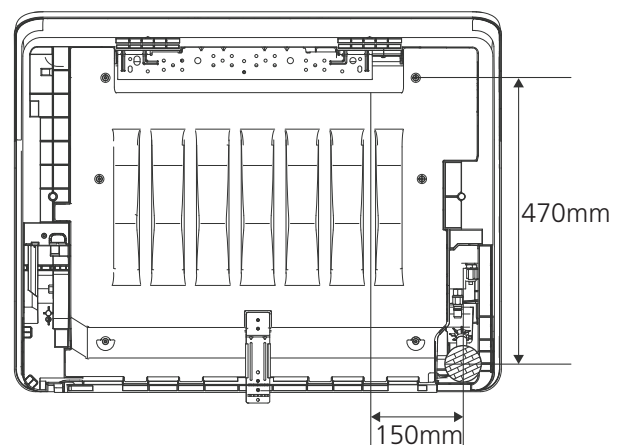
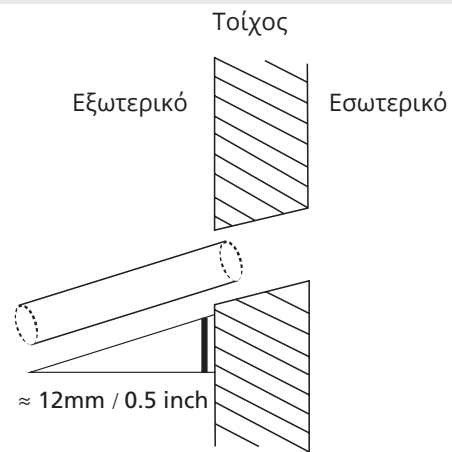
## Βήμα 5: Άνοιγμα τρύπας στον τοίχο για τις σωληνώσεις σύνδεσης

- Καθορίστε τον σημείο για το άνοιγμα στον τοίχο με βάση τη θέση της εξωτερικής μονάδας.
- Χρησιμοποιώντας ένα τρυπάνι 65 mm (2.5"), ανοίξτε μια οπή στο τοίχο. Βεβαιωθείτε ότι η οπή έχει ανοιχτεί με μικρή γωνία προς τα κάτω, έτσι ώστε το εξωτερικό άκρο της οπής να είναι χαμηλότερο από το εσωτερικό άκρο κατά περίπου 12 mm (0,5"). Αυτό θα διασφαλίσει την ορθή αποστράγγιση του νερού
- Τοποθετήστε το προστατευτικό κάλυμμα της οπής στον τοίχο για προστασία και καλύτερη στεγανοποίηση μόλις ολοκληρώσετε την εγκατάσταση



### ΣΗΜΕΙΩΣΗ

Κατά τη διάτρηση της οπής, φροντίστε να μην τρυπήσετε καλώδια, σωλήνες ύδρευσης και άλλες ευαίσθητες εγκαταστάσεις.



Συνιστώμενη θέση και μέγεθος του πίσω σωλήνα εξόδου μέσω της οπής στον τοίχο



## Βήμα 6: Σύνδεση του σωλήνα αποστράγγισης

Ο σωλήνας αποστράγγισης χρησιμοποιείται για την αποστράγγιση του νερού από τη μονάδα. Η εσφαλμένη εγκατάσταση μπορεί να προκαλέσει ζημιά στην μονάδα και υλικών ζημιών.

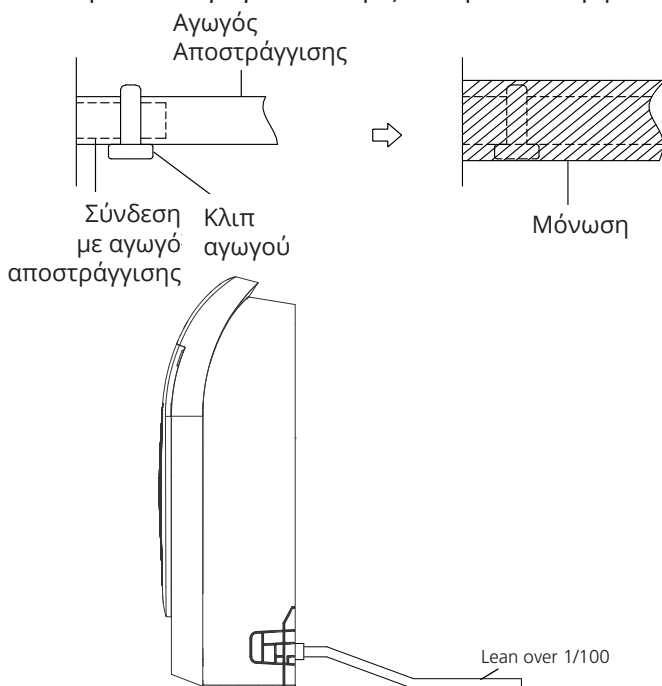
### ⚠ ΣΗΜΕΙΩΣΗ

- Μονώστε όλες τις σωληνώσεις για να αποφύγετε τη συμπύκνωση, η οποία μπορεί να προκαλέσει φθορά.
- Εάν η σωλήνας αποχέτευσης κάμπτεται ή έχει εγκατασταθεί λανθασμένα, το νερό μπορεί να διαρρεύσει και να προκαλέσει δυσλειτουργία.
- Στη λειτουργία ΘΕΡΜΑΝΣΗΣ, η εξωτερική μονάδα θα αποβάλει νερό. Βεβαιωθείτε ότι ο εύκαμπτος σωλήνας αποστράγγισης έχει τοποθετηθεί σωστά, προς αποφυγή οποιασδήποτε διαρροής.
- ΜΗΝ τραβάτε με δύναμη την σωλήνα αποχέτευσης, καθώς ενδέχεται να την αποσυνδέσετε.

### ΣΗΜΕΙΩΣΗ ΓΙΑ ΤΗΝ ΑΓΟΡΑ ΣΩΛΗΝΩΝ

Η εγκατάσταση απαιτεί σωλήνα πολυαιθυλενίου (εξωτερική διάμετρος = 3.7- 3.9cm, εσωτερική διάμετρος= 3.2cm), τα οποία μπορείτε να προμηθευτείτε από κατάστημα ή τον επίσημο αντιπρόσωπο.

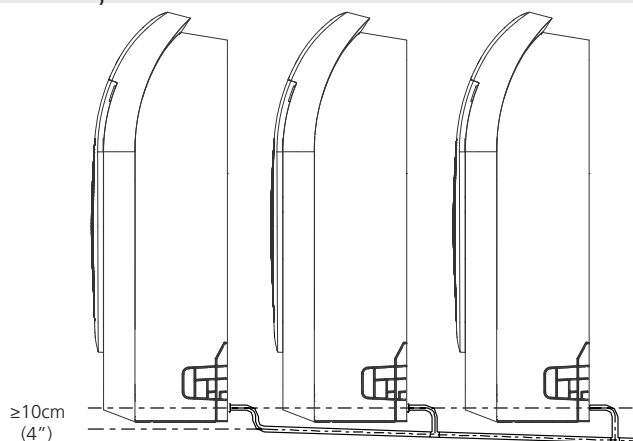
1. Καλύψτε την σωλήνα αποχέτευσης με θερμομόνωση για να αποτρέψτε τη συμπύκνωση και τη διαρροή.
2. Συνδέστε το στόμιο της σωλήνας αποστράγγισης στην σωλήνα εξαγωγής της μονάδας. Γυρίστε το στόμιο του αγωγού και σφίξτε το με ένα καρφί.



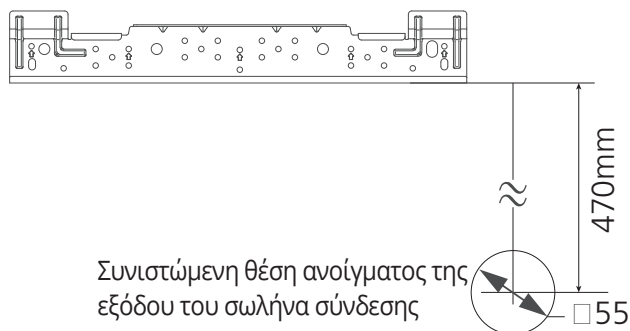
### ΣΗΜΕΙΩΣΗ ΓΙΑ ΕΓΚΑΤΑΣΤΑΣΗ ΑΠΟΧΕΥΤΕΥΣΗΣ

- Όταν χρησιμοποιείτε εκτεταμένη σωλήνα αποχέτευσης, σφίξτε την εσωτερική σύνδεση με μια πρόσθετη σωλήνα προστασίας. Αυτό το εμποδίζει από το να λυθεί.
- Η αγωγός αποστράγγισης πρέπει να κλίνει προς τα κάτω με γωνία τουλάχιστον 1/100 ώστε να αποτρέψει την επιστροφή του νερού πίσω στο κλιματιστικό.
- Εσφαλμένη εγκατάσταση μπορεί να προκαλέσει την επιστροφή του νερού στη μονάδα με αποτέλεσμα να πλημμυρίσετε.

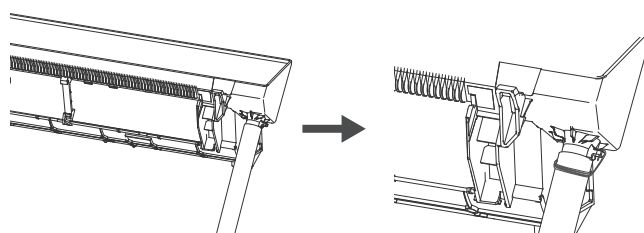
**ΣΗΜΕΙΩΣΗ:** Κατά τη σύνδεση πολλαπλών σωληνών αποστράγγισης, εγκαταστήστε τους σωλήνες όπως απεικονίζεται



Για να διασφαλιστεί η ομαλή αποστράγγιση, η διαφορά ύψους μεταξύ της επιτοίχιας εξόδου και της πλάκας ανάρτησης πρέπει να είναι μεγαλύτερη από 470 mm.



Απαιτήσεις στερέωσης σωληνών αποστράγγισης. Κατά την εγκατάσταση του σωλήνα αποστράγγισης (δεν παρέχεται), στερεώστε τον με μια γραβάτα ή ένα σχοινί.



# Εγκατάσταση Εξωτερικής μονάδας

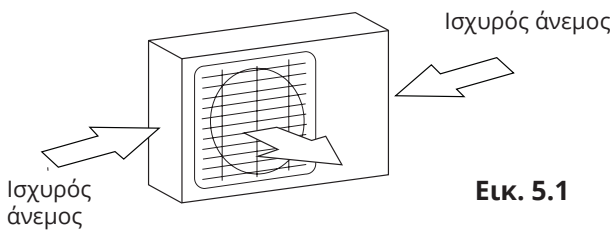
# 5

## Οδηγίες εγκατάστασης εξωτερικής μονάδας

### Βήμα 1: Επιλέξτε τη θέση εγκατάστασης.

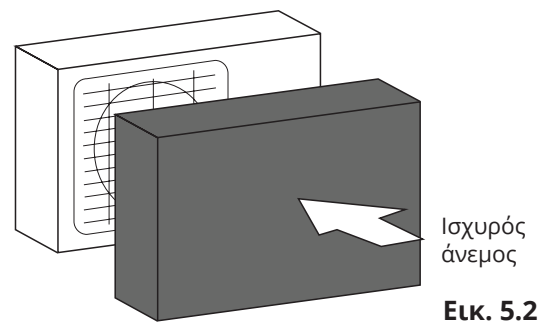
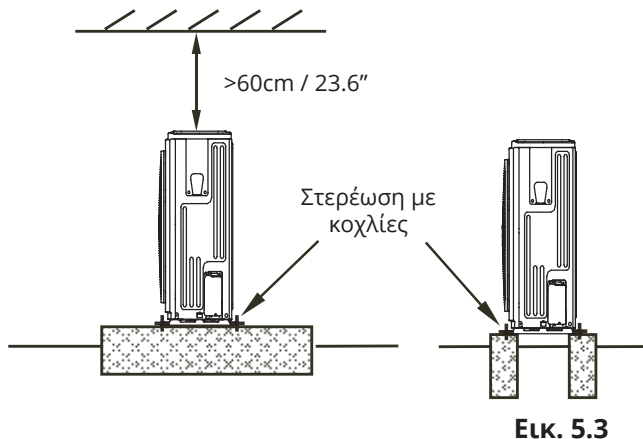
Η εξωτερική μονάδα θα πρέπει να εγκατασταθεί σε θέση που να καλύπτει τις παρακάτω προϋποθέσεις:

- ☑ Τοποθετήστε την εξωτερική μονάδα όσο το δυνατόν πλησιέστερα στην εσωτερική μονάδα.
  - ☑ Φροντίστε να υπάρχει αρκετός χώρος για εγκατάσταση και συντήρηση.
  - ☑ Η εισαγωγή και εξαγωγή αέρα δεν πρέπει να φράζονται ή να εκτίθενται σε ισχυρούς ανέμους.
  - ☑ Βεβαιωθείτε ότι η θέση της μονάδας δεν επηρεάζεται από χιόνι, συσσωρευμένα φύλλα ή άλλα φερτά αντικείμενα. Αν είναι εφικτό, τοποθετήστε κάποιο κάλυμμα (τέντα) επάνω από τη μονάδα. Φροντίστε το κάλυμμα να μην παρεμποδίζει τη ροή του αέρα.
  - ☑ Η περιοχή εγκατάστασης θα πρέπει να είναι στεγνή και καλά αεριζόμενη.
  - ☑ Πρέπει να υπάρχει αρκετός χώρος για την εγκατάσταση των συνδετήριων σωλήνων και καλωδίων και για πρόσβαση σε αυτά για συντήρηση.
- ☐ Η περιοχή δεν πρέπει να επιβαρύνεται από εύφλεκτα αέρια και χημικά.
  - ☐ Το μήκος σωλήνα μεταξύ εσωτερικής / εξωτερικής μονάδας δε θα πρέπει να υπερβαίνει το μέγιστο επιτρεπόμενο μήκος σωλήνα.
  - ☐ Αν είναι δυνατό, ΜΗΝ τοποθετείτε τη μονάδα σε θέση εκτεθειμένη σε έντονο ηλιακό φως.
  - ☐ Φροντίστε η μονάδα να βρίσκεται μακριά από τις γειτονικές κατοικίες για να μην ενοχλούνται από το θόρυβο της μονάδας. Εάν η θέση είναι εκτεθειμένη σε ισχυρό άνεμο, για παράδειγμα: κοντά σε ακτή, η μονάδα θα πρέπει να τοποθετηθεί πολύ κοντά σε επιφάνεια τοίχου για να προστατεύεται από τον άνεμο. Εάν είναι απαραίτητο, χρησιμοποιήστε τέντα. (Βλέπε Εικ. 5.1 και 5.2)
  - ☐ Εγκαταστήστε την εσωτερική / εξωτερική μονάδα, τα καλώδια και τους αγωγούς τους σε απόσταση τουλάχιστον 1 μέτρο από συσκευές τηλεόρασης ή ραδιοφώνου για να αποφεύγονται παράσιτα ή παραμόρφωση της εικόνας. Ανάλογα με τη συχνότητα των ραδιοκυμάτων, η απόσταση του 1 μέτρου ενδεχομένως να μην είναι αρκετή για να αποφευχθούν όλες οι παρεμβολές.



### Βήμα 2: Τοποθέτηση εξωτερικής μονάδας.

Στερεώστε την εξωτερική μονάδα με αγκυροειδείς βίδες (M10)

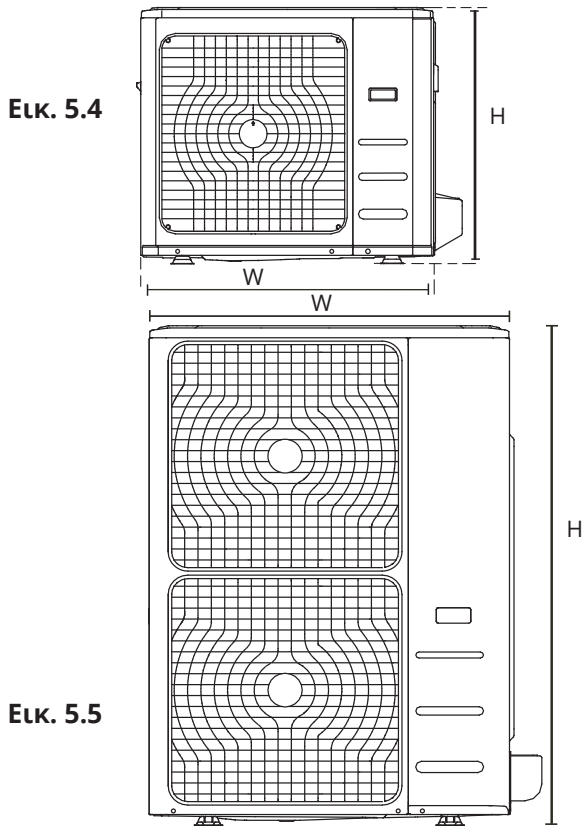


## ΠΡΟΣΟΧΗ

- Φροντίστε να αφαιρέσετε τυχόν εμπόδια στην κυκλοφορία του αέρα.
- Φροντίστε να συμβουλευθείτε τις Προδιαγραφές Μήκους προκειμένου να διαπιστώσετε εάν υπάρχει αρκετός χώρος για εγκατάσταση και συντήρηση.

## Εξωτερική μονάδα διαιρούμενου τύπου

(Συμβουλευθείτε την Εικ 5.4, 5.5, 5.6, 5.10 και τον Πίνακα 5.1)

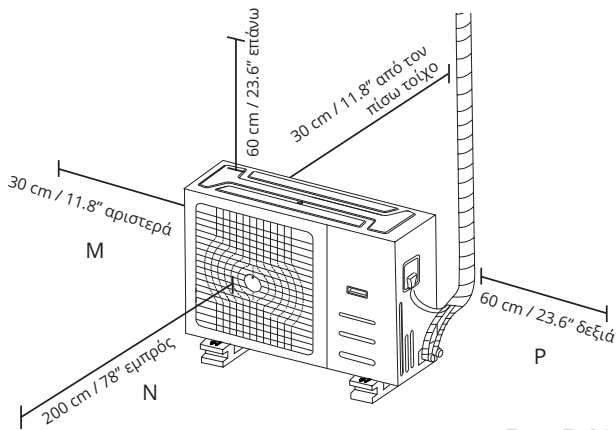


**Πίνακας 5.1: Προδιαγραφές μήκους για την εξωτερική μονάδα διαιρούμενου τύπου (μονάδα: mm/inch)**

Διαστάσεις Εξωτερικής Μονάδας (ΜxΥxΒ)	Διαστάσεις συναρμογής	
	Απόσταση Α	Απόσταση Β
760x590x285 (29.9x23.2x11.2)	530 (20.85)	290 (11.4)
810x558x310 (31.9x22x12.2)	549 (21.6)	325 (12.8)
845x700x320 (33.27x27.5x12.6)	560 (22)	335 (13.2)
900x860x315 (35.4x33.85x12.4)	590 (23.2)	333 (13.1)
945x810x395 (37.2x31.9x15.55)	640 (25.2)	405 (15.95)
990x965x345 (38.98x38x13.58)	624 (24.58)	366 (14.4)
938x1369x392 (36.93x53.9x15.43)	634 (24.96)	404 (15.9)
900x1170x350 (35.4x46x13.8)	590 (23.2)	378 (14.88)
800x554x333 (31.5x21.8x13.1)	514 (20.24)	340 (13.39)
845x702x363 (33.27x27.6x14.3)	540 (21.26)	350 (13.8)
946x810x420 (37.24x31.9x16.53)	673 (26.5)	403 (15.87)
946x810x410 (37.24x31.9x16.14)	673 (26.5)	403 (15.87)
952x1333x410 (37.5x52.5x16.14)	634 (24.96)	404 (15.9)
952x1333x415 (37.5x52.5x16.34)	634 (24.96)	404 (15.9)
890x673x342 (35x26.5x13.46)	663 (26.1)	354 (13.94)



**ΣΗΜΕΙΩΣΗ:** Η ελάχιστη απόσταση μεταξύ της εξωτερικής μονάδας και των τοίχων, όπως περιγράφεται στον οδηγό εγκατάστασης, δεν ισχύει για ερμητικά κλειστά δωμάτια. Φροντίστε να διατηρείτε τη μονάδα χωρίς εμπόδια σε τουλάχιστον δύο από τις τρεις κατευθύνσεις (M, N, P) (Βλέπε Εικ. 5.10)

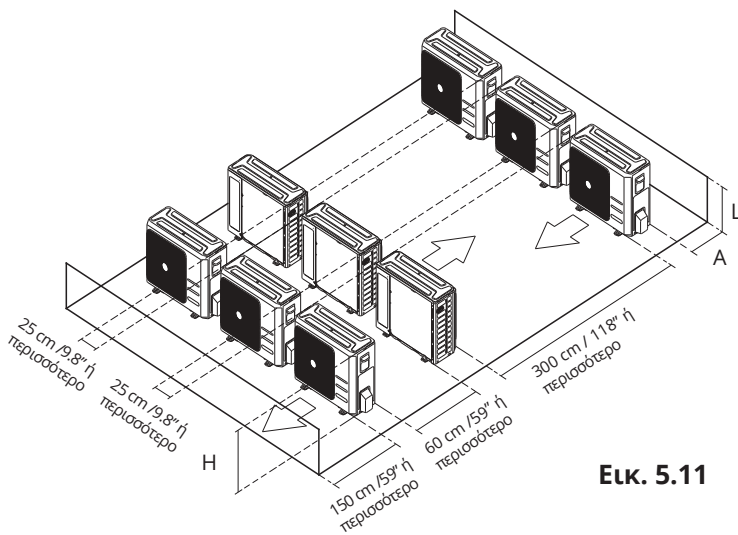


Εικ. 5.10

### Σειρές σε εν σειρά εγκατάσταση

Πίνακας 5.3.: Οι σχέσεις ανάμεσα στα H, A και L είναι οι εξής.

	L	A
L ≤ H	L < 1/2H	25 cm / 9.8" ή περισσότερο
	1/2H < L < H	30 cm / 11.8" ή περισσότερο
L > H	Δε μπορεί να εγκατασταθεί	



Εικ. 5.11

### Τοποθέτηση συνδέσμου αποχέτευσης

Εάν ο σύνδεσμος αποχέτευσης διαθέτει ελαστικό παρέμβυσμα (βλέπε εικ. 5.12 - B), κάντε τα εξής:

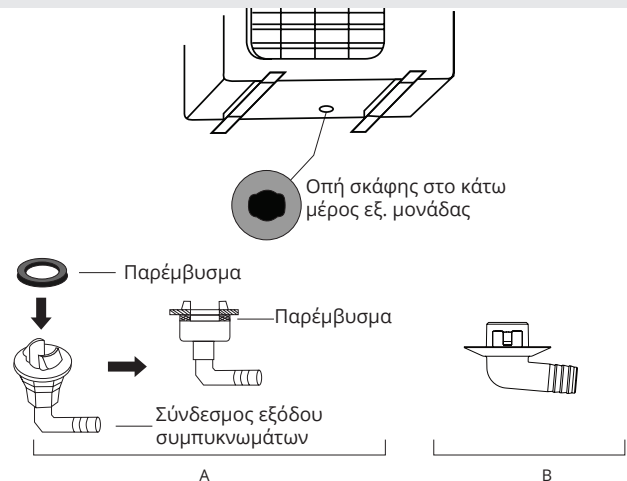
1. Τοποθετήστε το ελαστικό παρέμβυσμα στο άκρο του συνδέσμου αποχέτευσης που συνδέεται με την εξωτερική μονάδα.

2. Εισαγάγετε τον σύνδεσμο αποχέτευσης μέσα στην οπή στον δίσκο συλλογής συμπυκνωμάτων της μονάδας.
3. Περιστρέψτε τον σύνδεσμο αποχέτευσης κατά 90° μέχρι να κουμπώσει στη θέση του όντας στραμμένος προς το μπροστινό μέρος της μονάδας.
4. Συνδέστε μια προέκταση για τον σωλήνα αποχέτευσης (δε συμπεριλαμβάνεται) στον σύνδεσμο αποχέτευσης για να κατευθύνετε το νερό μακριά από τη μονάδα όταν λειτουργεί στη θέρμανση.

Εάν ο σύνδεσμος αποχέτευσης δε διαθέτει ελαστικό παρέμβυσμα (βλέπε εικ. 5.12 - B), ενεργήστε ως ακολούθως:

1. Εισαγάγετε τον σύνδεσμο αποχέτευσης μέσα στην οπή στον δίσκο συλλογής συμπυκνωμάτων της μονάδας. Ο σύνδεσμος αποχέτευσης θα κουμπώσει στη θέση του.
2. Συνδέστε μια προέκταση για τον σωλήνα αποχέτευσης (δε συμπεριλαμβάνεται) στον σύνδεσμο αποχέτευσης για να κατευθύνετε το νερό μακριά από τη μονάδα όταν λειτουργεί στη θέρμανση.

**ΣΗΜΕΙΩΣΗ:** Φροντίστε το νερό να αποστραγγίζει προς ασφαλές σημείο όπου να μην προκαλείται ζημιά από το νερό ή να υπάρχει κίνδυνος ολίσθησης.



Εικ. 5.12

### Σημειώσεις για τη διάτρηση οπών σε τοιχοποιία

Απαιτείται η διάτρηση οπής στην τοιχοποιία για τη σωλήνωση του ψυκτικού και το καλώδιο σήματος με το οποίο συνδέεται η εσωτερική με την εξωτερική μονάδα.

1. Εντοπίστε τη θέση της οπής με βάση τη θέση της εξωτερικής μονάδας.
2. Χρησιμοποιώντας ποτηροτρύπανο 65mm (2.5in) ή 90mm (3.54in), ανοίξτε μια οπή στον τοίχο.

**ΣΗΜΕΙΩΣΗ:** Κατά τη διάτρηση της τοιχοποιίας, φροντίστε να μην τρυπήσετε καλώδια, σωλήνες ύδρευσης και άλλες ευαίσθητες εγκαταστάσεις.

3. Τοποθετήστε το προστατευτικό χιτώνιο στην οπή. Έτσι προστατεύονται τα άκρα του ανοίγματος της οπής και διευκολύνεται η σφράγιση με το τέλος της διαδικασίας της εγκατάστασης.

# Συνδέσεις σωληνώσεων ψυκτικού

# 6

## Προφυλάξεις Ασφαλείας



### ΠΡΟΕΙΔΟΠΟΙΗΣΗ

- Όλες οι σωληνώσεις στον χώρο εγκατάστασης πρέπει να ολοκληρώνονται από έναν εξειδικευμένο τεχνικό και να συμμορφώνονται με τους τοπικούς και εθνικούς κανονισμούς.
- Όταν η κλιματιστική μονάδα τοποθετείται σε μικρό δωμάτιο, πρέπει να ληφθούν μέτρα ώστε η συγκέντρωση ψυκτικού στο δωμάτιο να μην υπερβεί το όριο ασφαλείας στην περίπτωση διαρροής ψυκτικού. Εάν η διαρροή ψυκτικού και η συγκέντρωσή του υπερβαίνει το προβλεπόμενο όριο, ενδέχεται να προκύψουν κίνδυνοι λόγω έλλειψης οξυγόνου.
- Κατά την εγκατάσταση του συστήματος ψύξης, φροντίστε να μην εισέλθουν στο κύκλωμα του ψυκτικού αέρας, σκόνη, υγρασία ή ξένα σώματα. Η ρύπανση του συστήματος μπορεί να μειώσει την ψυκτική ικανότητα ή να προκαλέσει υψηλή πίεση στον ψυκτικό κύκλο, έκρηξη ή τραυματισμό.
- Αερίστε αμέσως τον χώρο εάν υπάρχει διαρροή ψυκτικού κατά την εγκατάσταση. Το διαρρέον ψυκτικό αέριο είναι και τοξικό και εύφλεκτο. Φροντίστε να μην υπάρχει διαρροή ψυκτικού μετά την ολοκλήρωση της εργασίας εγκατάστασης.

## Σημειώσεις για το μήκος και το ύψος των σωλήνων

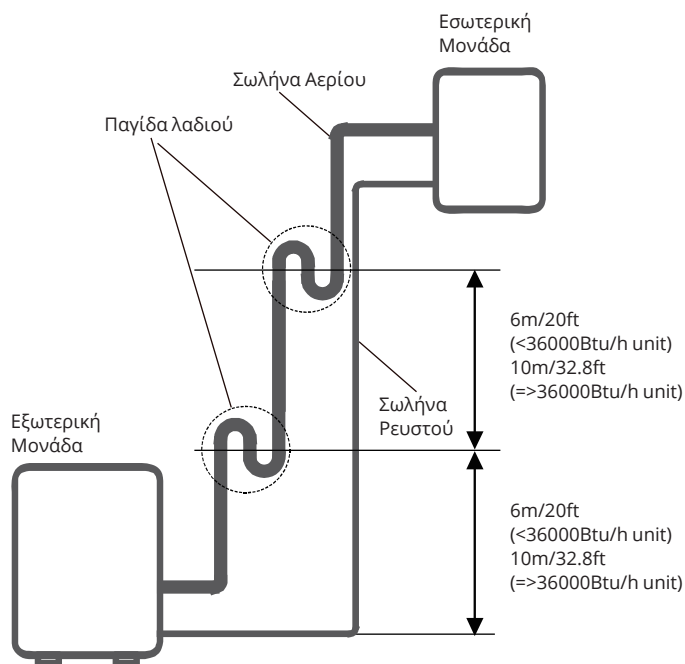
Βεβαιωθείτε ότι το μήκος του σωλήνα ψυκτικού μέσου, ο αριθμός των καμπύλων και η υψομετρική διαφορά ανάμεσα στην εσωτερική και την εξωτερική μονάδα πληρούν τις προϋποθέσεις του Πίνακα 7.1:

### Πίνακας 7.1: Μέγιστο μήκος και υψομετρική διαφορά ανάλογα με το μοντέλο (Μονάδα: m/ft.)

Τύπος μοντέλου	Απόδοση (Btu/h)	Μήκος σωλήνων	Μέγιστη υψομετρική διαφορά
Βόρειος Αμερική, Αυστραλία και ΕΕ μετατροπή συχνότητας, Διαιρούμενου τύπου	<15K	25/82	10/32.8
	>15K-<24K	30/98.4	20/65.6
	>24K-<36K	50/164	25/82
	>36K-<60K	65/213	30/98.4
Άλλος διαιρούμενος τύπος	12K	15/49	8/26
	18K-24K	25/82	15/49
	30K-36K	30/98.4	20/65.6
	42K-60K	50/164	30/98.4

## ! ΠΡΟΣΟΧΗ

- Παγίδες λαδιού
- Αν το πετρέλαιο ρέει πίσω στην εξωτερική μονάδα συμπιεστή, μπορεί να προκαλέσει συμπίεση του υγρού ή φθορά κατά την επιστροφή του λαδιού. Οι παγίδες πετρελαίου στις ανυψωμένες σωληνώσεις αερίου μπορούν να το αποτρέψουν.  
Μια παγίδα πετρελαίου πρέπει να εγκαθίσταται ανά 6m (20ft) ή 10m (32.8ft) του κατακόρυφου σωλήνα αναρρόφησης. (Βλ. Σχ. 7.2)



Εικ. 7.2

## Οδηγίες συνδέσεων σωληνώσεων ψυκτικού



### ΠΡΟΣΟΧΗ

- Ο σωλήνας διακλάδωσης πρέπει να τοποθετείται οριζόντια. Γωνία άνω των 10° μπορεί να προκαλέσει δυσλειτουργία.
- **ΜΗΝ** τοποθετείτε τον συνδετήριο σωλήνα μέχρι να εγκατασταθούν τόσο η εσωτερική όσο και η εξωτερική μονάδα.
- Μονώστε τις σωληνώσεις αερίου και υγρού για να αποφεύγεται διαρροή νερού.

### Βήμα 1: Κοπή των σωληνών

Κατά την προετοιμασία των σωληνών ψυκτικού, προσέξτε πολύ τη σωστή κοπή και εκχέλιωση αυτών. Έτσι θα εξασφαλιστεί αποδοτική λειτουργία και ελάχιστες ανάγκες μελλοντικής συντήρησης.

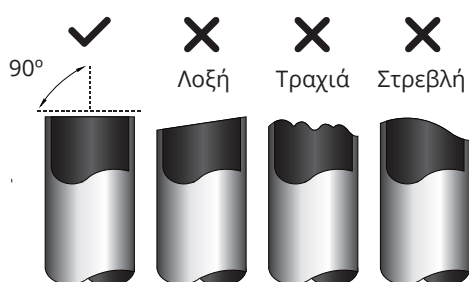
1. Μετρήστε την απόσταση μεταξύ εσωτερικών και εξωτερικών μονάδων.
2. Με κόφτη σωληνών, κόψτε τον σωλήνα λίγο παραπάνω από την απόσταση που μετρήσατε.



### ΠΡΟΣΟΧΗ

**ΜΗΝ** παραμορφώνετε το σωλήνα κατά την κοπή. Προσέξτε πάρα πολύ να αποφύγετε ζημιές, αμυχές ή παραμορφώσεις του σωλήνα κατά την κοπή. Κάτι τέτοιο θα μειώσει δραστικά την απόδοση θέρμανσης της μονάδας.

1. Φροντίστε να κόψετε το σωλήνα σε γωνία ακριβώς 90°. Συμβουλευθείτε την εικ. 7.4 για παραδείγματα άτεχνων κοπών



Εικ. 7.4

### Βήμα 2: Αφαιρέστε τα γρέζια.

Τα γρέζια μπορεί να εμποδίσουν την ερμητική ένωση ανάμεσα στα τμήματα σωληνών ψυκτικού. Θα πρέπει να απομακρυνθούν τελείως.

1. Κρατήστε τον σωλήνα με κλίση προς τα κάτω για να μην πέσουν τα γρέζια μέσα στον σωλήνα.
2. Με εργαλείο διεύρυνσης ή ξεχονδρίσματος, αφαιρέστε όλα τα γρέζια από το κομμένο τμήμα του σωλήνα.

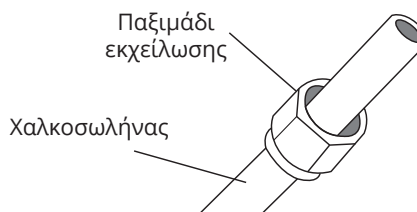


Εικ. 7.5

### Βήμα 3: Εκχέλιωση άκρων σωληνά

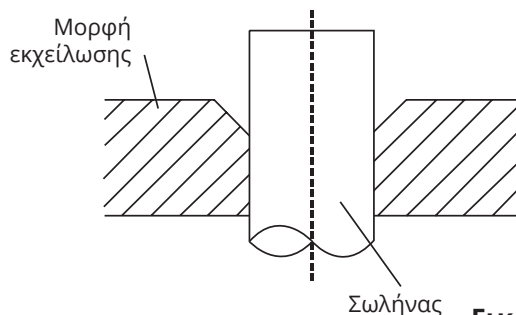
Η κατάλληλη εκχέλιωση είναι ουσιώδης για να πετύχουμε αεροστεγή σφράγιση.

1. Μετά την αφαίρεση των γρεζιών από τον κομμένο σωλήνα, σφραγίστε τα άκρα με ταινία PVC για να μην εισέλθουν ξένα υλικά στον σωλήνα.
2. Καλύψτε τον σωλήνα με μονωτικό υλικό.
3. Τοποθετήστε κωνικά παξιμάδια και στα δύο άκρα του σωλήνα. Φροντίστε να είναι στραμμένα προς τη σωστή κατεύθυνση, διότι μετά την εκχέλιωση δεν είναι δυνατή η αλλαγή τους. Βλέπε Εικ. 7.6.



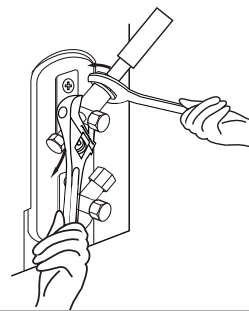
Εικ. 7.6

4. Αφαιρέστε την ταινία PVC από τα άκρα του σωλήνα όταν είστε έτοιμοι για την εργασία εκχέλιωσης.
5. Στερεώστε τον κώνο εκχέλιωσης στο άκρο του σωλήνα. Το άκρο του σωλήνα πρέπει να εκτείνεται πέρα από τον κώνο εκχέλιωσης.



Εικ. 7.7

6. Τοποθετήστε το εκχειλωτικό επάνω στον κώνο εκχείλωσης.
7. Γυρίστε δεξιόστροφα τη χειρολαβή του εκχειλωτικού μέχρι να γίνει πλήρως η εκχείλωση του σωλήνα. Κάντε εκχείλωση σύμφωνα με τις διαστάσεις που παρουσιάζονται στον πίνακα 7.3.



Εικ. 7.10

### Πίνακας 7.3: ΕΠΕΚΤΑΣΗ ΣΩΛΗΝΩΣΗΣ ΠΕΡΑ ΑΠΟ ΤΟΝ ΕΚΧΕΙΛΩΤΙΚΟ ΚΩΝΟ

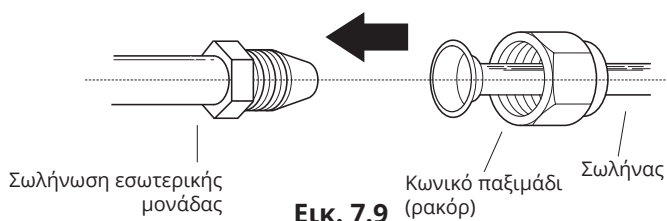
Διάμετρος σωλήνα	Ροπή σύσφιξης	Διάσταση εκχείλωσης (Α) (μονάδα: mm/Inch)		Σχήμα κωνικής σύνδεσης
		Ελάχ.	Μεγ.	
Ø 6.4	18-20 N.m (183-204 kgf.cm)	8.4/0.33	8.7/0.34	<p>Εικ. 7.8</p>
Ø 9.5	25-26 N.m (255-265 kgf.cm)	13.2/0.52	13.5/0.53	
Ø 12.7	35-36 N.m (357-367 kgf.cm)	16.2/0.64	16.5/0.65	
Ø 15.9	45-47 N.m (459-480 kgf.cm)	19.2/0.76	19.7/0.78	
Ø 19.1	65-67 N.m (663-683 kgf.cm)	23.2/0.91	23.7/0.93	
Ø 22	75-85 N.m (765-867 kgf.cm)	26.4/1.04	26.9/1.06	

8. Αφαιρέστε το εκχειλωτικό και τον κώνο εκχείλωσης, στη συνέχεια επιθεωρήστε το άκρο του σωλήνα εάν υπάρχουν ρωγμές και αν είναι ομοιόμορφη η εκχείλωση.

#### Βήμα 4: Συνδέστε τους σωλήνες

Συνδέστε τους χαλκοσωλήνες πρώτα στην εσωτερική μονάδα, στη συνέχεια συνδέστε στην εξωτερική μονάδα. Θα πρέπει να συνδέσετε αρχικά το σωλήνα χαμηλής πίεσης, στη συνέχεια το σωλήνα υψηλής πίεσης.

1. Κατά τη σύνδεση των ρακόρ, απλώστε ένα λεπτό στρώμα λαδιού για ψυκτικούς σωλήνες στα κωνικά άκρα των σωλήνων.
2. Ευθυγραμμίστε τα κέντρα των δύο σωλήνων που θα συνδέσετε.



Εικ. 7.9

3. Σφίξτε το ρακόρ όσο το δυνατόν πιο σφικτά με το χέρι.
4. Συγκρατήστε το παξιμάδι με πολύγωνο κλειδί επάνω στη σωλήνωση της μονάδας.
5. Κρατήστε σταθερά το παξιμάδι, χρησιμοποιείτε δυναμόκλειδο για να σφίξετε το ρακόρ σύμφωνα με τις τιμές ροπής στον πίνακα 7.5.

**ΣΗΜΕΙΩΣΗ:** Χρησιμοποιήστε τόσο το πολύγωνο κλειδί όσο και δυναμόκλειδο κατά τη σύνδεση ή αποσύνδεση σωλήνων προς/από τη μονάδα.



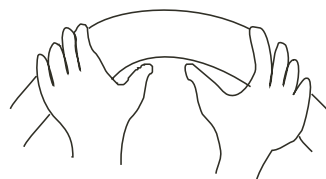
#### ΠΡΟΣΟΧΗ

- Φροντίστε να τυλίξετε τη μόνωση γύρω από τη σωλήνωση. Η απευθείας επαφή με γυμνό σωλήνα μπορεί να προκαλέσει εγκαύματα ή κρυσπαγήματα.
- Βεβαιωθείτε ότι ο σωλήνας έχει συνδεθεί σωστά. Τυχόν υπερβολικό σφίξιμο μπορεί να προκαλέσει βλάβη στο διευρυμένο στόμιο και υπερβολικά ασθενής σύσφιξη να συντελέσει σε διαρροή.

#### ΣΗΜΕΙΩΣΗ ΓΙΑ ΤΗΝ ΕΛΑΧΙΣΤΗ ΑΚΤΙΝΑ ΚΑΜΨΗΣ

Λυγίστε προσεκτικά τη σωλήνωση στο μέσον με βάση το παρακάτω διάγραμμα. **ΜΗΝ** λυγίζετε τις σωληνώσεις περισσότερο από 90° ή περισσότερες από 3 φορές.

Λυγίστε τον σωλήνα με τον αντίχειρα



ελάχ. ακτίνα 10cm (3.9")

Εικ. 7.11

6. Μετά τη σύνδεση των χαλκοσωλήνων στην εσωτερική μονάδα, τυλίξτε το καλώδιο ρεύματος, το καλώδιο σήματος και τη σωλήνωση μαζί με ταινία καλλωπισμού.

**ΣΗΜΕΙΩΣΗ:** **ΜΗΝ** συστρέψετε το καλώδιο σήματος με τα άλλα καλώδια. Όταν δένετε σε δεσμίδα τα παραπάνω, μη συστρέψετε και μη διασταυρώνετε το καλώδιο σήματος με οποιοδήποτε άλλο καλώδιο.

7. Περάστε αυτή τη δεσμίδα διαμέσου του τοίχου και συνδέστε την με την εξωτερική μονάδα.
8. Μονώστε όλες τις σωληνώσεις, συμπεριλαμβανομένων των βαλβίδων της εξωτερικής μονάδας.
9. Ανοίξτε τις βαλβίδες διακοπής της εξωτερικής μονάδας για να ξεκινήσετε τη ροή του ψυκτικού μεταξύ της εσωτερικής και της εξωτερικής μονάδας.



#### ΠΡΟΣΟΧΗ

Βεβαιωθείτε ότι δεν υπάρχει διαρροή ψυκτικού μετά την ολοκλήρωση της εργασίας εγκατάστασης. Εάν υπάρχει διαρροή ψυκτικού, αερίστε αμέσως τον χώρο και εκκενώστε το σύστημα (συμβουλευθείτε την ενότητα Εκκένωση αέρα αυτού του εγχειριδίου).



## Προφυλάξεις ασφαλείας



### ΠΡΟΕΙΔΟΠΟΙΗΣΗ

- Φροντίστε να αποσυνδέσετε την τροφοδοσία ρεύματος πριν από την εργασία στη μονάδα.
- Το σύνολο της καλωδίωσης ρεύματος θα πρέπει να γίνεται σύμφωνα με τοπικούς και εθνικούς κανονισμούς.
- Η καλωδίωση θα πρέπει να γίνεται από εξειδικευμένο ηλεκτρολόγο. Τυχόν εσφαλμένη σύνδεση μπορεί να προκαλέσει δυσλειτουργία του ηλεκτρικού κυκλώματος, τραυματισμό και πυρκαγιά.
- Για τη μονάδα αυτή θα πρέπει να χρησιμοποιείται ανεξάρτητο κύκλωμα και μια ξεχωριστή πρίζα. **MHN** τοποθετείτε άλλη συσκευή ή φορτιστή στην ίδια πρίζα. Εάν δεν επαρκεί η ισχύς του κυκλώματος ή υπάρχει ατέλεια στην καλωδίωση, μπορεί να προκληθεί ηλεκτροπληξία, πυρκαγιά ή ζημιές στη μονάδα και άλλα αντικείμενα.
- Συνδέστε το καλώδιο ισχύος στους ακροδέκτες και στερεώστε με σφιγκτήρα. Τυχόν εσφαλμένη σύνδεση μπορεί να προκαλέσει πυρκαγιά.
- Βεβαιωθείτε ότι το σύνολο της καλωδίωσης γίνεται σωστά και το κάλυμμα της πλακέτας ελέγχου έχει τοποθετηθεί σωστά. Εάν δε γίνει αυτό μπορεί να προκληθεί υπερθέρμανση στα σημεία σύνδεσης, πυρκαγιά και ηλεκτροπληξία.
- Βεβαιωθείτε ότι η κύρια σύνδεση παροχής γίνεται διαμέσου διακόπτη που απομονώνει όλους τους πόλους, με διάκενο επαφών τουλάχιστον 3mm (0.118").
- **MHN** αλλάζετε το μήκος του καλωδίου ρεύματος και μη χρησιμοποιείτε καλώδια προέκτασης.



### ΠΡΟΣΟΧΗ

- Συνδέστε τα καλώδια της εξωτερικής μονάδας προτού συνδέσετε εκείνα της εσωτερικής.
- Φροντίστε η μονάδα να είναι γειωμένη. Το καλώδιο γείωσης θα πρέπει να οδεύει μακριά από αγωγούς αερίου, σωληνώσεις ύδρευσης, ακίδες αλεξικέραυνων, τηλεφωνικά καλώδια ή άλλους αγωγούς γείωσης. Η εσφαλμένη γείωση μπορεί να προκαλέσει ηλεκτροπληξία.
- **MHN** συνδέετε τη μονάδα με την πηγή ρεύματος μέχρι την ολοκλήρωση του συνόλου των καλωδιώσεων και των σωληνώσεων.
- Φροντίστε να μη διασταυρώνονται τα καλώδια ρεύματος με τα καλώδια σηματοδοσίας. Ενδέχεται να προκληθούν παρεμβολές.

Για να αποφεύγεται τυχόν παραμόρφωση (παράσιτα) κατά την εκκίνηση του συμπιεστή:

- Η μονάδα θα πρέπει να συνδέεται στην κύρια πρίζα ρεύματος. Κανονικά, η τροφοδοσία ρεύματος πρέπει να έχει χαμηλή αντίσταση εισόδου στα 32 Ωμ.
- Καμία άλλη συσκευή δεν πρέπει να συνδέεται στο ίδιο κύκλωμα ισχύος.
- Οι πληροφορίες ισχύος της μονάδας μπορούν να βρεθούν στο ταμπελάκι ονομαστικών στοιχείων του προϊόντος.

### ΠΡΟΣΕΞΤΕ ΤΙΣ ΠΡΟΔΙΑΓΡΑΦΕΣ ΤΗΣ ΑΣΦΑΛΕΙΑΣ

Η πλακέτα του κλιματιστικού έχει σχεδιαστεί να φέρει ασφάλεια για προστασία υπερέντασης. Οι προδιαγραφές της ασφάλειας είναι τυπωμένες στην πλακέτα, π.χ.:

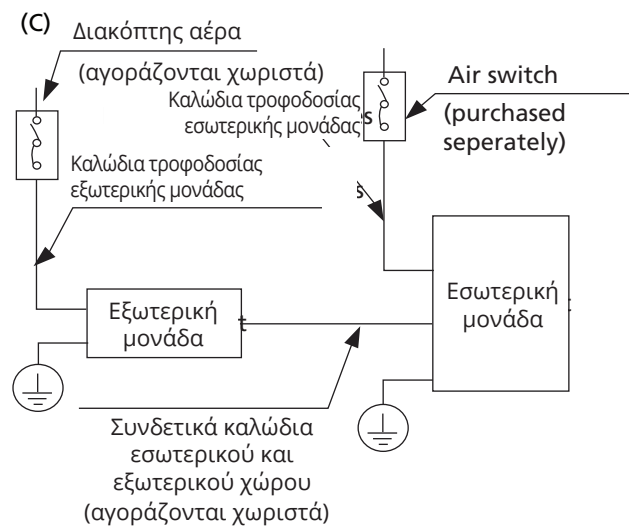
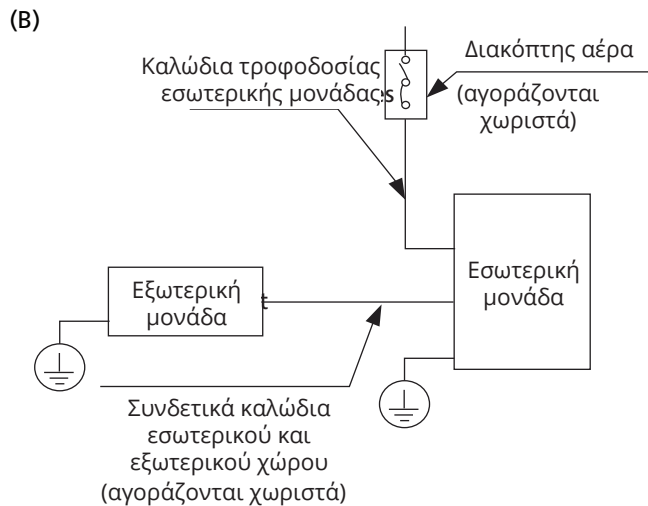
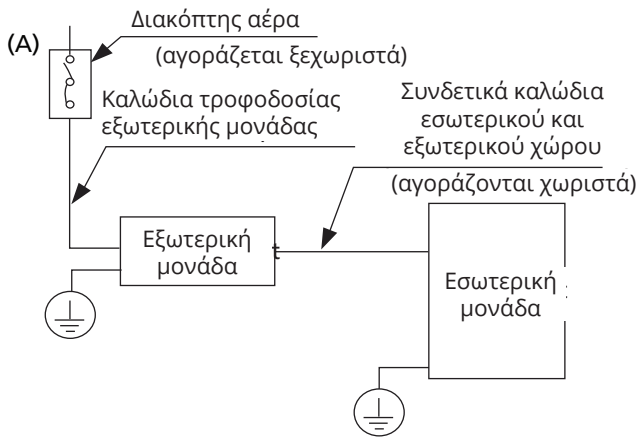
**Εσωτερική μονάδα:** T5A/250VAC, T10A/250VAC.  
(Ισχύει για μονάδα με ψυκτικό R32)

**Εξωτερική μονάδα:** T20A/250VAC(για μονάδα <24000Btu/h), T30A/250VAC(για μονάδα >24000Btu/h)

**ΣΗΜΕΙΩΣΗ:** Η ασφάλεια είναι από κεραμικό υλικό.

### ΣΗΜΕΙΩΣΗ ΓΙΑ ΤΟΝ ΔΙΑΚΟΠΤΗ ΑΕΡΑ

Όταν το μέγιστο ρεύμα του κλιματιστικού είναι πάνω από 16A, πρέπει να χρησιμοποιείται διακόπτης αέρα ή διακόπτης προστασίας διαρροής με προστατευτική διάταξη (αγοράζεται ξεχωριστά). Όταν το μέγιστο ρεύμα του κλιματιστικού είναι μικρότερο από 16A, το καλώδιο τροφοδοσίας του κλιματιστικού πρέπει να είναι εξοπλισμένο με φινις (αγοράζεται χωριστά). Στη Βόρεια Αμερική, η εφαρμογή θα πρέπει να συνδεθεί σύμφωνα με τις απαιτήσεις NEC και CEC.



**ΣΗΜΕΙΩΣΗ:** Τα γραφήματα είναι μόνο για επεξηγηματικούς σκοπούς. Το μηχάνημά σας μπορεί να διαφέρει ελαφρώς.

## Καλωδίωση εξωτερικής μονάδας



### ΠΡΟΕΙΔΟΠΟΙΗΣΗ

Πριν από την πραγματοποίηση οποιασδήποτε ηλεκτρολογικής εργασίας ή καλωδίωσης, κλείστε τη γενική παροχή ρεύματος στο σύστημα.

1. Προετοιμάστε το καλώδιο για τη σύνδεση
  - α. Επιλέξτε το σωστό μέγεθος καλωδίου. Ο τύπος καλωδίου που πρέπει να χρησιμοποιείτε είναι H07RN-F.

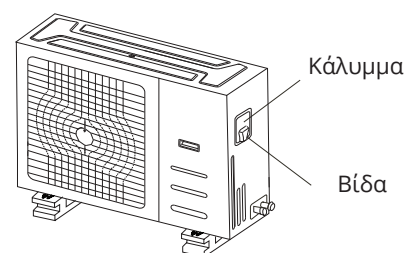
### Ελάχιστο εμβαδόν διατομής των καλωδίων ισχύος και σήματος (για αναφορά)

Ονομαστικό ρεύμα συσκευής (A)	Ονομαστικό εμβαδόν διατομής (mm <sup>2</sup> )
>3 και ≤6	0.75
>6 και ≤10	1
>10 και ≤16	1.5
>16 και ≤25	2.5
>25 και ≤32	4
>32 και ≤40	6

- β. Με απογυμνωτή καλωδίων βγάλτε την ελαστική μόνωση από τα δύο άκρα του καλωδίου σήματος για να αποκαλυφθούν περίπου 15cm (5.9") από τα καλώδια που περιέχει.
- γ. Κόψτε τη μόνωση από τα άκρα των συρμάτων.
- δ. Χρησιμοποιώντας πρέσα για καλώδια, συμπιέστε τους ακροδέκτες κως στα άκρα των καλωδίων.

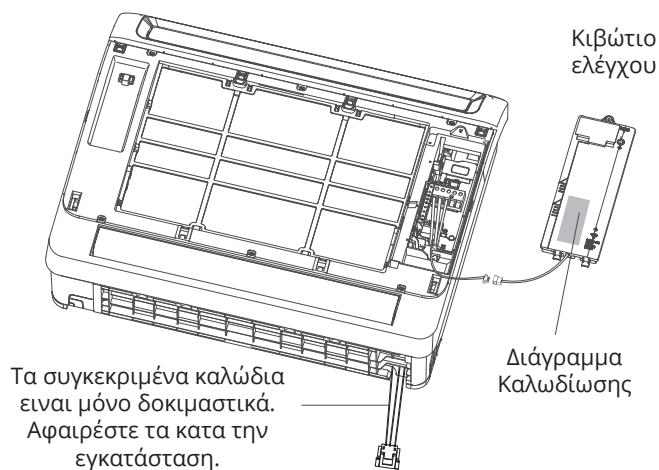
**ΣΗΜΕΙΩΣΗ:** Όταν συνδέετε τα καλώδια, να τηρείτε αυστηρά το διάγραμμα συνδεσμολογίας που υπάρχει μέσα στο κάλυμμα του κιβωτίου ηλεκτρολογικών.

2. Αφαιρέστε το καπάκι ηλεκτρολογικών της εσωτερικής μονάδας. Εάν δεν υπάρχει καπάκι στην εξωτερική μονάδα, αποσυναρμολογήστε τους κοχλίες από την πλακέτα συντήρησης και αφαιρέστε τον πίνακα προστασίας. (Βλέπε Εικ. 8.1, 8.2)



Εικ. 8.1

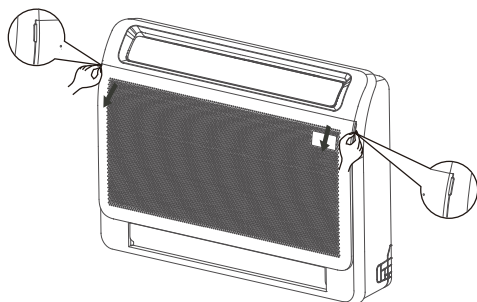
3. Συνδέστε τα τα παξιμάδια τύπου U στις υποδοχές. Ταιριάξτε τα χρώματα / ετικέτες των καλωδίων με τις ετικέτες στην κλεμοσειρά και βιδώστε καλά τον ακροδέκτη κως του κάθε καλωδίου με την αντίστοιχη υποδοχή.
4. Στερεώστε το καλώδιο με τον σφιγκτήρα καλωδίου.
5. Μονώστε τα καλώδια που δεν έχουν χρησιμοποιηθεί με μονωτική ταινία. Φροντίστε τα καλώδια να βρίσκονται μακριά από ηλεκτρολογικά μέρη ή μεταλλικά εξαρτήματα.
6. Επανατοποθετήστε το κάλυμμα του κιβωτίου ηλεκτρολογικού ελέγχου.



**Εικ. 8.3**

### Καλωδίωση εσωτερικής μονάδας

1. Προετοιμάστε το καλώδιο για τη σύνδεση
  - α. Με απογυμνωτή καλωδίων βγάλτε την ελαστική μόνωση από τα δύο άκρα του καλωδίου μήκους για να αποκαλυφθούν περίπου 15cm (5.9") από το καλώδιο.
  - β. Κόψτε τη μόνωση από τα άκρα των συρμάτων.
  - γ. Χρησιμοποιώντας πρέσα για καλώδια, συμπιέστε τους ακροδέκτες κως στα άκρα των καλωδίων.
2. Τραβήξτε την αριστερή και τη δεξιά λαβή του μπροστινού πάνελ, τραβήξτε το προς τα έξω και ανοίξτε το πάνελ.



**ΣΗΜΕΙΩΣΗ:** Όταν αφαιρείτε το ηλεκτρικό κουτί ελέγχου, προσέξτε να χαλαρώσετε και να αφαιρέσετε τον ακροδέκτη.

Μαγνητικός δακτύλιος (εάν παρέχεται και συνοδεύει τα άλλα εξαρτήματα)



**Εικ. 8.4**

3. Περάστε το καλώδιο ρεύματος και το καλώδιο σήματος από τη δίοδο του καλωδίου.
4. Συνδέστε τα τα παξιμάδια τύπου U στις υποδοχές. Ταιριάξτε τα χρώματα / ετικέτες των καλωδίων με τις ετικέτες στην κλεμοσειρά και βιδώστε καλά τον ακροδέκτη κως του κάθε καλωδίου με την αντίστοιχη υποδοχή. Συμβουλευθείτε τον Αριθμό Σειράς και το Διάγραμμα Συνδεσμολογίας που βρίσκεται στο κάλυμμα του κιβωτίου ελέγχου.





## ΠΡΟΣΟΧΗ

- Κατά τη σύνδεση των καλωδίων, να τηρείτε αυστηρά το διάγραμμα συνδεσμολογίας.
  - Το κύκλωμα ψυκτικού ενδέχεται να αναπτύξει πολύ υψηλή θερμοκρασία. Το καλώδιο διασύνδεσης θα πρέπει να βρίσκεται μακριά από τον χαλκοσωλήνα.
5. Στερεώστε το καλώδιο με τον προκαθορισμένο σφιγκτήρα καλωδίου. Το καλώδιο δεν πρέπει να είναι χαλαρό και δεν πρέπει να ζορίζει τους ακροδέκτες κως.
  6. Επανατοποθετήστε το κάλυμμα του κιβωτίου ηλεκτρολογικού ελέγχου και τη μάσκα της εσωτερικής μονάδας.

## Προδιαγραφές ρεύματος

**ΣΗΜΕΙΩΣΗ:** θα πρέπει να προστεθεί βοηθητικός αυτόματος διακόπτης / ασφάλεια ρεύματος τύπου θέρμανσης, τιμής άνω των **10 A**.

### Προδιαγραφές τροφοδοσίας ρεύματος εσωτερικής μονάδας

ΜΟΝΤΕΛΟ(Btu/h)		≤16K	16K~18K
ΙΣΧΥΣ	ΦΑΣΗ	1-φασικό	1-φασικό
	VOLT ΚΑΙ ΣΥΧΝΟΤΗΤΑ	220-240V~, 50Hz/60Hz	220-240V~, 5-Hz/60Hz
ΔΙΑΚΟΠΤΗΣ/ ΗΛΕΚΤΡΙΚΗ ΑΣΦΑΛΕΙΑ (A)		20/16	20/16
ΔΥΝΑΜΗ ΕΣΩΤΕΡΙΚΗΣ ΜΟΝΑΔΑΣ (mm <sup>2</sup> )		-----	-----
ΣΥΝΔΕΣΗ ΕΣΩΤΕΡΙΚΗΣ / ΕΞΩΤΕΡΙΚΗΣ ΣΥΝΔΕΣΗΣ (mm <sup>2</sup> )	ΙΣΧΥΣ ΕΞΩΤΕΡΙΚΗΣ ΜΟΝΑΔΑΣ	3x1.5	3x2.5
	ΔΥΝΑΤΟ ΗΛΕΚΤΡΙΚΟ ΣΗΜΑ	4x1.0	4x1.0
	ΑΔΥΝΑΜΟ ΗΛΕΚΤΡΙΚΟ ΣΗΜΑ	-----	-----
	ΚΑΛΩΔΙΩΣΗ ΓΕΙΩΣΗΣ	1.5	2.5

# Εκκένωση του αέρα

# 8

## Προφυλάξεις Ασφαλείας

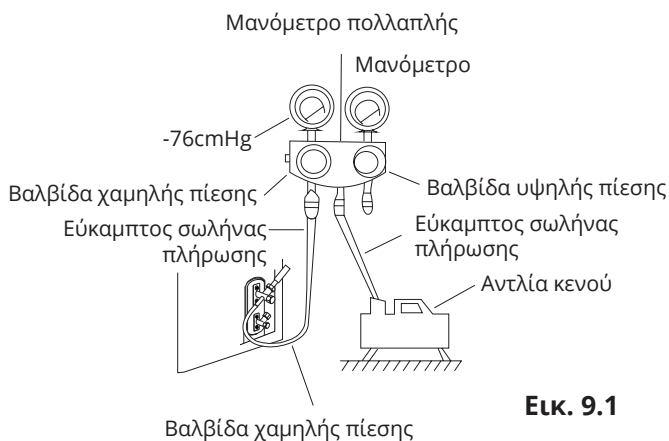


### ΠΡΟΣΟΧΗ

- Χρησιμοποιείτε αντλία κενού με ένδειξη οργάνου κάτω των  $-0.1 \text{ MPa}$  και ικανότητα εκκένωσης αέρα άνω των  $40 \text{ L/min}$ .
- Η εξωτερική μονάδα δε χρειάζεται εκκένωση. **MHN** ανοίγετε τους διακόπτες (βαλβίδες διακοπής) αερίου και υγρού της εξωτερικής μονάδας.
- Βεβαιωθείτε ότι το όργανο δίνει ένδειξη  $-0.1 \text{ MPa}$  και κάτω, μετά από 2 ώρες. Εάν μετά από τρεις ώρες λειτουργίας η ένδειξη του οργάνου είναι ακόμα άνω των  $-0.1 \text{ MPa}$ , ελέγξτε εάν υπάρχει διαρροή αερίου ή νερού μέσα στον σωλήνα. Εάν δεν υπάρχει διαρροή, κάντε μια ακόμα εκκένωση για 1 ή 2 ώρες.
- MHN** χρησιμοποιείτε ψυκτικό αέριο για την εκκένωση του συστήματος.

## Οδηγίες εκκένωσης

Πριν από τη χρήση μανόμετρων πολλαπλής και αντλίας κενού, διαβάστε το εγχειρίδιο χειρισμού του κάθε οργάνου για να βεβαιωθείτε για τη σωστή χρήση τους.



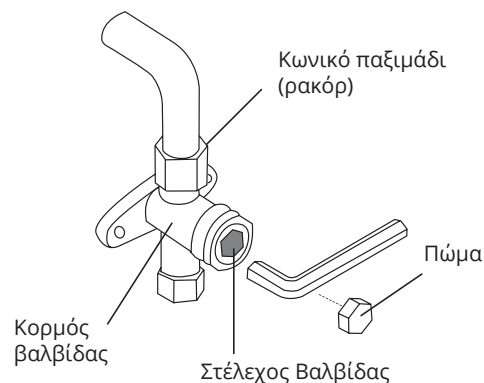
Εικ. 9.1

- Συνδέστε τον σωλήνα πλήρωσης της των μανόμετρων πολλαπλής με τη θυρίδα συντήρησης στη βαλβίδα χαμηλής πίεσης της εξωτερικής μονάδας.
- Συνδέστε τον σωλήνα πλήρωσης των μανόμετρων πολλαπλής στην αντλία κενού.
- Ανοίξτε την πλευρά χαμηλής πίεσης των μανόμετρων πολλαπλής. Διατηρήστε κλειστή την πλευρά υψηλής πίεσης.

- Ανοίξτε την αντλία κενού για να εκκενώσετε το σύστημα.
- Θέστε σε λειτουργία το κενό για τουλάχιστον 15 λεπτά, ή μέχρι να εμφανιστεί η ένδειξη  $-76 \text{ cmHg}$  ( $-1 \times 10^5 \text{ Pa}$ ) στο σύνθετο όργανο.
- Κλείστε τη βαλβίδα χαμηλής πίεσης των μανομέτρων πολλαπλής και κλείστε την αντλία κενού.
- Περιμένετε 5 λεπτά, στη συνέχεια βεβαιωθείτε ότι δε μεταβάλλεται η πίεση του συστήματος.

**ΣΗΜΕΙΩΣΗ:** Εάν δεν υπάρχει μεταβολή της πίεσης του συστήματος, ξεβιδώστε το καπάκι της βαλβίδας υψηλής πίεσης. Εάν υπάρχει μεταβολή της πίεσης, ενδέχεται να υπάρχει διαρροή αερίου.

- Εισαγάγετε εξαγωνικό κλειδί στη βαλβίδα υψηλής πίεσης και ανοίξτε τη βαλβίδα στρέφοντας το κλειδί αριστερόστροφα κατά  $1/4$  της στροφής. Παρατηρήστε με το αυτί την εκκένωση του αερίου από το σύστημα και στη συνέχεια κλείστε τη βαλβίδα μετά από 5 δευτερόλεπτα.



Εικ. 9.2

- Παρατηρήστε το Μανόμετρο για ένα λεπτό ώστε να βεβαιωθείτε ότι δεν αλλάζει η ένδειξη της πίεσης. Θα πρέπει να δείχνει ελαφρά υψηλότερη πίεση από την ατμοσφαιρική πίεση.
- Αφαιρέστε τον εύκαμπτο σωλήνα πλήρωσης από τη θυρίδα συντήρησης.
- Με πολύγωνο κλειδί, ανοίξτε τελείως και τις δύο βαλβίδες, χαμηλής και υψηλής πίεσης.

### ΑΝΟΙΞΤΕ ΟΜΑΛΑ ΤΑ ΣΤΕΛΕΧΗ ΤΩΝ ΒΑΛΒΙΔΩΝ

Όταν ανοίγετε τα στελέχη των βαλβίδων, γυρίστε το εξαγωνικό κλειδί μέχρι να ακουμπήσει στο τέρμα (στοπ). **MHN** επιχειρήσετε να ζορίσετε τη βαλβίδα να ανοίξει ακόμα περισσότερο.

- Σφίξτε τα πώματα των βαλβίδων με το χέρι και στη συνέχεια σφίξτε τα με το κατάλληλο εργαλείο.

## Σημείωση για την προσθήκη ψυκτικού μέσου



### ΠΡΟΣΟΧΗ

- Η πλήρωση με ψυκτικό θα πρέπει να γίνεται μετά τη συνδεσμολογία, τη διοχέτευση κενού και τη δοκιμή για διαρροές.
- **MHN** υπερβαίνετε τη μέγιστη επιτρεπόμενη ποσότητα ψυκτικού και μην πληρώνετε υπερβολικά το σύστημα. Κάτι τέτοιο μπορεί να προκαλέσει βλάβη στη μονάδα ή να επηρεάσει την καλή λειτουργία της.
- Η πλήρωση με ακατάλληλες ουσίες μπορεί να προκαλέσει εκρήξεις ή ατυχήματα. Βεβαιωθείτε ότι χρησιμοποιείτε το κατάλληλο ψυκτικό.
- Τα δοχεία του ψυκτικού θα πρέπει να ανοίγονται αργά. Πάντα να χρησιμοποιείτε προστατευτικό εξοπλισμό κατά την πλήρωση του συστήματος.
- **MHN** αναμιγνύετε ανόμοιους τύπους ψυκτικών.
- Για το μοντέλο με ψυκτικό R290 ή R32, φροντίστε οι συνθήκες εντός του χώρου να έχουν καταστεί ασφαλείς, με τον έλεγχο του εύφλεκτου υλικού, κατά την προσθήκη ψυκτικού στο κλιματιστικό.

Κάποια συστήματα χρειάζονται πρόσθετη φόρτιση ανάλογα με το μήκος των σωλήνων. Το τυπικό μήκος σωληνώσεων ποικίλλει ανάλογα με τους κατά τόπους κανονισμούς. Για παράδειγμα, στη Βόρειο Αμερική, το τυπικό μήκος σωληνώσης είναι 7,5m (25'). Σε άλλες περιοχές, το τυπικό μήκος σωληνώσης είναι 5m (16'). Το πρόσθετο ψυκτικό που πρέπει να πληρωθεί, μπορεί να υπολογιστεί χρησιμοποιώντας τον παρακάτω τύπο:

### Διάμετρος πλευράς υγρού

	φ6.35(1/4")	φ9.52(3/8")	φ12.7(1/2")
<b>R32:</b>	(Συνολικό μήκος σωληνώσης -τυπικό μήκος σωληνώσης)× 12g(0.13oz)/m(ft)	(Συνολικό μήκος σωληνώσης -τυπικό μήκος σωληνώσης)× 24g(0.26oz)/m(ft)	(Συνολικό μήκος σωληνώσης -τυπικό μήκος σωληνώσης)× 40g(0.42oz)/m(ft)

## Πριν από τη δοκιμαστική λειτουργία

Θα πρέπει να πραγματοποιηθεί δοκιμαστική λειτουργία μετά την πλήρη εγκατάσταση ολόκληρου του συστήματος. Επιβεβαιώστε τα παρακάτω σημεία πριν από την πραγματοποίηση της δοκιμής:

- α) Οι εσωτερικές και εξωτερικές μονάδες έχουν εγκατασταθεί σωστά.
- β) Οι σωληνώσεις και η καλωδίωση έχουν συνδεθεί σωστά.
- γ) Δεν υπάρχουν εμπόδια κοντά στα στόμια εισόδου και εξόδου της μονάδας που θα μπορούσαν να μειώσουν την απόδοσή της ή να προκαλέσουν δυσλειτουργία.
- δ) Το ψυκτικό σύστημα δεν παρουσιάζει διαρροή.
- ε) Το σύστημα αποχέτευσης δε φράσσεται και η αποχέτευση γίνεται σε ασφαλές σημείο.
- στ) Η θερμομόνωση έχει τοποθετηθεί σωστά.
- ζ) Τα καλώδια γείωσης είναι σωστά συνδεδεμένα.
- η) Το μήκος των σωληνώσεων και η πρόσθετη χωρητικότητα αποθήκευσης ψυκτικού έχουν καταγραφεί.
- θ) Η τάση του ρεύματος είναι σωστή για το κλιματιστικό μηχάνημα.



## ΠΡΟΣΟΧΗ

Αμέλεια εκτέλεσης της δοκιμαστικής λειτουργίας μπορεί να συντελέσει σε ζημιά της μονάδας, υλική ζημιά ή ατομικό τραυματισμό.

## Οδηγίες δοκιμαστικής λειτουργίας

1. Ανοίξτε τους διακόπτες (βαλβίδες διακοπής) υγρού και αερίου.
2. Ανοίξτε τον γενικό διακόπτη ρεύματος και αφήστε τη μονάδα να προθερμανθεί.
3. Θέστε το κλιματιστικό σε λειτουργία COOL (ψύξη).
4. Για την Εσωτερική Μονάδα
  - α. Βεβαιωθείτε ότι το τηλεχειριστήριο και τα πλήκτρα του λειτουργούν σωστά.
  - β. Βεβαιωθείτε ότι οι περσίδες κινούνται σωστά και η λειτουργία τους μπορεί να αλλάξει από το τηλεχειριστήριο.
  - γ. Ελέγξτε σχολαστικά εάν η θερμοκρασία δωματίου καταγράφεται σωστά.

- δ. Βεβαιωθείτε ότι οι ενδείξεις στο τηλεχειριστήριο και τον πίνακα ενδείξεων της εσωτερικής μονάδας, λειτουργούν σωστά.
- ε. Βεβαιωθείτε ότι τα χειροκίνητα πλήκτρα επάνω στην εσωτερική μονάδα λειτουργούν σωστά.σ. Βεβαιωθείτε ότι το σύστημα αποχέτευσης δε φράσσεται και η αποχέτευση εκτελείται ομαλά.
- ζ. Βεβαιωθείτε ότι δεν αναπτύσσονται κραδασμοί ή ασυνήθιστος θόρυβος κατά τη λειτουργία.

## 5. Για την Εξωτερική Μονάδα

- α. Ελέγξτε το ψυκτικό σύστημα για τυχόν διαρροές.
- β. Βεβαιωθείτε ότι δεν αναπτύσσονται κραδασμοί ή ασυνήθιστος θόρυβος κατά τη λειτουργία.
- γ. Φροντίστε ο αέρας, ο θόρυβος και το νερό που εκλύεται από τη μονάδα να μην ενοχλούν τους γείτονες, ούτε και να ενέχουν κινδύνους ασφαλείας.
6. Δοκιμή αποχέτευσης
  - α. Βεβαιωθείτε ότι ο σωλήνας αποχέτευσης έχει ομαλή ροή. Στα νέα κτίρια αυτή η δοκιμή θα πρέπει να εκτελείται πριν από το τελείωμα του ταβανιού.
  - β. Αφαιρέστε το κάλυμμα ελέγχου. Προσθέστε 2.000ml νερό στη δεξαμενή διαμέσου του προσαρτημένου σωλήνα.
  - γ. Ενεργοποιήστε τον γενικό διακόπτη ρεύματος και θέστε σε λειτουργία το κλιματιστικό μηχάνημα σε ψύξη (COOL).
  - δ. Ακροαστείτε την αντλία συμπυκνωμάτων για τυχόν ασυνήθιστους θορύβους.
  - ε. Βεβαιωθείτε ότι γίνεται εκκένωση του νερού. Ενδέχεται να χρειαστεί μέχρι ένα λεπτό προτού αρχίσει η αποχέτευση της μονάδας ανάλογα με το σωλήνα αποχέτευσης.
  - στ. Βεβαιωθείτε ότι δεν υπάρχουν διαρροές σε κανένα σημείο της σωληνώσης.
  - ζ. Σταματήστε το κλιματιστικό. Σβήστε τον γενικό διακόπτη ρεύματος και επανατοποθετήστε το κάλυμμα δοκιμών.

**ΣΗΜΕΙΩΣΗ:** Εάν η μονάδα δυσλειτουργεί ή δε λειτουργεί όπως αναμένετε, συμβουλευθείτε την ενότητα Αντιμετώπιση Προβλημάτων του Εγχειριδίου χειρισμού, προτού καλέσετε την εξυπηρέτηση πελατών.

## Ευρωπαϊκές οδηγίες για τη διάθεση του προϊόντος

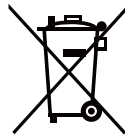
# 10

Οι χρήστες των κρατών της της Ευρωπαϊκής Ένωσης θα πρέπει να απορρίψουν με τον ενδεδειγμένο τρόπο τη μονάδα. Αυτή η συσκευή περιέχει εύφλεκτο ψυκτικό και άλλα ενδεχομένως επικίνδυνα υλικά. Κατά τη διάθεση αυτής της συσκευής, προβλέπεται από το νόμο ειδική συλλογή και επεξεργασία. **ΜΗΝ** απορρίπτετε το προϊόν αυτό μαζί με τα οικιακά ή τα δημοτικά απορρίμματα.

Κατά τη διάθεση αυτής της συσκευής, έχετε τις εξής επιλογές:

- Πετάξτε τη συσκευή σε κατάλληλη δημοτική εγκατάσταση συλλογής ηλεκτρονικών απορριμμάτων.
- Κατά την αγορά νέας συσκευής, ο έμπορος θα παραλάβει δωρεάν την παλιά συσκευή.
- Ο κατασκευαστής θα παραλάβει δωρεάν την παλιά συσκευή.
- Πουλήστε τη συσκευή σε εταιρεία διαχείρισης παλαιών μετάλλων.

**ΣΗΜΕΙΩΣΗ:** Η απόρριψη της συσκευής στο ύπαιθρο ή σε δασική περιοχή είναι επιβλαβής για την υγεία σας και το περιβάλλον. Υπάρχει η πιθανότητα διαρροής επικίνδυνων ουσιών στα υπόγεια ύδατα και στη συνέχεια η είσοδός τους στην τροφική αλυσίδα.



# Πληροφορίες Επισκευής

(Απαιτείται μόνο για τις μονάδες που χρησιμοποιούν ψυκτικό R32/R290)

# 11

## 1. Έλεγχοι στο χώρο

Πριν από την έναρξη της εργασίας σε συστήματα που περιέχουν εύφλεκτα ψυκτικά, απαιτούνται έλεγχοι ασφαλείας για να διασφαλιστεί η ελαχιστοποίηση του κινδύνου ανάφλεξης. Για επισκευές στο ψυκτικό σύστημα, θα πρέπει να τηρούνται οι παρακάτω προφυλάξεις, πριν από τη διεξαγωγή εργασιών στο σύστημα.

## 2. Διαδικασία εργασίας

Οι εργασίες θα πρέπει να γίνονται με βάση ελεγχόμενη διαδικασία προκειμένου να ελαχιστοποιείται ο κίνδυνος έκλυσης εύφλεκτων αερίων ή αναθυμιάσεων κατά την εκτέλεση των εργασιών.

## 3. Εργασιακός χώρος γενικής φύσης

Όλο το προσωπικό συντήρησης και άλλα άτομα που εργάζονται πλησίον, θα πρέπει να έχουν ενημερωθεί για τη φύση των εργασιών που θα πραγματοποιηθούν. Η εργασία σε κλειστούς χώρους θα πρέπει να αποφεύγεται. Η περιοχή γύρω από το χώρο εργασίας θα πρέπει να αποκλειστεί. Βεβαιωθείτε ότι οι συνθήκες εντός της περιοχής είναι ασφαλείς με τον έλεγχο των εύφλεκτων υλικών.

## 4. Έλεγχος για τυχόν παρουσία ψυκτικού

Η περιοχή θα πρέπει να ελέγχεται με κατάλληλο ανιχνευτή ψυκτικού πριν από την εργασία και κατά τη διάρκεια αυτής, για να εξασφαλιστεί ότι ο τεχνικός γνωρίζει για την ύπαρξη πιθανώς εύφλεκτης ατμόσφαιρας. Βεβαιωθείτε ότι ο εξοπλισμός εντοπισμού διαρροών είναι κατάλληλος για χρήση με εύφλεκτα ψυκτικά, δηλαδή δεν προκαλεί σπινθήρες, είναι επαρκώς στεγανός και ασφαλής από το σχεδιασμό του.

## 5. Παρουσία πυροσβεστήρα

Εάν πρόκειται να πραγματοποιηθούν εργασίες εν θερμώ στον ψυκτικό εξοπλισμό ή σε παρεμφερή εξαρτήματα, θα πρέπει να υπάρχει άμεσα διαθέσιμος κατάλληλος πυροσβεστικός εξοπλισμός. Φροντίστε να υπάρχει πυροσβεστήρας ξηράς κόνεως ή CO<sub>2</sub> δίπλα στο σημείο πλήρωσης.

## 6. Απουσία πηγών ανάφλεξης

Κανένα πρόσωπο που εργάζεται σε σχέση με ψυκτικό σύστημα που περιέχει, εύφλεκτο ψυκτικό μέσο, δεν επιτρέπεται να χρησιμοποιεί πηγές ανάφλεξης με τρόπο ώστε να προκαλούν κίνδυνο πυρκαγιάς ή έκρηξης. Όλες οι πιθανές πηγές ανάφλεξης, συμπεριλαμβανομένου του καπνίσματος, θα πρέπει να βρίσκονται σε απόσταση ασφαλείας από το σημείο εγκατάστασης, επισκευής, αφαίρεσης και διάθεσης, όπου υπάρχει η πιθανότητα έκλυσης ψυκτικού στον περιβάλλοντα χώρο. Πριν από την εκτέλεση εργασιών, ο χώρος γύρω από τον εξοπλισμό θα πρέπει να επιθεωρείται για να επιβεβαιωθεί η απουσία εύφλεκτων στοιχείων ή κινδύνου ανάφλεξης. Θα πρέπει να τοποθετούνται ενδείξεις «ΜΗΝ ΚΑΠΝΙΖΕΤΕ».

## 7. Αεριζόμενος χώρος

Βεβαιωθείτε ότι ο χώρος είναι υπαίθριος ή αεριζείται επαρκώς πριν από επέμβαση στο σύστημα ή εκτέλεση οποιασδήποτε εργασίας εν θερμώ. Κάποιος βαθμός αερισμού θα πρέπει να εξακολουθεί να υπάρχει κατά το διάστημα εκτέλεσης της εργασίας. Ο εξαερισμός θα πρέπει να απομακρύνει με ασφάλεια το ψυκτικό που τυχόν εκλύεται και κατά προτίμηση να το αποβάλλει στην ατμόσφαιρα.



## 8. Έλεγχοι στον ψυκτικό εξοπλισμό

Σε περίπτωση που γίνεται αλλαγή ηλεκτρολογικών εξαρτημάτων, αυτά θα πρέπει να είναι κατάλληλα για το σκοπό που προορίζονται και κατάλληλων προδιαγραφών. Σε κάθε περίπτωση θα πρέπει να τηρούνται οι οδηγίες και υποδείξεις συντήρησης του κατασκευαστή. Εάν υπάρχει αμφιβολία, συμβουλευθείτε το τεχνικό τμήμα του κατασκευαστή.

Θα πρέπει να πραγματοποιούνται οι παρακάτω έλεγχοι σε εγκαταστάσεις όπου χρησιμοποιούνται εύφλεκτα ψυκτικά:

- το μέγεθος του φορτίου είναι ανάλογο των διαστάσεων του δωματίου μέσα στο οποίο τοποθετούνται τα εξαρτήματα που περιέχουν ψυκτικό
- το μηχάνημα και τα στόμια αερισμού λειτουργούν επαρκώς και δεν εμποδίζονται
- εάν χρησιμοποιείται έμμεσο ψυκτικό κύκλωμα, τα δευτερεύοντα κυκλώματα θα πρέπει να ελεγχθούν για την παρουσία ψυκτικού. Η σήμανση του εξοπλισμού θα πρέπει να συνεχίσει να είναι εμφανής και ευανάγνωστη
- τυχόν δυσανάγνωστες σημάνσεις και σύμβολα θα πρέπει να αποκαθίστανται
- ο σωλήνας ψυκτικού ή τα εξαρτήματά του τοποθετούνται σε θέση όπου είναι απίθανη η έκθεση τους σε οποιαδήποτε ουσία που μπορεί να προκαλέσει διάβρωση στα εξαρτήματα που περιέχουν ψυκτικό, εκτός εάν τα εξαρτήματα είναι κατασκευασμένα από υλικά από την κατασκευή τους ανθεκτικά στη διάβρωση και διαθέτουν επαρκή προστασία έναντι αυτής.

## 9. Έλεγχοι σε ηλεκτρικές συσκευές

Η επισκευή και συντήρηση ηλεκτρολογικών εξαρτημάτων περιλαμβάνει αρχικούς ελέγχους ασφαλείας και διαδικασίες επιθεώρησης εξαρτημάτων. Εάν υπάρχει βλάβη η οποία θα μπορούσε να αποτελεί κίνδυνο για την ασφάλεια, καμία παροχή ρεύματος δεν πρέπει να συνδέεται στο κύκλωμα, μέχρι η βλάβη αυτή να αντιμετωπιστεί κατάλληλα. Εάν η βλάβη δεν μπορεί να διορθωθεί αμέσως αλλά είναι απαραίτητο να συνεχιστεί η λειτουργία, θα εφαρμοστεί κάποια επαρκής προσωρινή λύση. Το θέμα αυτό θα αναφερθεί στον κάτοχο του εξοπλισμού, ώστε να είναι ενήμερα όλα τα εμπλεκόμενα μέρη. Οι αρχικοί έλεγχοι ασφαλείας περιλαμβάνουν:

- την εκφόρτιση των πυκνωτών: αυτό θα πρέπει να γίνει με ασφαλή τρόπο για να αποφευχθεί η πιθανότητα σπινθήρων
- απουσία εκτεθειμένων ηλεκτρολογικών μερών και καλωδιώσεων κατά τη φόρτιση, ανάκτηση ή εκκένωση του συστήματος
- συνεχή διάθεση γείωσης

## 10. Επισκευές σε στεγανά εξαρτήματα

10.1 Στη διάρκεια επισκευών σε στεγανά εξαρτήματα, όλες οι παροχές ρεύματος θα πρέπει να αποσυνδέονται από τον εξοπλισμό που θα υποστεί την επέμβαση πριν από την αφαίρεση τυχόν ερμητικών καλυμμάτων κ.λπ. Εάν είναι απολύτως απαραίτητο να υπάρχει παροχή ρεύματος στον εξοπλισμό κατά τις επισκευές, θα πρέπει να υπάρχει σε συνεχή λειτουργία κάποια μορφή εντοπισμού διαρροών στο πλέον κρίσιμο σημείο για να προειδοποιήσει για δυνητικά επικίνδυνη κατάσταση.

10.2 Θα πρέπει να δίνεται ιδιαίτερη προσοχή στα παρακάτω για να εξασφαλιστεί ότι δεν πραγματοποιείται τροποποίηση του περιβλήματος κατά την εργασία σε ηλεκτρολογικά εξαρτήματα, τέτοια που να πλήττεται η στάθμη προστασίας. Αυτή περιλαμβάνει ζημιά σε καλώδια, υπερβολικό αριθμό συνδέσεων, ακροδέκτες που δεν έχουν προσαρμοστεί με βάση τις αρχικές προδιαγραφές, ζημιές σε παρεμβύσματα, εσφαλμένη τοποθέτηση στυπιοθλιπτών κ.λπ.

- Βεβαιωθείτε ότι ο εξοπλισμός έχει στερεωθεί καλά.
- Βεβαιωθείτε ότι τα παρεμβύσματα ή τα υλικά στεγανοποίησης δεν έχουν αλλοιωθεί σε βαθμό που να μην αποτρέπουν πλέον τη διείσδυση εύφλεκτων αερίων. Τα ανταλλακτικά θα πρέπει να είναι σύμφωνα με τις προδιαγραφές του κατασκευαστή.

**ΣΗΜΕΙΩΣΗ:** Η χρήση στεγανωτικού σιλικόνης ενδέχεται να περιορίσει την αποτελεσματικότητα κάποιων τύπων εξοπλισμού εντοπισμού διαρροών. Τα από το σχεδιασμό τους ασφαλή εξαρτήματα δεν χρειάζονται απομόνωση πριν από την εργασία σε αυτά.

## 11. Επισκευή σε εξαρτήματα ασφαλή από το σχεδιασμό τους

Μην εφαρμόζετε μόνιμα επαγωγικά ή χωρητικά φορτία στο κύκλωμα, χωρίς να εξασφαλίσετε ότι το τελευταίο δεν μπορεί να υπερβεί το επιτρεπόμενο επίπεδο τάσης και ρεύματος του εξοπλισμού. Τα εξαρτήματα που είναι ασφαλή από το σχεδιασμό τους, είναι τα μόνα στα οποία επιτρέπεται η εργασία ενώ είναι συνδεδεμένα στο ρεύμα, σε παρουσία εύφλεκτης ατμόσφαιρας. Η δοκιμαστική συσκευή θα πρέπει να είναι κατάλληλης ονομαστικής τιμής. Να αντικαθιστάτε εξαρτήματα μόνο με εκείνα που προβλέπονται από τον κατασκευαστή. Η χρήση άλλων εξαρτημάτων μπορεί να συντελέσει στην ανάφλεξη του ψυκτικού σε ατμόσφαιρα όπου υπάρχει διαρροή.

## 12. Καλωδίωση

Βεβαιωθείτε ότι η καλωδίωση δεν υπόκειται σε φθορές, διάβρωση, υπερβολική πίεση, κραδασμούς, αιχμηρές ακμές ή άλλες επιβλαβείς περιβαλλοντικές επιδράσεις. Κατά τον έλεγχο θα πρέπει να ληφθούν υπόψη τα χρόνια λειτουργίας της μονάδας και οι διαρκείς κραδασμοί από μέρη όπως συμπιεστές ή ανεμιστήρες.

## 13. Ανίχνευση εύφλεκτων ψυκτικών

Σε καμία περίπτωση δεν επιτρέπεται να χρησιμοποιούνται πιθανές πηγές ανάφλεξης για την αναζήτηση ή τον εντοπισμό διαρροών ψυκτικού. Δεν επιτρέπεται να χρησιμοποιείται φακός αλογονιδίου (ή άλλος ανιχνευτής που χρησιμοποιεί γυμνή φλόγα).

## 14. Μέθοδοι ανίχνευσης διαρροών

Οι παρακάτω μέθοδοι εντοπισμού διαρροών θεωρούνται αποδεκτές για συστήματα που περιέχουν εύφλεκτα ψυκτικά. Θα πρέπει να χρησιμοποιούνται ηλεκτρονικοί ανιχνευτές διαρροών για την ανίχνευση εύφλεκτων ψυκτικών, αλλά η ευαισθησία τους ενδέχεται να μην είναι επαρκής ή να χρειάζονται εκ νέου διακρίβωση. (Ο εξοπλισμός ανίχνευσης θα πρέπει να διακρίβώνεται σε χώρο όπου δεν υπάρχει ψυκτικό.) Βεβαιωθείτε ότι ο ανιχνευτής δεν αποτελεί πιθανή πηγή ανάφλεξης και είναι κατάλληλος για το ψυκτικό. Ο εξοπλισμός εντοπισμού διαρροών θα πρέπει να ρυθμίζεται σε ποσοστό του LFL του ψυκτικού και θα πρέπει να διακρίβώνεται ως προς το χρησιμοποιούμενο ψυκτικό και να επιβεβαιώνεται το κατάλληλο ποσοστό αερίου (25% το μέγιστο). Τα υγρά εντοπισμού διαρροών είναι κατάλληλα για χρήση με τα περισσότερα ψυκτικά αλλά η χρήση απορρυπαντικών που περιέχουν χλώριο θα πρέπει να αποφευχθεί καθώς το χλώριο ενδέχεται να αντιδράσει με το ψυκτικό και να προκαλέσει διάβρωση των χαλκοσωλήνων.

Εάν υπάρχει υποψία διαρροής, απομακρύνετε ή σβήστε όλες τις γυμνές φλόγες. Εάν εντοπιστεί διαρροή ψυκτικού, η οποία να απαιτεί χαλκοκόλληση, το σύνολο του ψυκτικού θα πρέπει να ανακτάται από το σύστημα ή να απομονώνεται (μέσω βαλβίδων διακοπής) σε μέρος του συστήματος μακριά από τη διαρροή. Στη συνέχεια θα διοχετεύεται άζωτο ελεύθερο οξυγόνου (OFN) στο σύστημα, τόσο πριν από τη χαλκοκόλληση όσο και στη διάρκεια αυτής.

## 15. Αφαίρεση και εκκένωση

Κατά την επέμβαση στο κύκλωμα ψυκτικού για επισκευή ή για οποιονδήποτε άλλο σκοπό, θα πρέπει να εφαρμόζονται οι συμβατικές διαδικασίες. Ωστόσο, είναι σημαντικό να εφαρμόζονται οι ισχύουσες βέλτιστες πρακτικές, εφόσον ενέχεται το ζήτημα της ανάφλεξης. Θα πρέπει να εφαρμόζεται η παρακάτω διαδικασία:

- αφαίρεση ψυκτικού
- εκκαθάριση του κυκλώματος με αδρανές αέριο
- εκκένωση
- εκκαθάριση ξανά με αδρανές αέριο
- άνοιγμα του κυκλώματος με κοπή ή χαλκοκόλληση

Το φορτίο του ψυκτικού θα πρέπει να ανακτηθεί στις κατάλληλες φιάλες ανάκτησης. Το σύστημα θα πρέπει να εκκαθαρίζεται με OFN ώστε η μονάδα να είναι ασφαλής. Αυτή η διεργασία ενδέχεται να χρειαστεί να επαναληφθεί αρκετές φορές. Δεν πρέπει να χρησιμοποιείται πεπιεσμένος αέρας ή οξυγόνο για αυτή την εργασία. Η εκκαθάριση θα πρέπει να γίνεται με τη διακοπή του κενού στο σύστημα χρησιμοποιώντας OFN και συνεχίζοντας την πλήρωση μέχρι να επιτευχθεί η πίεση λειτουργίας και στη συνέχεια η εκτόνωση στην ατμόσφαιρα και εν τέλει ο υποβιβασμός σε κενό. Αυτή η διεργασία θα πρέπει να επαναληφθεί μέχρι να μην υπάρχει καθόλου ψυκτικό στο σύστημα.

Όταν χρησιμοποιηθεί το τελικό φορτίο OFN, το σύστημα θα πρέπει να εκτονωθεί μέχρι να φτάσει στην ατμοσφαιρική πίεση, για να είναι δυνατή η εκτέλεση των εργασιών. Αυτή η εργασία είναι υψίστης σημασίας



εάν πρόκειται να πραγματοποιηθούν εργασίες χαλκοκόλλησης στους αγωγούς.

Βεβαιωθείτε ότι το στόμιο εξόδου για την αντλία κενού δεν βρίσκεται κοντά σε πιθανές πηγές ανάφλεξης και ότι υπάρχει διαθέσιμος αερισμός.

## 16. Διαδικασίες πλήρωσης

Επιπλέον των συμβατικών διαδικασιών φόρτισης, θα πρέπει να τηρούνται οι παρακάτω απαιτήσεις:

- Φροντίστε να μην σημειώνεται ρύπανση των διαφόρων τύπων ψυκτικού, κατά τη χρήση του εξοπλισμού φόρτισης. Οι εύκαμπτοι σωλήνες ή γραμμές πρέπει να είναι όσο το δυνατόν πιο κοντές για την ελαχιστοποίηση της ποσότητας ψυκτικού που περιέχουν.
- Οι φιάλες θα πρέπει να διατηρούνται σε όρθια θέση.
- Βεβαιωθείτε ότι το ψυκτικό σύστημα είναι γειωμένο, πριν από την φόρτιση του συστήματος με ψυκτικό.
- Επισημάνετε το σύστημα όταν ολοκληρωθεί η φόρτιση (εάν δεν έχει ήδη επισημανθεί).
- Θα πρέπει να προσέχετε ιδιαίτερα ώστε να αποφεύγετε την υπερβολική πλήρωση του συστήματος.
- Πριν από την επαναπλήρωση του συστήματος, θα πραγματοποιηθεί δοκιμή πίεσεως αυτού με OFN. Το σύστημα θα ελεγχθεί για διαρροές μετά την ολοκλήρωση της φόρτισης, αλλά πριν από τη θέση σε λειτουργία. Θα πραγματοποιηθεί επαναληπτικός έλεγχος διαρροών πριν από την απομάκρυνση από την εγκατάσταση.

## 17. Απόσυρση από τη χρήση

Πριν από την εκτέλεση αυτής της διαδικασίας, είναι σημαντικό ο τεχνικός να είναι απολύτως εξοικειωμένος με τον εξοπλισμό σε όλες του τις λεπτομέρειες. Μια συνιστώμενη ορθή πρακτική είναι να γίνεται με ασφάλεια η ανάκτηση όλων των ψυκτικών. Πριν από τη διεξαγωγή αυτής της εργασίας, θα πρέπει να ληφθεί δείγμα λαδιού και ψυκτικού.

Στην περίπτωση που απαιτείται ανάλυση πριν επαναχρησιμοποιηθεί το ανακτημένο ψυκτικό, είναι ουσιώδους σημασίας να υπάρχει διαθέσιμο ηλεκτρικό ρεύμα πριν από την έναρξη της εργασίας.

α) Εξοικειωθείτε με τον εξοπλισμό και τη λειτουργία του.

β) Απομονώστε το σύστημα από το ρεύμα.

γ) Πριν επιχειρήσετε τη διαδικασία βεβαιωθείτε ότι:

- υπάρχει διαθέσιμος μηχανικός εξοπλισμός διακίνησης, εάν χρειάζεται, για το χειρισμό φιαλών ψυκτικού
- είναι διαθέσιμα όλα τα μέσα ατομικής προστασίας και χρησιμοποιούνται σωστά
- η διαδικασία της ανάκτησης επιτηρείται συνεχώς από άτομο με τις κατάλληλες γνώσεις
- ο εξοπλισμός ανάκτησης και οι φιάλες συμμορφώνονται με τα κατάλληλα πρότυπα

δ) Μειώστε την πίεση στο σύστημα ψυκτικού με άντληση, αν είναι δυνατόν.

ε) Εάν δεν είναι δυνατόν να αναπτυχθεί κενό, δημιουργήστε μια πολλαπλή έτσι ώστε το ψυκτικό να μπορεί να αφαιρεθεί από τα διάφορα μέρη του συστήματος.

στ) Βεβαιωθείτε ότι ο κύλινδρος βρίσκεται επάνω σε ζυγό, πριν από τη διεξαγωγή της ανάκτησης.

ζ) Ξεκινήστε τη συσκευή ανάκτησης και χρησιμοποιήστε την σύμφωνα με τις οδηγίες του κατασκευαστή.

η) Μην γεμίζετε υπερβολικά τις φιάλες. (όχι περισσότερο από το 80% του υγρού φορτίου κατ' όγκο).

θ) Μην ξεπερνάτε τη μέγιστη πίεση λειτουργίας της φιάλης, έστω και προσωρινά.

ι) Όταν οι φιάλες έχουν γεμίσει σωστά και η διεργασία έχει ολοκληρωθεί, βεβαιωθείτε ότι οι φιάλες και ο εξοπλισμός απομακρύνονται αμέσως από την περιοχή και όλες οι απομονωτικές βαλβίδες επί του εξοπλισμού είναι κλειστές.

ια) Το ανακτημένο ψυκτικό δεν πρέπει να τοποθετείται μέσα σε άλλο σύστημα ψύξης, παρά μόνο εφόσον προηγουμένως καθαριστεί και ελεγχθεί.

## 18. Επισήμανση

Ο εξοπλισμός θα πρέπει να επισημάινεται έτσι ώστε να υποδηλώνεται ότι έχει τεθεί εκτός χρήσης και ότι έχει αδειάσει το ψυκτικό από αυτόν. Η σχετική ετικέτα πρέπει να φέρει ημερομηνία και υπογραφή. Βεβαιωθείτε ότι υπάρχουν ετικέτες στον εξοπλισμό που να δηλώνουν ότι ο εξοπλισμός περιέχει εύφλεκτο ψυκτικό.

## 19. Ανάκτηση

- Κατά την αφαίρεση του ψυκτικού από ένα σύστημα, είτε για συντήρηση ή για απόσυρση από τη χρήση, συνιστάται να πραγματοποιείται με ασφάλεια η απομάκρυνση όλων των ψυκτικών.
- Κατά τη μεταφορά ψυκτικού σε φιάλες, φροντίστε να χρησιμοποιούνται μόνο κατάλληλες φιάλες ανάκτησης ψυκτικού. Βεβαιωθείτε ότι είναι διαθέσιμος ο κατάλληλος αριθμός φιαλών για την αποθήκευση του συνολικού φορτίου του συστήματος. Όλες οι φιάλες που θα χρησιμοποιηθούν, είναι κατάλληλων προδιαγραφών για το ανακτημένο ψυκτικό και έχουν επισήμανση για αυτό το ψυκτικό (δηλ. ειδικές φιάλες ανάκτησης ψυκτικού). Οι φιάλες θα πρέπει να είναι πλήρεις με βαλβίδα εκτόνωσης πίεσης και συναφείς βαλβίδες διακοπής σε καλή κατάσταση.
- Οι άδειες φιάλες ανάκτησης εκκενώνονται και, αν είναι δυνατόν, ψύχονται πριν πραγματοποιηθεί η ανάκτηση.
- Ο εξοπλισμός ανάκτησης πρέπει να είναι σε καλή κατάσταση λειτουργίας με ένα σύνολο από οδηγίες όσον αφορά στο συγκεκριμένο εξοπλισμό. Θα πρέπει να είναι κατάλληλος για την ανάκτηση εύφλεκτων ψυκτικών μέσων. Επιπλέον, θα υπάρχει διαθέσιμο ένα συγκρότημα από βαθμονομημένους ζυγούς οι οποίοι θα είναι σε καλή κατάσταση λειτουργίας.
- Οι εύκαμπτοι σωλήνες θα είναι πλήρεις με συνδέσμους απομόνωσης ασφαλείας έναντι διαρροών και σε καλή κατάσταση. Πριν από τη χρήση της συσκευής ανάκτησης, βεβαιωθείτε ότι είναι σε ικανοποιητική κατάσταση λειτουργίας, συντηρείται σωστά και τα συναφή ηλεκτρολογικά μέρη είναι στεγανά, για την αποφυγή ανάφλεξης στην περίπτωση έκλυσης ψυκτικού. Συνεννοηθείτε με τον κατασκευαστή εάν έχετε αμφιβολία.
- Το ανακτημένο ψυκτικό θα πρέπει να επιστραφεί στον προμηθευτή του ψυκτικού, εντός της σωστής φιάλης ανάκτησης και να φροντίσετε να υπάρχει το σχετικό παραστατικό (Δελτίο μεταφοράς απορριμμάτων). Μην αναμιγνύετε διαφορετικά ψυκτικά στις μονάδες ανάκτησης, ιδιαίτερα μέσα στις φιάλες.
- Εάν πρόκειται να αφαιρεθούν συμπιεστές ή έλαια συμπιεστών, βεβαιωθείτε ότι έχουν εκκενωθεί σε αποδεκτό βαθμό, προκειμένου να εξασφαλιστεί ότι δεν έχει απομείνει εύφλεκτο ψυκτικό μέσα στο λιπαντικό. Η διαδικασία της εκκένωσης θα πρέπει να πραγματοποιείται πριν από την επιστροφή του συμπιεστή στους προμηθευτές. Για την επιτάχυνση αυτής της διεργασίας, μπορεί να χρησιμοποιείται μόνο ηλεκτρική θέρμανση στον κορμό του συμπιεστή. Κατά την αποστράγγιση λαδιού από ένα σύστημα, αυτή θα πρέπει να γίνεται με ασφαλή τρόπο.

## 20. Μεταφορά, επισήμανση και αποθήκευση μονάδων

1. Μεταφορά εξοπλισμού που περιέχει εύφλεκτα ψυκτικά. Συμμόρφωση με τους κανονισμούς μεταφοράς
2. Σήμανση του εξοπλισμού με πινακίδες. Συμμόρφωση με τους τοπικούς κανονισμούς
3. Διάθεση εξοπλισμού που χρησιμοποιεί εύφλεκτα ψυκτικά. Συμμόρφωση με τους εθνικούς κανονισμούς
4. Αποθήκευση εξοπλισμού / συσκευών. Η αποθήκευση του εξοπλισμού θα πρέπει να συμμορφώνεται με τις οδηγίες του κατασκευαστή.
5. Αποθήκευση συσκευασμένου εξοπλισμού (που δεν έχει ακόμα πουληθεί)

Ο σκελετός προστασίας για την αποθήκευση θα πρέπει να είναι κατασκευασμένος έτσι ώστε να μην είναι δυνατή η διαρροή του φορτίου ψυκτικού λόγω μηχανικής βλάβης του εξοπλισμού εντός της συσκευασίας. Ο μέγιστος αριθμός τεμαχίων εξοπλισμού που επιτρέπεται να αποθηκεύονται στο ίδιο σύνολο, ορίζεται από τους τοπικούς κανονισμούς.

---

Όλες οι εικόνες στο παρόν εγχειρίδιο εξυπηρετούν επεξηγηματικούς σκοπούς. Το προϊόν που προμηθευτήκατε μπορεί να εμφανίζει ορισμένες διαφορές ως προς το σχήμα, ωστόσο οι λειτουργίες και τα χαρακτηριστικά παραμένουν ίδια. Η εταιρεία δεν φέρει ευθύνη για τυχόν τυπογραφικά λάθη. Ο σχεδιασμός και οι προδιαγραφές του προϊόντος μπορεί να τροποποιηθούν χωρίς προηγούμενη ειδοποίηση με σκοπό τη βελτίωση των προϊόντων. Για λεπτομέρειες, απευθυνθείτε στον κατασκευαστή στο 211 300 3300 ή στον αντιπρόσωπο. Τυχόν ενημερώσεις του εγχειρίδιου θα αναρτηθούν στην ιστοσελίδα του κατασκευαστή, παρακαλούμε να ελέγξετε για την πιο πρόσφατη έκδοση.

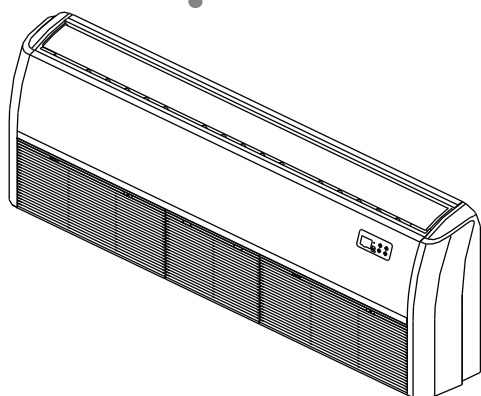
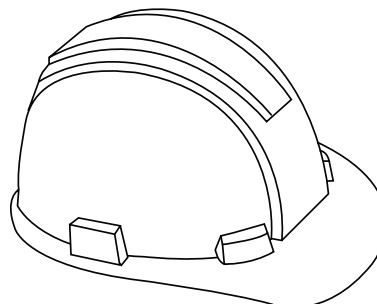


Σαρώστε εδώ για να κατεβάσετε την τελευταία έκδοση του εγχειριδίου.  
[www.inventoraircondition.gr/media-library](http://www.inventoraircondition.gr/media-library)

# Cuprins

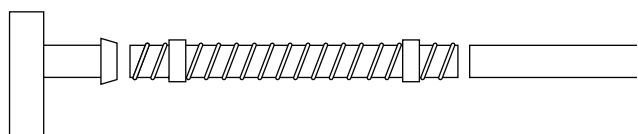
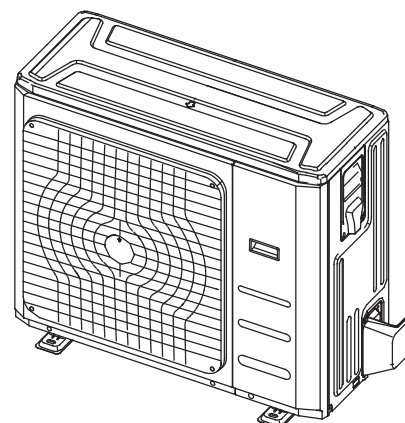
## Manual instalare

<b>1</b>	Accesorii .....	04
<b>2</b>	Masuri de siguranta.....	05
<b>3</b>	Sumarul instalarii.....	11



<b>4</b>	Instalarea unitatii interioare.....	12
	a. Componentele unitatii interioare ....	12
	b. Instructiuni pentru instalarea unitatii interioare.....	13

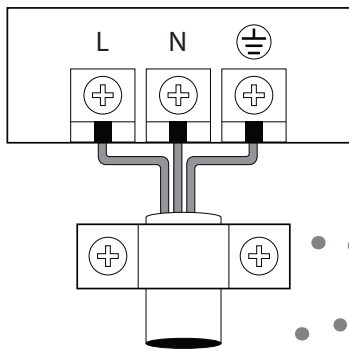
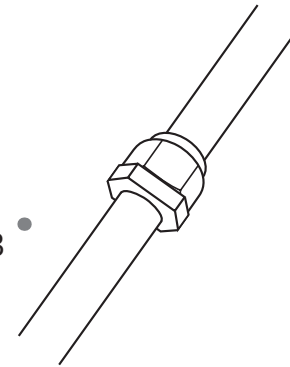
<b>5</b>	Instalarea unitatii exterioare.....	18
	a. Instructiuni pentru instalarea unitatii exterioare .....	18
	b. Instalarea racordului de scurgere.....	20
	c. Informatii cu privire la strapungerea peretelui .....	20



**6** Instalarea conductei pentru agentul frigorific..... 21

A. Informatii cu privire la elevatie si lungimea conductei ..... 21

B. Instructiuni pentru conectarea conductei de refrigerant ..... 23



**7** Lucrari de conexiune a cablurilor electrice.....25

a. Cablajul unitatii exterioare .....26

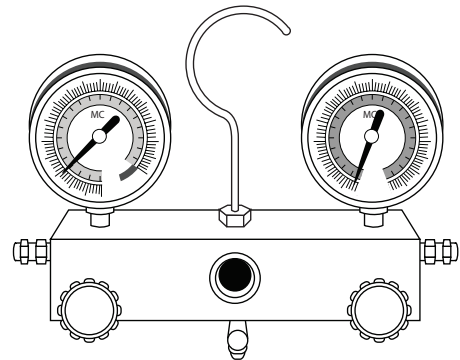
b. Cablajul unitatii interioare .....27

c. Specificatii electrice.....28

**8** Vidarea instalatiei .....29

a. Instructiuni pentru vidare .....29

b. Note cu privire la completarea cantitatii de agent frigorific .....30



**9** Testarea instalatiei.....31

**10** Directivele europene pentru eliminarea deseului.....32

**11** Note informative pentru service.....33

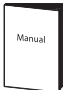
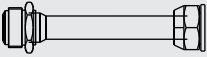
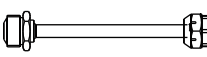
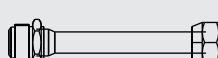

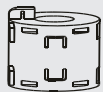




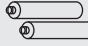
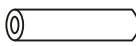
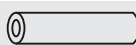







Atentie: PERICOL DE INCENDIU  
(agent frigorific R32/R290)

# Accesoriile incluse

# 1

Aparatul dumneavoastra de aer conditionat, are accesoriile de mai jos incluse in colet. La instalare, folositi toate partile componente si accesoriile. Instalarea necorespunzatoare, poate duce la scurgeri de apa, soc electric, incendiu sau defectarea aparatului.

Denumire	Cantitate	Aspect fizic
Manual instalare	2~4	
Conector de transfer (ΦΦ12.7-ΦΦ15.9) (unele modele)	1	
Conector de transfer (ΦΦ6.35-ΦΦ9.52) (unele modele)	1	
Conector de transfer (ΦΦ9.52-ΦΦ12.7) (unele modele)	1	
Colier magnetic (infa-surati cablurile S1&S2 - P&Q&E, de doua ori, in jurul colierului)	1	 S1&S2(P&Q&E)
Colier magnetic (conectati-l pe cablul de conectare dintre unitatea interioara si cea exterioara, dupa instalare).	1	
Telecomanda cu fir (unele modele)	1	

Denumire	Cantitate	Aspect fizic
Telecomanda	1	
Baterie AAA	2	
Carcasa izolata fonic/izolanta (unele modele)	2	
Teava de izolatie	1	
Oupa	6 Variaza in functie de model	
Surub de fixare a bazei de montare	6 Variaza in functie de model	
Racord de scurgere (unele modele)	1	
Garnitura etansare	1	
Rakor	2	
Fir rosu (unele modele)	1	
Filtru de aer (unele modele)	2	

## Accesorii optionale

- Exista doua tipuri de telecomenzi: cu fir si fara fir. Selectati o telecomanda in functie de preferintele si cerintele clientului si instalati-o intr-un loc adecvat. Consultati cataloagele si documentatia tehnica pentru indrumari privind selectarea unei telecomenzi adecvate.

**Cititi aceste informatii cu privire la masurile de siguranta, inaintea instalarii. Instalarea incorecta datorata ignorarii acestor informatii, poate cauza ranirea utilizatorului sau defectarea aparatului.**

Gradul pericolului de ranire este clasificat cu **AVERTIZARE** sau **ATENTIONARE**.



**AVERTIZARE**

Ignorarea instructiunilor poate duce la deces. Aparatul va fi instalat doar respectand normele nationale si legislatia in vigoare.



**ATENTIONARE**

Ignorarea acestor instructiuni poate duce la ranirea utilizatorului sau defectarea aparatului.



Acest simbol va indica faptul ca actiunea respectiva este strict interzisa.



**AVERTIZARE**

1. Cititi cu atentie aceste instructiuni inainte de instalare.
2. In anumite incaperi precum bucatariile sau incaperile pentru servere, se recomanda utilizarea aparatelor special construite pentru acest tip de incapere.
3. Asigurati-va ca instalarea si repararea acestui aparat, vor fi facute doar de catre personal calificat.
4. Instalarea necorespunzatoare a aparatului poate duce la aparitia pericolului de electrocutare, scurt-circuit, scurgeri, incendiu sau defectarea aparatului. (In America de Nord, instalarea va fi executata doar de personal autorizat NEC si CEC).
5. Respectati cu strictete instructiunile de instalare.
6. Inainte de instalare, luati in considerare impactul fenomenelor naturale precum vant puternic, taifunuri, cutremurele, etc. si alegeti locul de instalare corect. Ignorarea acestor aspecte poate duce la defectarea aparatului.
7. Acest aparat poate fi folosit de catre copii de minim 8 ani sau de catre persoane cu abilitati fizice, senzoriale sau mentale reduse, doar sub atenta supraveghere si dupa ce s-a asigurat instructajul. Copiilor nu le va fi permis sa se joace cu acest aparat. Curatarea acestui aparat nu v-a fi facuta de catre copii, fara supravegherea atenta a unui adult. (Standarde EN).
8. Nu folositi alte mijloace pentru accelerarea dezghetarii aparatului.
9. Persoanele cu capacitati fizice, senzoriale sau mentale reduse, sau fara experienta (inclusiv copii), nu pot utiliza acest aparat decat sub supraveghere atenta sau dupa ce au fost instruite. Copii vor fi supravegheati, pentru a va asigura ca nu se vor juca cu aparatul (Standard IEC).
10. Copii vor fi supravegheati, pentru a va asigura ca nu se vor juca cu aparatul (Standard IEC).
11. În cazul în care cablul de alimentare este deteriorat, acesta trebuie înlocuit de către producător, agentul său de service sau persoane calificate în mod similar, pentru a evita un pericol
12. Aparatul trebuie să fie instalat în conformitate cu reglementările naționale de cablare
13. Este necesar sa aveti un comutator de deconectare multipolar ce are o separare de contact de cel puțin 3 mm la toți polii, cu o intensitate nominala de maxim 30mA si o intensitate de scurgere de maxim 10mA, care va fi incorporat in cablajul X, in conformitate cu regulile de cablaj.



## AVERTIZARE

14. Deconectarea aparatului trebuie să fie încorporat cu un dispozitiv de deconectare multipolar în instalația electrică fixă, în conformitate cu normele de cablare
15. Persoanele care efectuează lucrări la traseul frigorific trebuie să dețină un certificat de autorizare emis de autoritățile competente.
16. Lucrările de service vor fi făcute de către personalul producătorului.
17. Lucrările de mentenanță și reparație, vor fi făcute de către alte persoane calificate, sub atenta supraveghere a persoanei autorizate pentru lucrări ce implică agenți frigorifici inflamabili.
18. Aparatul trebuie să fie depozitat astfel încât să se prevină deteriorarea mecanică de la care apar
19. Asigurați-vă ca prizele gurile de ventilație nu sunt obstrucționate.
20. Nu porniți aparatul decât atunci când lucrarea a fost terminată.
21. Dacă planuiți să mutați aparatul, apălați la personal calificat.
22. În încăperi precum bucătăria, camere pentru server, etc., folosiți aparate de aer condiționat speciale pentru asemenea încăperi.
23. După înlăturarea prizei, pentru verificări, aceasta nu va fi reînaltată decât după ce s-au terminat toate verificările.
24. Dacă acest lucru nu este posibil, asigurați-vă ca alimentarea cu energie electrică este oprită de la siguranță.
25. Pentru suport la instalarea unităților, consultați secțiunea "Instalarea unității interioare" și "Instalarea unității exterioare"



## Atentie

- ⊗ Pentru unitățile ce vin echipate cu siguranță auxiliară pentru încălzire, instalați unitatea la cel puțin 1 metru (3 picioare), de orice material inflamabil.
  - ⊗ Nu instalați aparatul în locații sau aproape de locații unde există gaze sau vapori combustibili. Gazele se pot acumula și pot produce explozii.
  - ⊗ Nu folosiți aparatul într-o încăpere cu umiditate crescută (baie, spălătorie, uscătorie). Pericol de deteriorare a aparatului sau socuri electrice
1. La instalare, asigurați-vă că împământarea a fost făcută corect. Pericol de electrocutare sau socuri electrice.
  2. Instalați conducta de scurgere conform instrucțiunilor. Instalarea incorectă poate cauza pagube materiale.





## Atentionari cu privire la folosirea agentului frigorific R32/R290

### 1. Instalarea (Incaperea)

- Traseul frigorific trebuie mentinut la lungimi minime.
- Traseul frigorific trebuie protejat impotriva deteriorarii fizice accidentale
- Lucrarile se vor executa cu respectarea normelor nationale ce se refera la lucrarile cu agenti frigorifici.
- Conexiunile mecanice vor ramane accesibile pentru lucrarile de mentenanta.
- In situatii in care ventilarea mecanica este necesara, gurile de ventilatie vor fi mereu libere, fara obstructii.
- La eliminarea produsului, se vor respecta legile si regulamentele nationale.
- Aparatul va fi depozitat intr-o incapere bine ventilata.

### 2. Service

- Persoanele care efectueaza lucrari la trasfeul frigorific trebuie sa detina un certificat de autorizare emis de autoritatile competente.
- Lucrarile de service vor fi facute de catre personalul producatorului.

Lucrarile de mentenanta si reparatie, vor fi facute de catre alte persoane calificate, sub atenta supraveghere a persoanei autorizate pentru lucrari ce implica agenti frigorifici inflamabili.

### 3. Nu folositi alte mijloace pentru accelerarea dezghetarii aparatului

Aparatul va fi montat intr-o incapere in care nu exista surse continue de scanteie (un aparat ce functioneaza pe gaz sau incalzitoare electrice).

### 5. Nu strapungeti si nu ardeti aparatul

### 6. Luati in considerare faptul ca agentul frigorific este inodor (fara miros).

### 7. Asigurati-va ca materialele si substantele straine nu vor patrunde in tubulatura (ulei, apa, etc.). De asemenea, atunci cand depozitati tubulatura, sigilati deschiderile, pentru a evita astfel patrunderea particulelor straine.

Pentru unitatile interioare, folositi echipament specific pentru freon R32, atunci cand conectati tubulatura. Folosirea altor echipamente pot produce defectiunea aparatului, spargerea tubulaturii sau vatamare corporala, datorita presiunii interne ridicate.

### 8. Aparatul va fi instalat si folosit intr-o incapere cu o suprafata mai mare decat dimensiunile trecute in tabelul de mai jos.

Traseul tubulaturii va respecta dimensiunile mentionate in tabelul de mai jos.

Aparatul nu va fi instalat intr-o incapere fara ventilare si daca incaperea are o suprafata mai mica decat dimensiunile inscrise in tabelul de mai jos. Instalarea tubulaturii va respecta normele si reglementarile nationale cu privire la traseele conductelor pentru gaz.

Incarcatura maxima pentru o camera trebuie sa fie in conformitate cu urmatoarea formula:

$$m_{\max} = 2,5 \times (\text{LFL})^{(5/4)} \times h_0 \times (\text{A})^{1/2}$$

sau suprafata minima necesara a etajului

Amin pentru a instala o aplicatie cu incarcare de agent frigorific M (kg) trebuie sa fie in conformitate cu urmatoarele:

$$A_{\min} = (M / (2,5 \times (\text{LFL})^{(5/4)} \times h_0))^2$$

Unde:

$m_{\max}$  este incarcarea maxima admisibila intr-o camera, in kg

$M$  este cantitatea de incarcare a agentului frigorific in aparat, in kg

$A_{\min}$  este suprafata minima necesara a camerei, in  $m^2$

$A$  este suprafata camerei, in  $m^2$ ;

$\text{LFL}$  este limita inferioara de inflamabilitate, in  $kg/m^3$

$h_0$  este inaltimea, distanta verticala in metri de la podea pana la punctul unde este instalata unitatea;

$h_0 = (h_{\text{inst}} + h_{\text{rel}})$  sau 0.6 m, oricare dintre acestea este mai mare

$h_{\text{rel}}$  este decalajul in metri de la partea inferioara a aparatului pana la punctul de eliberare

$h_{\text{inst}}$  reprezinta inaltimea instalata in metri a unitatii

#### **Inaltimele de referinta pentru instalare sunt date mai jos:**

0,0 m pentru portabil si montat pe podea; 1,0 m pentru montare pe fereastră;

1,8 m pentru montare pe perete;

2.2m pentru montaj pe tavan;

Daca inaltimea minima instalata data de producator este mai mare decat inaltimea instalata de referinta, atunci  $A_{\min}$  si  $m_{\max}$  pentru inaltimea instalata de referinta trebuie sa fie furnizate de producator. Un aparat poate avea inaltime de referinta multiple. In acest caz, trebuie furnizate calcule  $A_{\min}$  si  $m_{\max}$  pentru toate inaltimele de referinta aplicabile.

Pentru aparatele care deservesc una sau mai multe incaperi cu sistem de tip duct, cea mai joasa deschidere a conexiunii de conducta la fiecare spatiu conditionat sau orice deschidere a unitatii interioare mai mare de 5  $cm^2$ , la cea mai joasa pozitie fata de spatiu, se utilizeaza pentru  $h_0$ . Cu toate acestea,  $h_0$  nu trebuie sa fie mai mic de 0.6 m.  $A_{\min}$  se calculeaza in functie de inaltimele de deschidere ale ductului catre spatii si de sarcina de agent frigorific pentru spatiile in care poate curge agentul frigorific pierdut, luand in considerare locul unde este amplasata unitatea. Toate spatiile trebuie sa aiba o suprafata mai mare decat  $A_{\min}$ .

**NOTA 1** Aceasta formula nu poate fi utilizata pentru agenti frigorifici mai mici de 42 kg / kmol.

**NOTA 2** Cateva exemple de rezultate ale calculelor conform formulei de mai sus sunt prezentate in tabelele 1-1 si 1-2.

**NOTA 3** Pentru aparatele sigilate din fabrica, pe placuta de identificare de pe unitate este marcata incarcatura agentul frigorific care poate fi utilizata pentru a calcula Amin.

**NOTA 4** Pentru produsele incarcate pe teren, calculul Amin este bazat pe incarcarea instalata a agentului frigorific, care sa nu depaseasca sarcina maxima specificata de producator.

Pentru detalii legate de incarcarea maxima intr-o camera si suprafata minima necesara pentru instalarea unui aparat, va rugam sa consultati « Manualul de utilizare » si « Manualul de instalare » al unitatii. Pentru informatii specifice despre tipul de refrigerant si cantitate, va rugam sa consultati eticheta relevanta pe unitate.

**Tabelul 1-1 Incarcare maxima refrigerant (kg)**

Tipul de agent frigorific	LFL (kg/m <sup>3</sup> )	Inaltimea de instalare H <sub>0</sub> (m)	Suprafata (m <sup>2</sup> )						
			4	7	10	15	20	30	50
R32	0.306								
		0.6	0.68	0.90	1.08	1.32	1.53	1.87	2.41
		1.0	1.14	1.51	1.80	2.20	2.54	3.12	4.02
		1.8	2.05	2.71	3.24	3.97	4.58	5.61	7.24
		2.2	2.50	3.31	3.96	4.85	5.60	6.86	8.85
R290	0.038	0.6	0.05	0.07	0.08	0.10	0.11	0.14	0.18
		1.0	0.08	0.11	0.13	0.16	0.19	0.23	0.30
		1.8	0.15	0.20	0.24	0.29	0.34	0.41	0.53
		2.2	0.18	0.24	0.29	0.36	0.41	0.51	0.65






**Tabelul 1-2 Suprafata minima a camerei (m<sup>2</sup>)**

Tipul de agent frigorific	LFL (kg/m <sup>3</sup> )	Inaltimea de instalare H <sub>0</sub> (m)	Incarcare refrigerant in kg Suprafata minima a camerei (m <sup>2</sup> )						
			1.224 kg	1.836 kg	2.448 kg	3.672 kg	4.896 kg	6.12 kg	7.956 kg
R32	0.306								
		0.6		29	51	116	206	321	543
		1.0		10	19	42	74	116	196
		1.8		3	6	13	23	36	60
		2.2		2	4	9	15	24	40
R290	0.038		0.152 kg	0.228 kg	0.304 kg	0.456 kg	0.608 kg	0.76 kg	0.988 kg
		0.6		82	146	328	584	912	1541
		1.0		30	53	118	210	328	555
		1.8		9	16	36	65	101	171
		2.2		6	11	24	43	68	115

## Note cu privire la gazele fluorurate

1. Acest aparat contine gaze fluorurate. Pentru mai multe informatii cu privire la tipul gazului si cantitatea, consultati eticheta aflata pe unitate. Sau a "Manualului utilizatorului - fisa produs", inclus in cutia unitatii exterioare. (Valabil doar pentru produsele disponibile pentru Uniunea Europeana).
2. Instalarea sau lucrarile de service, mentenanta si reparatie vor fi facute de catre personal autorizat.
3. Dezinstalarea si reciclarea produsului trebuie facute de catre personal autorizat.
4. Pentru echipamente ce contin gaze fluorinate cu effect de sera, in cantitati mai mari de 5 tone CO<sub>2</sub>, sau mai mult, dar mai putin de 50 de tone CO<sub>2</sub>, daca sistemul este echipat cu system pentru detectarea scurgerilor, aparatul va trebui sa fie verificat cel putin o data la 24 de luni.
5. Tineti evidenta verificarilor pentru scurgeri.

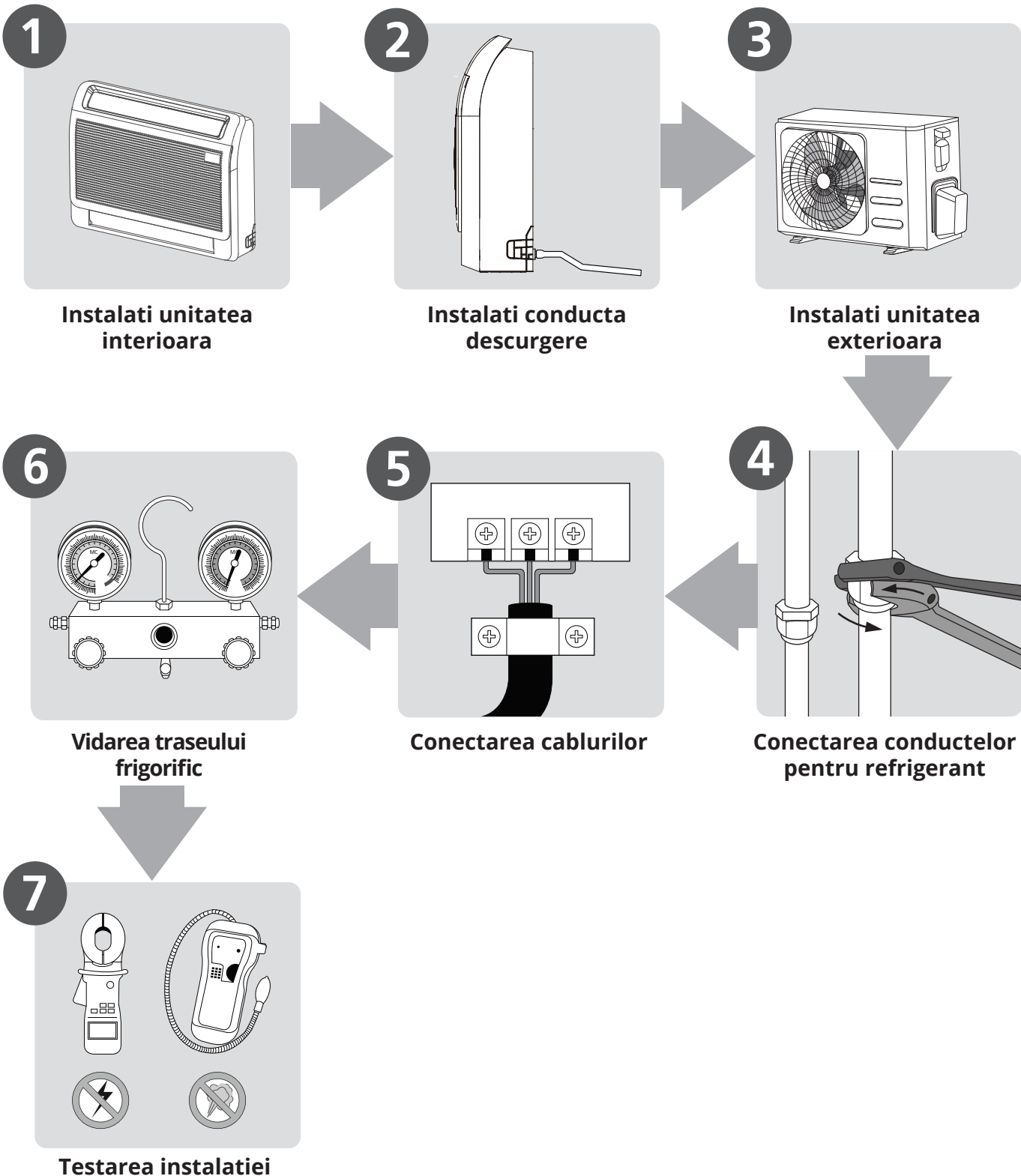
## Explicarea simbolurilor afisate pe unitatile interioare/exteriorare (valabil doar pentru aparatele care folosesc agent frigorific R32/R290):

	<b>AVERTIZARE</b>	Acest simbol va subliniaza faptul ca aparatul utilizeaza agent frigorific inflamabil. In cazul unei scurgeri, poate aparea pericolul declansarii unui incendiu.
	<b>ATENTIONARE</b>	Acest simbol va atentioneaza ca manualul de utilizare trebuie citit cu atentie.
	<b>ATENTIONARE</b>	Acest simbol va atentioneaza asupra faptului ca personalul autorizat va trebui sa respecte cu strictete manualul de instalare.
	<b>ATENTIONARE</b>	
	<b>ATENTIONARE</b>	Acest simbol va atentioneaza ca informatiile necesare pot fi gasite in manualul de utilizare sau manualul de instalare.

# Sumarul instalarii

# 3

## Ordinea instalarii

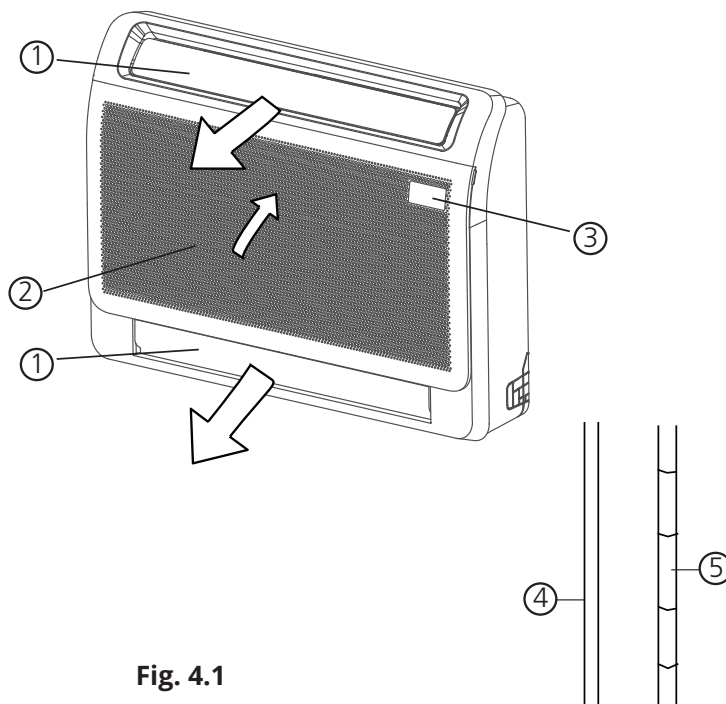


# Instalarea unitatii interioare

# 4

## Partile componente ale unitatii interioare

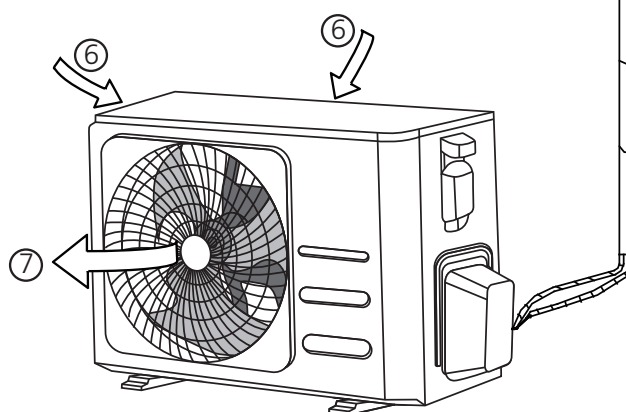
**NOTA:** Instalarea trebuie efectuata in conformitate cu cerintele standardelor locale si nationale. Instalarea poate fi usor diferita in functie de regiune.α



- ① Flaps (evacuare aer)
- ② Priza admisie aer (cu filtru)
- ③ Afisaj
- ④ Teava de scurgere

Fig. 4.1

- ⑤ Conducta de legatura
- ⑥ Admisia aerului
- ⑦ Evacuarea aerului



## NOTA LA ILUSTRATII

- Conducta poate fi conectata din stanga, dreapta, spatele si partea inferioara a unitatii. Va rugam sa selectati metoda in functie de necesitatea reala.
- Ilustratiile din acest manual au scop explicativ. Forma reala a unitatii dvs. interioare poate fi usor diferita. Forma reala va prevala.

## Instructiuni pentru instalarea unitatii interioare.

**NOTA:** Instalarea panoului se va face doar dupa ce ati finalizat instalarea cablajului si a tubulaturii.

### Pasul 1: Alegeti locatia instalarii

Unitatea interioara va fi instalata respectand cerintele de mai jos:

- ☑ Unitatea va fi instalata la o distanta de cel putin 1m fata de cel mai apropiat perete.
- ☑ Asigurati suficient spatiu liber pentru lucrarile de mentenanta si reparatie.
- ☑ Asigurati suficient spatiu pentru conectarea tubulaturii si a cablajului.
- ☑ Plafonul este drept (orizontal) si poate sustine greutatea unitatii.
- ☑ Prizele de aer nu sunt obstructionate.
- ☑ Fluxul de aer poate fi distribuit in toata incaperea.
- ☑ Nu se afla in raza incalzitoarelor.



## ATENTIONARE

**NU INSTALATI** unitatea in situatiile de mai jos:

- ⊗ In zone de foraj (petrolier sau gazifer)
- ⊗ In zone de coasta cu aer foarte sarat.
- ⊗ In zone cu o concentratie mare de gaze caustice in aer ( in zona cu izvoare de apa fierbinte.
- ⊗ In zone cu fluctuatii mari de tensiune (fabrici).
- ⊗ In spatii inchise (dulapuri)
- ⊗ In bucatarii in care se foloseste gazul natural.
- ⊗ In zone cu fluctuatii electromagnetice puternice.
- ⊗ In spatii in care se depoziteaza materiale sau gaze inflamabile.
- ⊗ In incaperi cu umiditate ridicata (bai, spalatorii, etc.).

## SPATII LIBERE RECOMANDATE INTRE UNITATILE INTERIOARE

Distanta dintre unitatile interne si trebuie sa indeplineasca urmatoarele conditii (Fig 4.2)

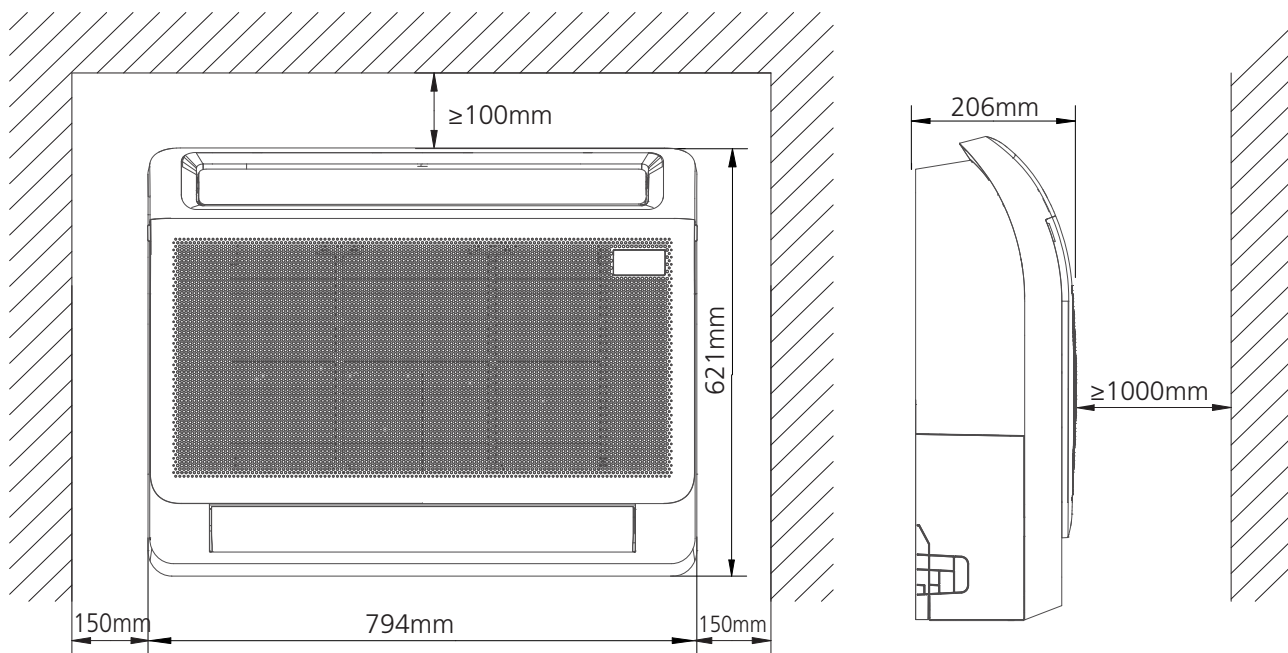
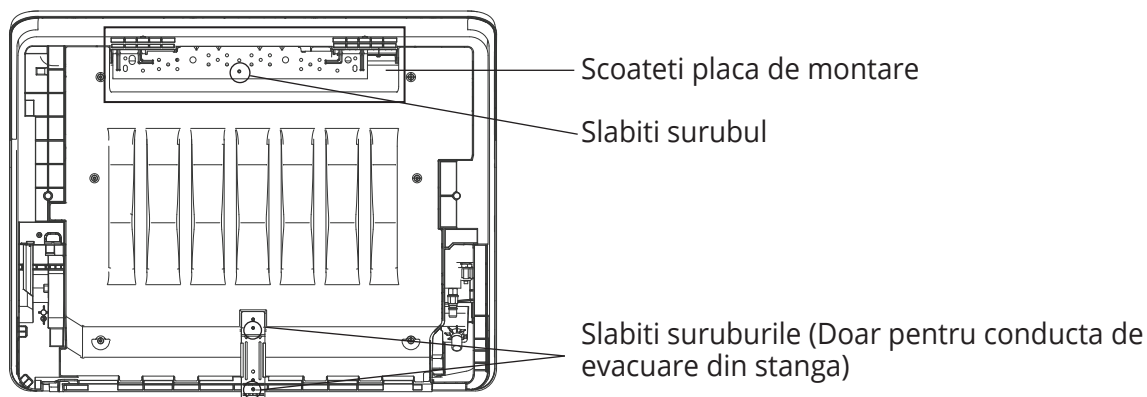


Fig. 4.2



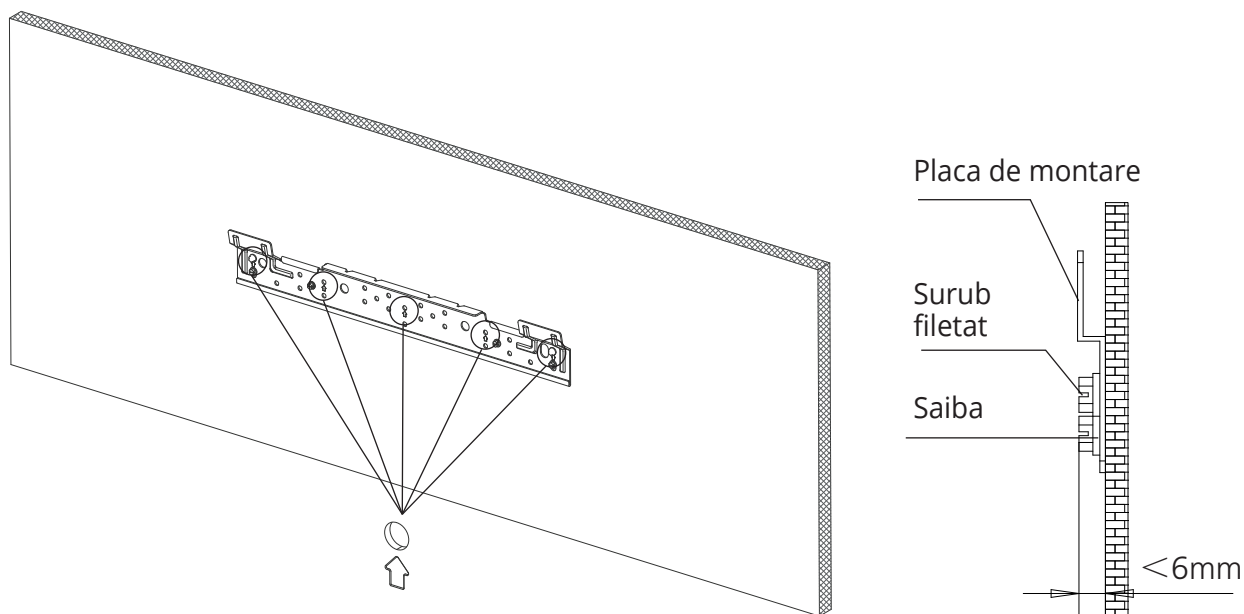
## Pasul 2: Instalarea corpului principal

- După slăbirea suruburilor, scoateți placa de montare din unitate.



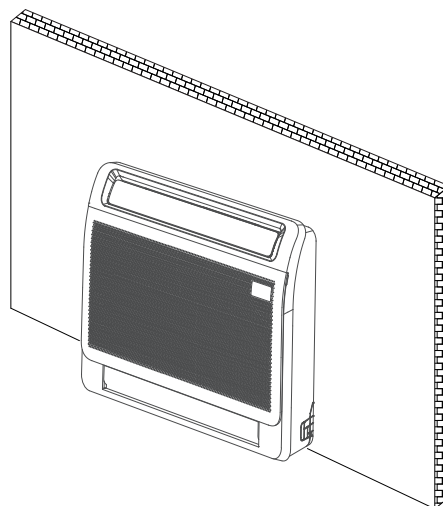
**NOTA:** Dacă teava are evacuare pe partea stângă, este necesar să slăbiți suruburile de pe placa de montaj inferioară. Dacă conducta are evacuare în alte direcții, nu este necesară această operațiune.

- Fixați placa de montare pe perete cu un șurub.  
NOTA: Se recomandă fixarea acestuia pe perete conform orificiului de suspendare indicat de săgeata de pe placa de montare. Placa de montare trebuie instalată orizontal.



- Fixați unitatea internă pe placa de montare. (Partea de jos poate atinge podeaua sau poate rămâne suspendată, dar corpul trebuie instalat vertical.)

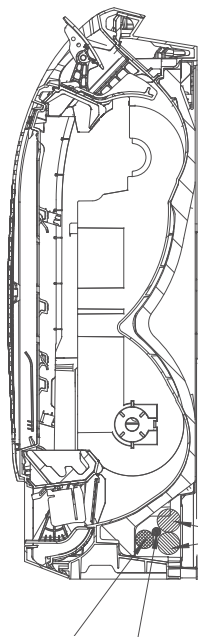
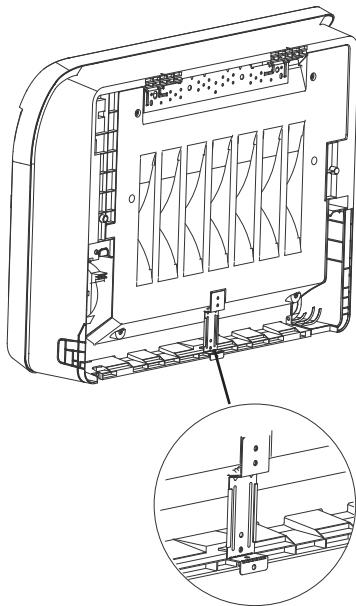
NOTA: După instalare, unitatea trebuie menținută orizontală, fără înclinare.



- Instalarea placii de montaj inferioara

Instalare fara plinte

Placa de montare inferioara este fixata direct pe perete.



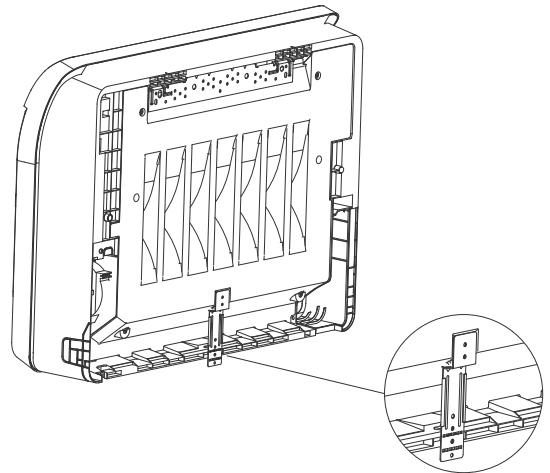
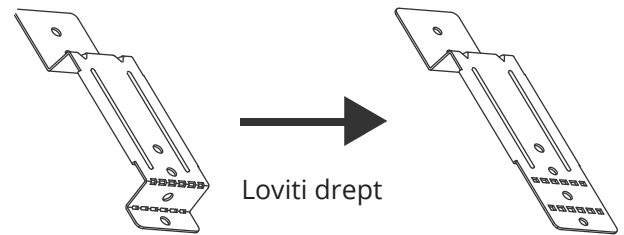
Conducta de agent frigorific

Teava de scurgere Cablu de alimentare

NOTA: Pentru a permite scurgerea fara probleme, pozitia tevii de scurgere trebuie sa faca referinta la figura de mai sus.

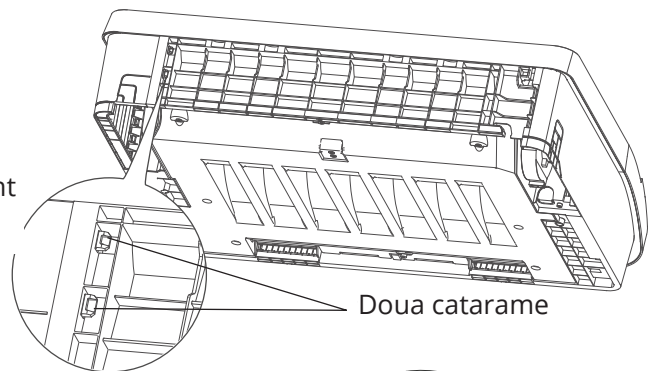
- Instalare cu linie de plinte

Loviti placa de montaj de jos drept cu o unealta si fixati-o pe linia de plinte.

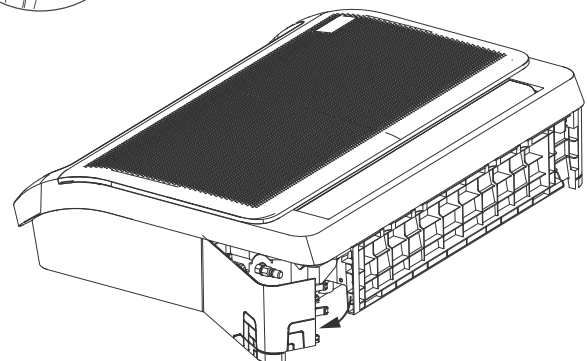


### Pasul 3: Demontarea unitatii interioare pentru a conecta conductele

1. Deschideti placa de acoperire a conductei de jos. Apasati si tineti apasate cele doua catarami inferioare, apoi rotiti pentru a deschide placa de acoperire a conductelor.

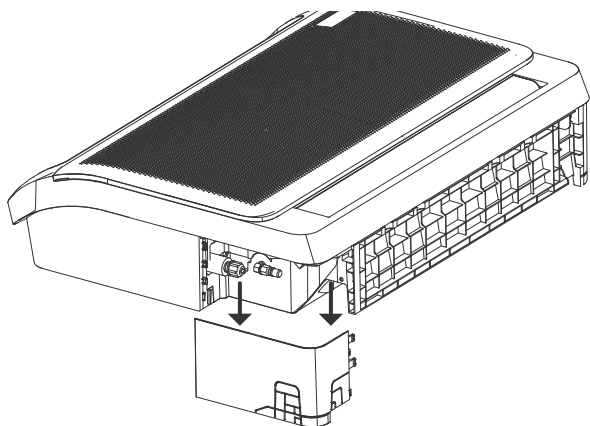


Doua catarami



## 2. Scoateti capacul protector

Scoateti capacul protector al tevii si instalati tevile de conectare interioare si externe.



**NOTA:** Instalati mai intai conductele de dimensiuni mici, apoi conductele de dimensiuni mari.

**NOTA:** Toate figurile din acest manual au scop demonstrativ. Aparatul de aer conditionat pe care l-ati achizitionat poate avea un design usor diferit, desi este similar ca forma.

## Pasul 4: Setarea adresei de retea. (valabil doar pentru anumite modele)

Doar aparatele de 18000 Btu/h ofera functia de setare a adresei de retea.

Fiecare aparat de aer conditionat din retea va avea o adresa, pentru diferentiere. Adresa in retele LAN va fi setata de comutatoarele S1&S2, situate pe placa de control principala a unitatii interioare si valoarea se poate alege in intervalul 0-63.

Comutatoarele		Cod de adresa retea
S1	S2	
		00~15
		16~31
		32~47
		48-63

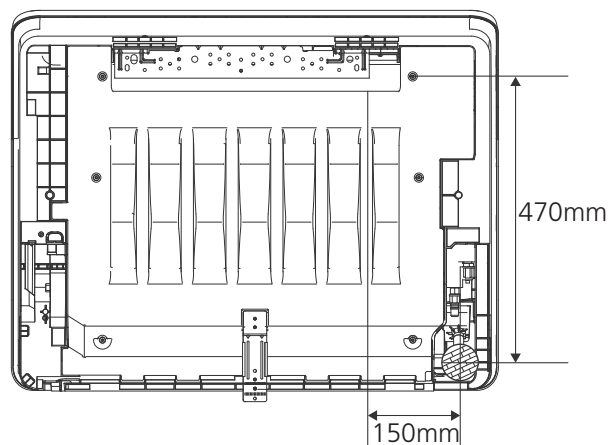
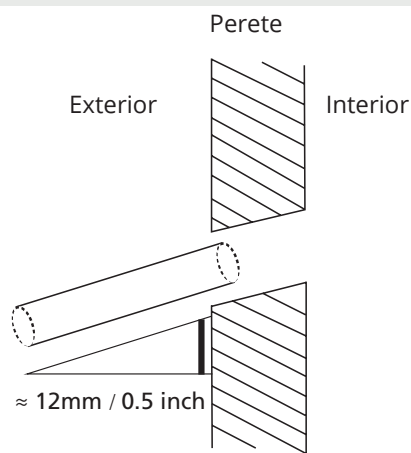
## Pasul 5: Faceti o gaura in perete pentru conductele de legatura

1. Determinati locatia orificiului de perete pe baza locatiei unitatii exterioare.
2. Strapungeti peretele folosind un burghiu de 65 mm. Asigurati-va ca strapungerea este facuta cu inclinare inferioara, pentru ca punctul de iesire sa fie mai jos decat punctul de intrare cu 12 mm. Aceasta inclinare va asigura un drenaj adecvat al apei.
3. Introduceti tubul de protectie in in orificiu. Acesta va proteja marginile gaurii si va ajuta la etansarea acesteia atunci cand finalizati procesul de instalare.



### ATENȚIE:

Cand gauriti peretele, asigurati-va ca evitati firele, instalatiile sanitare si alte materiale sensibile.



Pozitia recomandata si dimensiunea tevii de evacuare din spate prin orificiul din perete.

## Pasul 6: Conectati furtunul de scurgere

Conducta de scurgere este folosita pentru eliminarea apei din unitate. Instalarea incorecta a acesteia, poate duce la defectarea aparatului.

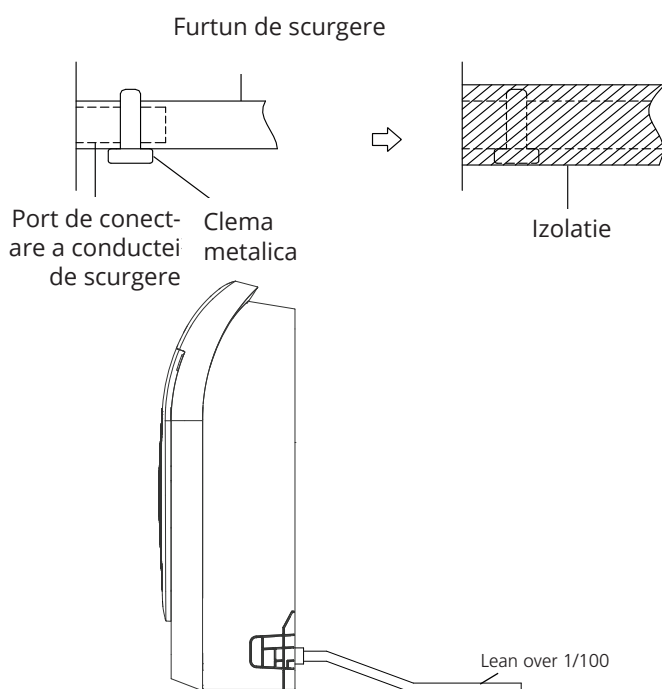
### ⚠ ATENTIONARE

- Izolati tubulatura pentru a preveni aparitia condensului. Pericol de defectare a aparatului.
- Daca conducta de scurgere este indoita sau instalata incorect, pot aparea scurgeri de apa care pot cauza defectiuni ale sistemului de scurgere.
- In timpul functionarii in modul incalzire, unitatea exterioara va elimina apa. Asigurati-va ca furtunul de scurgere este montat corect, pentru a evita scurgerea apei si inghetarea acesteia in locuri circulare.
- NU TRAGETI de conducta de scurgere pentru a o deconecta.

### NOTA CU PRIVIRE LA ACHIZITIONAREA CONDUCTELOR

Pentru aceasta instalare, veti avea nevoie de conducta de polietilena, cu diametru exterior de 3.7-3.9cm si diametru interior de 3.2cm. Aceste conducte pot fi achizitionate de la orice magazin de specialitate.

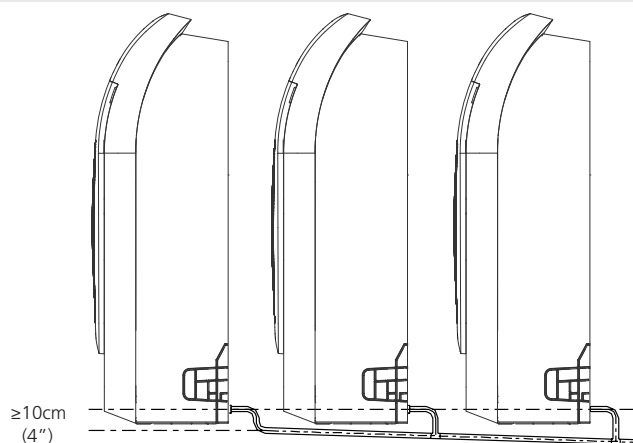
1. Izolati conducta cu banda izolanta, pentru a preveni aparitia condensului si a scurgerilor.
2. Conectati conducta la portul de conectare al unitatii. Izolati si strangeti cu o clema metalica.



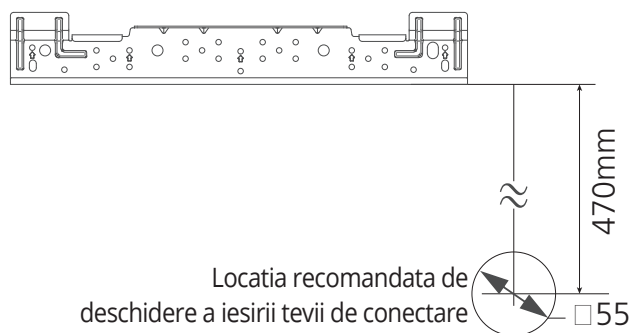
### NOTE CU PRIVIRE LA INSTALAREA CONDUCTEI DE SCURGERE

- Daca extindeti conducta de scurgere, securizati conexiunea la unitatea interioara cu un tub de protectie, pentru a preveni desprinderea acesteia.
- Conducta de scurgere trebuie indreptata in jos, in treapta de cel putin 1/100 pentru a preveni scurgerea apei inapoi, catre unitate.
- Instalarea incorecta poate duce la scurgerea apei inapoi in unitatea interioara, cauzand inundatii.

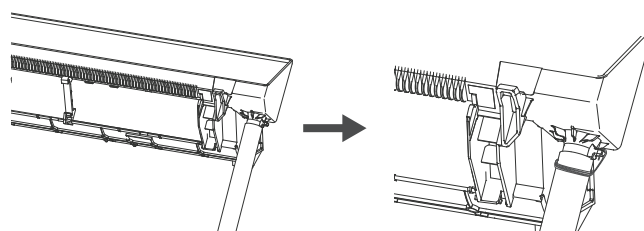
**NOTA:** Cand conectati mai multe conducte de scurgere, instalati conductele asa cum este ilustrat.



Pentru a asigura o scurgere lina, diferenta de inaltime dintre priza de perete si placa de suspendare trebuie sa fie mai mare de 470 mm.



Cerinte de fixare a conductelor de drenaj. Cand instalati conducta de drenaj (nu este furnizata), va rugam sa o fixati cu o franghie.



# Instalarea unitatii exterioare

# 5

## Instructiuni pentru instalarea unitatii exterioare.

### Pasul 1: Alegeti locul instalarii

Locul in care veti instala unitatea exterioara trebuie sa indeplineasca urmatoarele conditii:

- ☑ Unitatea exterioara se va monta cat mai aproape de unitatea interioara.
  - ☑ Asigurati spatiu suficient pentru a instala unitatea.
  - ☑ Prizele de aer ale unitatii, nu vor fi obstructate.
  - ☑ Asigurati-va ca unitatea nu va fi afectata de acumulari de zapada, frunze, etc. Daca este posibil, asigurati un acoperis de protectie.
  - ☑ Locatia instalarii trebuie sa fie bine ventilata si uscata.
  - ☑ Asigurati suficient spatiu liber pentru conectarea cablurilor si conductelor si pentru lucrarile de mentenanta sau reparatie.
- ☑ Nu instalati unitatea daca in zona se pot gasi gaze inflamabile sau substante chimice periculoase.
  - ☑ Conducta de legatura intre unitatea interioara si cea exterioara nu trebuie sa depaseasca lungimea maxima admisa.
  - ☑ Daca este posibil, NU INSTALATI unitatea in lumina directa a soarelui.
  - ☑ Daca este posibil, asigurati-va ca unitatea exterioara va fi montata cat mai departe de vecini, pentru ca zgomotul generat sa nu deranjeze.
  - ☑ Daca locatia este expusa la vant puternic (in apropierea marii), unitatea va fi montata in apropierea unui perete, pentru a fi protejata. Daca este posibil asigurati un acoperis (fig. 5.1&5.2).
  - ☑ Instalati unitatea interioara, exterioara si cablurile la o distanta de cel putin 1m fata de televizoare sau aparate de radio, pentru a evita distorsiunile.
  - ☑ In functie de unde de radio, distanta de 1 m ar putea fi prea mica.

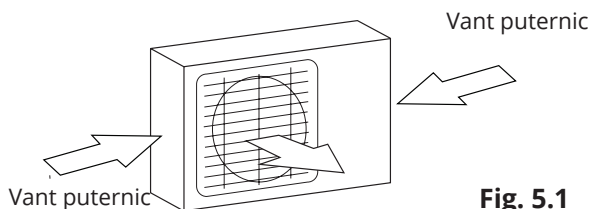


Fig. 5.1

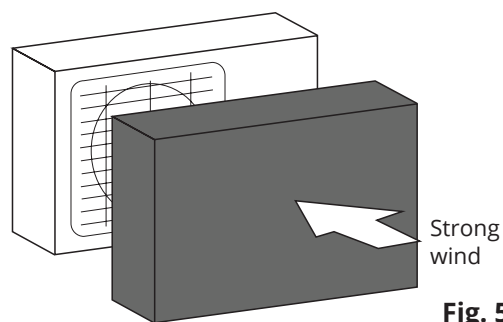


Fig. 5.2

### Pasul 2: Instalati unitatea exterioara

Fixati unitatea exterioara cu suruburi de ancorare (conexpand - M10)

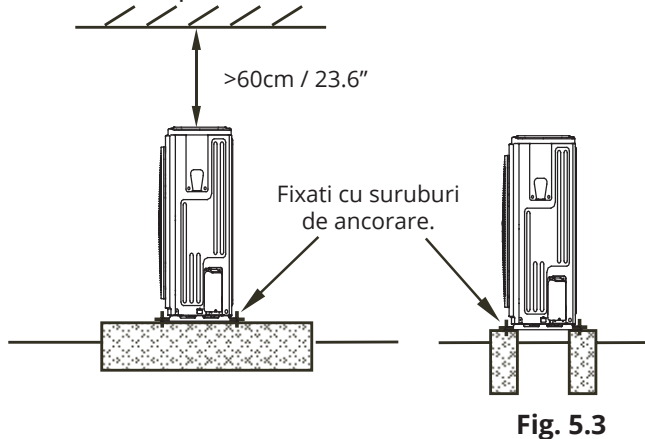


Fig. 5.3

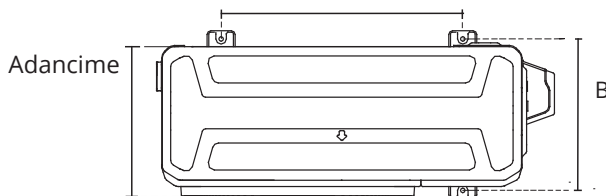
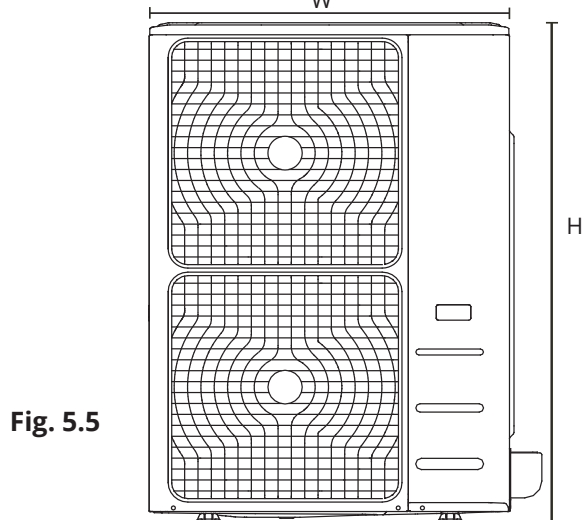
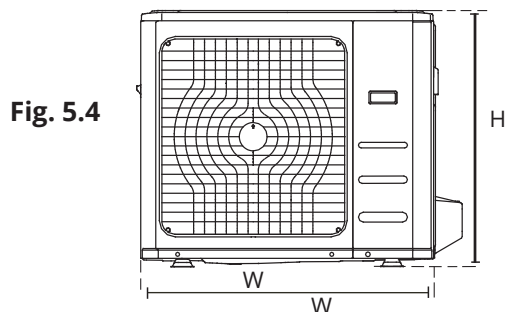


## ATENTIONARE

- Asigurati-va ca ati eliminat orice obstacol care poate bloca circulatia aerului.
- Consultati sectia "DIMENSIUNILE UNITATILOR", pentru a va asigura ca aveti suficient spatiu pentru instalare si lucrarile de mentenanta.

## Unitate exterioara tip SPLIT

(Consultati Fig 5.4,5.5,5.6,5.10 si tabelul 5.1)



**Tabel 5.1: Dimensiunile unitatilor exterioare de tip split (UM: mm/inch)**

Dimensiunile unitatii exterioare LxHxA	Dimensiuni montaj	
	Distanta A	Distanta B
760x590x285 (29.9x23.2x11.2)	530 (20.85)	290 (11.4)
810x558x310 (31.9x22x12.2)	549 (21.6)	325 (12.8)
845x700x320 (33.27x27.5x12.6)	560 (22)	335 (13.2)
900x860x315 (35.4x33.85x12.4)	590 (23.2)	333 (13.1)
945x810x395 (37.2x31.9x15.55)	640 (25.2)	405 (15.95)
990x965x345 (38.98x38x13.58)	624 (24.58)	366 (14.4)
938x1369x392 (36.93x53.9x15.43)	634 (24.96)	404 (15.9)
900x1170x350 (35.4x46x13.8)	590 (23.2)	378 (14.88)
800x554x333 (31.5x21.8x13.1)	514 (20.24)	340 (13.39)
845x702x363 (33.27x27.6x14.3)	540 (21.26)	350 (13.8)
946x810x420 (37.24x31.9x16.53)	673 (26.5)	403 (15.87)
946x810x410 (37.24x31.9x16.14)	673 (26.5)	403 (15.87)
952x1333x410 (37.5x52.5x16.14)	634 (24.96)	404 (15.9)
952x1333x415 (37.5x52.5x16.34)	634 (24.96)	404 (15.9)
890x673x342 (35x26.5x13.46)	663 (26.1)	354 (13.94)



**NOTE:** Distanța minimă între unitate și pereți, nu se va aplica în cazul camerelor etanșe. Asigurați-vă că unitatea va fi neobstrucționată pe cel puțin 2 dintre cele 3 laturi (M, N, P). (Fig. 5.10)

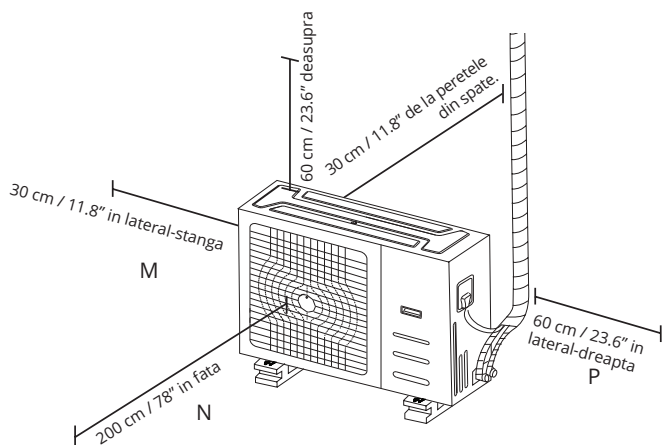


Fig. 5.10

## Seriile de instalare.

**Tabelul 5.3** Relațiile dintre H, A și L, după cum urmează:

	L	A
L ≤ H	L < 1/2H	25 cm / 9.8" sau mai mult
	1/2H < L < H	30 cm / 11.8" sau mai mult
L > H	Nu se poate instala	

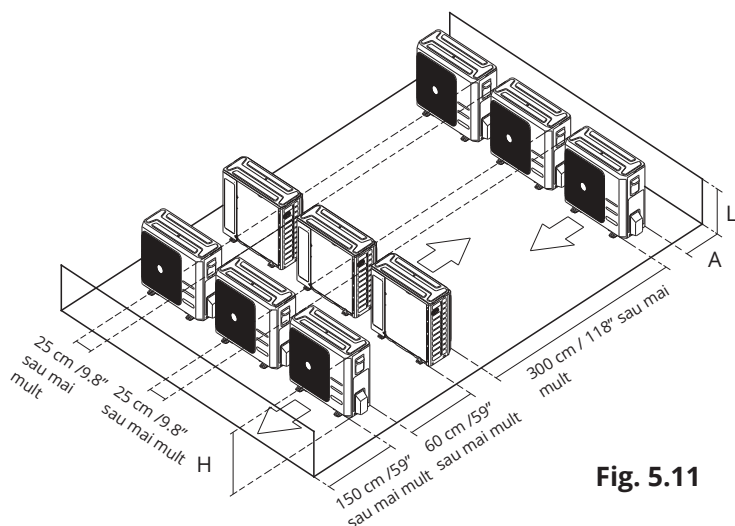


Fig. 5.11

## Instalarea racordului de scurgere

În cazul în care racordul are inclusă garnitura de cauciuc (fig 5.12-A), urmați pașii:

1. Fixați garnitura pe racordul ce va fi conectat la unitatea exterioară.

2. Introduceți racordul de scurgere în orificiul de la baza unității.
3. Rotiți racordul într-un unghi de 90° până se aude un "click".
4. Conectați un furtun de scurgere (nu este inclus în pachet), pentru a elimina apa acumulată în timpul funcționării în modul încălzire.

Dacă racordul de scurgere nu are inclusă o garnitură la baza unității, (Fig 5.12-B), urmați pașii de mai jos:

1. Introduceți racordul de scurgere în orificiul de la baza unității. La cuplare veți auzi un sunet "click".
2. Conectați un furtun de scurgere (nu este inclus în pachet).

**NOTA:** Asigurați-vă că apa scursă nu va cauza defectiuni sau pericol de alunecare.

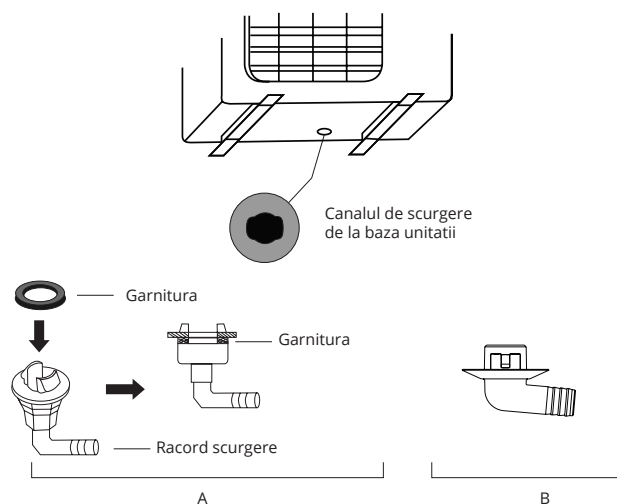


Fig. 5.12

## Note cu privire la strapungerea peretelui.

Strapungeți pereții pentru conducta de agent frigorific și cablurile de semnal ce vor conecta cele 2 unități.

1. Alegeți poziția strapungerii în funcție de locația unității exterioare.
2. Pentru strapungere, folosiți un burghiu de 65mm (2.5in) sau 90mm (3.54in).

**NOTA:** La strapungere, evitați cablurile, instalația sau alte elemente interiorul peretelui.

3. Introduceți un inel de protecție în gaură, pentru a proteja marginile strapungerii și pentru o etansare ușoară la finalizarea instalării.



# Instalarea Conductei De Agent Frigorific

# 6

## Precautii



### AVERTIZARE

- Toate conexiunile trebuie efectuate de catre un tehnician autorizat, aceste conexiuni respectand reglementarile nationale si locale.
- Cand instalati un aparat de aer conditionat intr-o incapere mica, luati toate masurile pentru a evita situatia in care concentratia de agent frigorific depaseste limita de siguranta. In cazul unei scurgeri de agent frigorific si daca nivelul concentratiei este mai mare decat limita, pot aparea pericole cauzate de lipsa de oxigen.
- Atunci cand instalati un traseu frigorific, asigurati-va ca aerul, praful, umiditatea sau alte substante straine nu se vor infiltra in instalatie. Contaminarea traseului poate cauza eficienta scazuta, presiune crescuta in traseul frigorific, explozia unitatii sau ranirea utilizatorului/instalatorului.
- In cazul unei scurgeri de agent frigorific, in timpul instalarii, aerisiti imediat camera. Agentul frigorific este atat inflamabil cat si toxic. Asigurati-va ca nu exista scurgeri inainte de finalizarea instalarii.

## Note cu privire la lungimea conductei si elevatie.

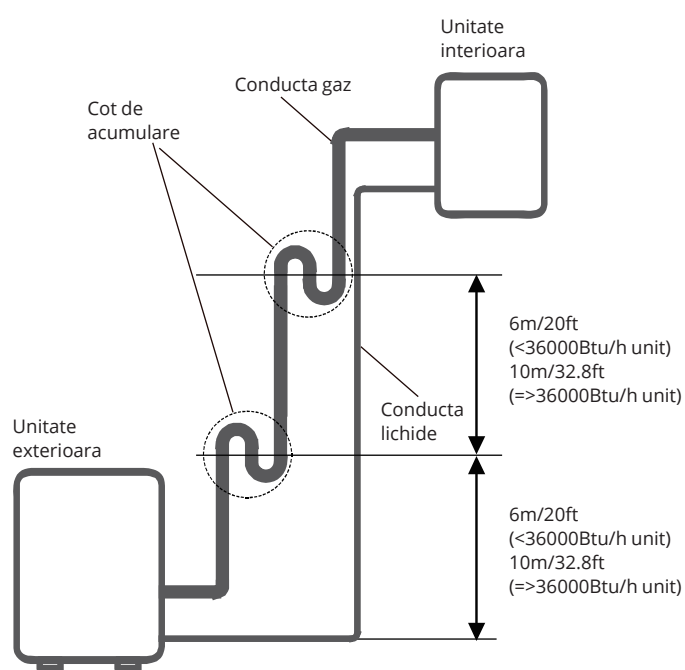
Asigurati-va ca lungimea conductei, numarul de curburi si diferenta de inaltime intre unitati, respecta parametrii inscrisi in tabelul 7.1:

**Tabel 7.1: Lungimea si diferenta de inaltime maxime in functie de model (m/ft)**

Tip aparat	Capacitate (Btu/h)	Lungimea conductei	Diferenta maxima de inaltime
Aparate de tip SPLIT cu conversie a frecventei (America de Nord, Australia, UE)	<15K	25/82	10/32.8
	>15K-<24K	30/98.4	20/65.6
	>24K-<36K	50/164	25/82
	>36K-<60K	65/213	30/98.4
Alte tipuri de aparate split	12K	15/49	8/26
	18K-24K	25/82	15/49
	30K-36K	30/98.4	20/65.6
	42K-60K	50/164	30/98.4

**! ATENTIE**

- Acumulari de ulei
- Scurgerea uleiului inapoi in compresor, poate cauza comprimarea lichidelor sau deteriorarea returului de ulei. Acumularile de ulei pot fi evitate daca se instaleaza coturi in conducta de gaz. Instalati coturi la fiecare 6m (20ft) sau 10m (32.8ft). (Vezi Fig 7.2)



**Fig. 7.2**

## Instructiuni pentru conectarea conductei



### ATENTIONARE

- Conducta de linie trebuie instalata orizontal. Un unghi mai mare de  $10^\circ$  poate duce la defectarea aparatului.
- **NU INSTALATI** conducta inainte de instalarea unitatilor interioare si exterioare.
- zolati atat conducta pentru gaz cat si pe cea pentru lichid, pentru a evita scurgerea apei.

### Pasul 1: Taiati tevile

Cand pregatiti conductele pentru freon, asigurati-va ca veti taia sficient pentru a realiza expansiunea corect. Acest lucru va duce la o functionare eficienta si va minimiza nevoia de mentenanta pe viitor.

1. Masurati distanta intre unitatea interioara si cea exterioara.
2. Folosind un dispozitiv pentru taiat tevi, taiati conducta de o lungime putin mai mare fata de dimensiunea masurata de catre dvs.



### ATENTIE

**NU** deformati conducta in timpul taierii. Acordati atentie sporita procedurii de taiere, pentru a nu deteriora, lovi sau deforma teava in timpul taierii. Aceste modificari pot reduce capacitatea de incalzire a unitatii.

1. Asigurati-va ca unghiul de taiere este de  $90^\circ$ , perfect. Consultati fig. 7.4 pentru exemple de taiere imperfecta.

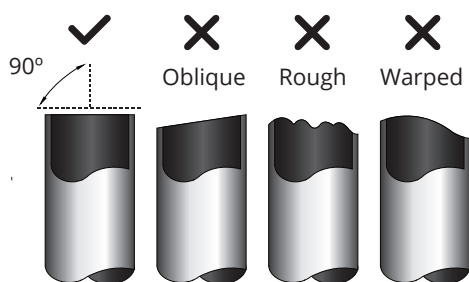


Fig. 7.4

### Pasul 2: Indepartati bavura.

Bavura poate afecta etansarea traseului frigorific. Eliminati in totalitate bavura inainte de a continua.

1. Tineti partea taiata in jos astfel incat bavura sa nu patrunda in conducta.
2. Folosind un alezor, inlaturati bavura in intregime, din interiorul conductei.

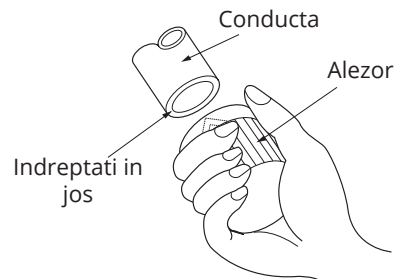


Fig. 7.5

### Step 3: Expansiunea capatului conductei

Expansiunea corecta a capatului este esentiala pentru a obtine o etansare superioara a instalatiei.

1. Dupa ce ati inlaturat bavura, taiati conducta si sigilati cu banda izolanta, pentru a preveni patrunderea materiilor straine in conducta.
2. Izolati conducta cu banda izolanta.
3. Montati piulitele de expansiune la ambele capete ale conductei. Verificati daca piulitele se afla in pozitie corecta, intrucat nu le mai puteti schimba dupa expansiune (fig. 7.6).

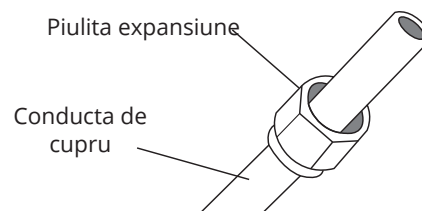


Fig. 7.6

4. Inlaturati banda izolanta de la capetele conductei atunci cand incepeti expansiunea.
5. Fixati dispozitivul de expansiune la capatul conductei. Capaul conductei trebuie sa fie mai sus decat dispozitivul de expansiune.

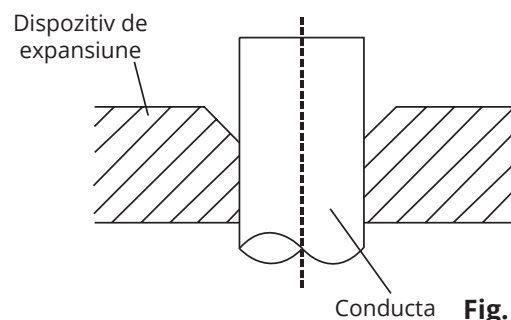


Fig. 7.7

- Montati dispozitivul de expansiune.
- Rotiti manerul dispozitivului pentru expansiune in sensul acelor de ceasornic pana cand expansiunea este completa. Expansiunea trebuie sa respecte dimensiunile din tabelul de mai jos.

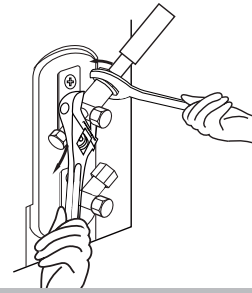


Fig. 7.10

**Tabel 7.3: Extensia conductei dupa forma expansiunii.**

Diametrul conductei	Cuplu de torsiune	Dimensiunea expansiunii (A) (Unitate de masura: mm/inch)		Forma expansiunii
		Min.	Max.	
Ø 6.4	18-20 N.m (183-204 kgf.cm)	8.4/0.33	8.7/0.34	
Ø 9.5	25-26 N.m (255-265 kgf.cm)	13.2/0.52	13.5/0.53	
Ø 12.7	35-36 N.m (357-367 kgf.cm)	16.2/0.64	16.5/0.65	
Ø 15.9	45-47 N.m (459-480 kgf.cm)	19.2/0.76	19.7/0.78	
Ø 19.1	65-67 N.m (663-683 kgf.cm)	23.2/0.91	23.7/0.93	
Ø 22	75-85 N.m (765-867 kgf.cm)	26.4/1.04	26.9/1.06	

Fig. 7.8

- Indepartati dispozitivul de expansiune si inspectati conducta, pentru a va asigura ca nu s-au produs crapaturi sau alte defecte.

#### Pasul 4: Conectarea conductelor

Conectati conductele de cupru la unitatea interioara prima data apoi la unitatea exterioara. Se va conecta conducta de presiune scazuta prima data apoi conducta de presiune crescuta.

- La strangerea piulitei de expansiune, aplicati putin ulei frigorific pe capetele conductei.
- Aliniati perfect centrele celor 2 conducte ce vor fi conectate.

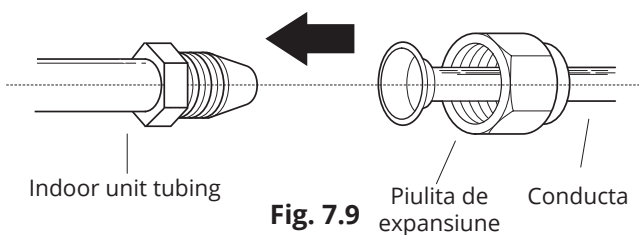


Fig. 7.9

- Strangeti piulita de expansiune cat de tare puteti, cu mana.
- Fixati piulita cu ajutorul unei chei hexagonale fixe.
- Strangeti piulita de expansiune cu ajutorul unei chei de torsiune, respectand valorile cuplului mentionate in tabelul 7.3.

**NOTA:** Atunci cand conectati conductele, folositi atat o cheie fixa hexagonala cat si o cheie de torsiune.

#### ! ATENTIE

- Asigurati-va ca ati infasurat banda izolatoare in jurul conductei. Contactul direct cu teava poate duce la arsuri sau degeraturi.
- Asigurati-va ca teava este conectata corect. Strangerea prea puternica poate deteriora expansiunea iar strangerea prea slaba poate cauza scurgeri.

#### Note cu privire la raza minima de curbare.

Indoiti cu grija conducta, in mijloc, conform imaginii de mai jos. NU INDOITI conducta la un unghi de 90°, de mai mult de 3 ori.

Indoiti teava cu degetul mare

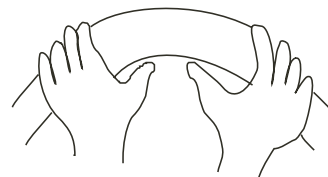


Fig. 7.11

Raza minima 10cm (3.9")

- Dupa conectarea conductelor de cupru la unitatea interioara, fixati cablurile de alimentare, de semnal si conductele cu banda.

**NOTA: NU** intercalati cablul de semnal cu alte cabluri atunci cand le fixati in manunchi.

- Treceti acest manunchi prin perete si conectati-l la unitatea exterioara.
- Izolati toate conductele, incluzand supapele unitatii exterioare.
- Deschideti supapele "stop", ale unitatii exterioare, pentru a putea permite trecerea agentului frigorific prin unitati (interioara si exterioara).

#### ! ATENTIE

La finalizarea instalarii, asigurati-va ca nu exista scurgeri de freon. In cazul unei scurgeri, aerisiti imediat incaperea si eliminati agentul frigorific din instalatie (consultati sectiunea corespunzatoare din acest manual).

## Masuri de siguranta.



### AVERTIZARE

- Intrerupeti alimentarea cu energie electrica inainte de a incepe orice lucrare asupra unitatii.
- Circuitul electric trebuie instalat, respectand legislatia locala si nationala.
- Circuitul electric trebuie instalat de catre un tehnician autorizat. Lucrarile incorecte pot duce la defectarea aparatului, ranirea utilizatorului sau incendii.
- Folositi un circuit si o priza independente pentru acest aparat. Nu conectati un alt aparat electric in aceeasi priza.
- In cazul unui defect la instalatia electrica, sau daca instalatia electrica nu are o capacitate corespunzatoare, aparatul se poate defecta sau poate aparea pericolul declansarii unui incendiu.
- Conectati cablurile la terminalul electric si securizati-le cu o clema. O conexiune nesigura poate produce incendii.
- Verificati corectitudinea executarii instalatiei cablajului si instalarea placii de baza. In cazul unei lucrari necorespunzatoare, poate aparea pericolul de supraincalzire, incendiu si electrocutare.
- Asigurati-va ca alimentarea cu energie electrica este facuta printr-o siguranta la distanta de 3mm.
- NU modificati lungimea cablului de alimentare si nu folositi un prelungitor.



### ATENTIE

- Conectati instalatia electrica a unitatii exterioare si dupa aceea pe cea a unitatii interioare.
- Asigurati-va ca aparatul este impamantat. Cablul de impamantare trebuie tinut departe de conducte de gaz, de apa, paratrasnete, cabluri de telefonie sau alte tipuri de instalatii.
- Impamantarea incorecta poate cauza pericol de electrocutare.
- NU alimentati aparatul pana nu ati terminat lucrarea.
- Asigurati-va ca nu incrucisati cablurile de alimentare cu cele de semnal. Aceasta actiune poate produce distorsiuni si bruiaje.

Urmati instructiunile de mai jos pentru a preveni distorsiuni la pornirea compresorului.

- Aparatul trebuie conectat la priza principala. Impedanta nominala trebuie sa fie la valoarea de 32 ohmi.
- Nu conectati un alt aparat la acelasi circuit electric.
- Informatiile despre alimentarea cu energie electrica sunt afisate pe unitate.

### NOTE CU PRIVIRE LA SPECIFICATIILE SIGURANTEI

Placa de baza a aparatului de aer conditionat are integrata o siguranta de protectie la supratensiune. Specificatiile acestei sigurante sunt mentionate pe placa de baza, astfel:

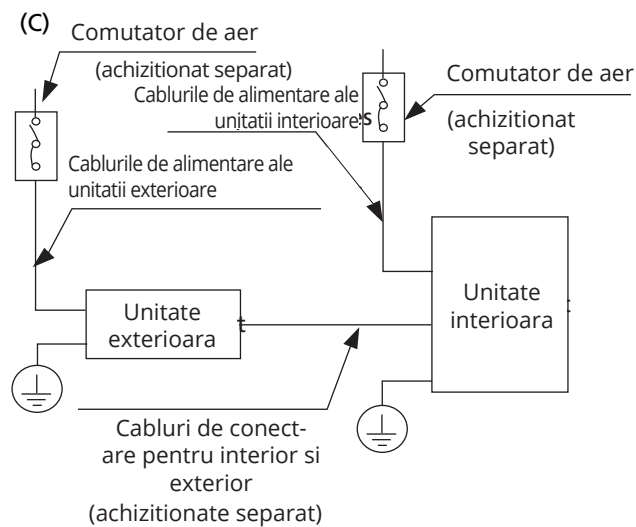
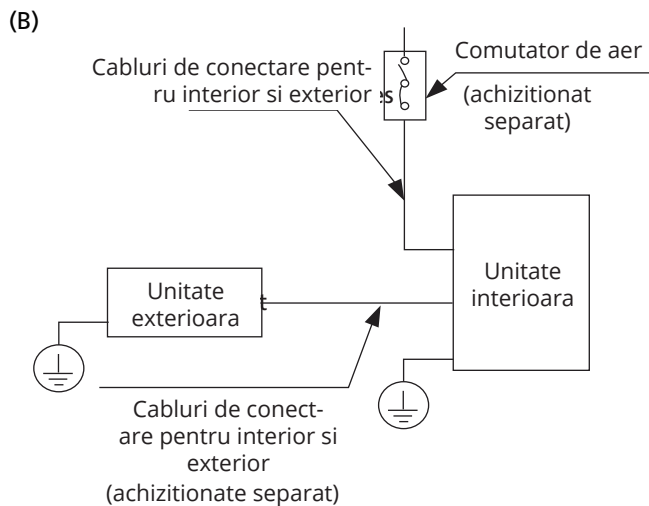
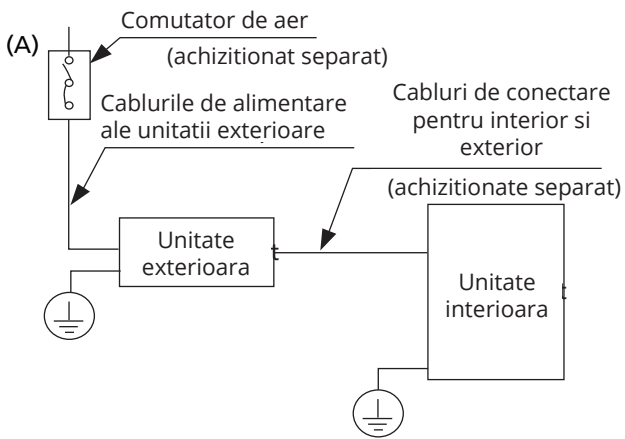
**Unitatea interioara:** T3.15A/250VAC, T5A/250VAC (aplicabil doar aparatelor care folosesc agent frigorific R32).

**Unitatea exterioara:** T20A/250VAC (pentru capacitati <24000 Btu/h), T30A/250VAC (pentru capacitati >24000 Btu/h).

**NOTA:** Siguranta este din material ceramic.

### NOTA PRIVIND COMUTATORUL DE AER

Cand curentul maxim al aparatului de aer conditionat este mai mare de 16A, se va utiliza un comutator de aer sau un comutator de protectie impotriva scurgerilor cu dispozitiv de protectie (achizitionat separat). Cand curentul maxim al aparatului de aer conditionat este mai mic de 16A, cablul de alimentare al aparatului de aer conditionat va fi echipat cu stecher (achizitionat separat). In America de Nord, aplicatia trebuie sa fie conectata conform cerintelor NEC si CEC.



**NOTA:** Graficele au scop explicativ. Aparatul dvs. poate fi ușor diferit. Forma reală va prevala.

## Cablajul unitatii exterioare



### AVERTIZARE

Înainte de a începe orice lucrare la instalația electrică, opriți aparatul.

1. Pregătiți cablurile pentru conectare.

- a. Alegeți dimensiunea corectă pentru cabluri, înainte de a pregătiți conectarea. Folosiți cabluri H07RN-F.

### Sectiunea transversala minima a cablurilor de alimentare si de semnal (pentru referinta)

Amperajul nominal (A)	Suprafata sectiunii. Area (mm <sup>2</sup> )
>3 și ≤6	0.75
>6 și ≤10	1
>10 și ≤16	1.5
>16 și ≤25	2.5
>25 și ≤32	4
>32 și ≤40	6

- b. Folosind clestele, înlăturați camera protectoare la ambele capete ale cablului de semnal, pe o lungime de 15cm.
- c. Fixați papucii conectori cu ajutorul unui clește, la ambele capete ale cablurilor

**NOTA:** Atunci când conectați firele, respectați cu strictețe diagrama disponibilă în interiorul cutiei electrice.

2. Înlăturați capacul unității exterioare. În cazul în care unitatea exterioară nu are capac, scoateți șuruburile plăcii de mentenanță și înlăturați capacul de protecție.

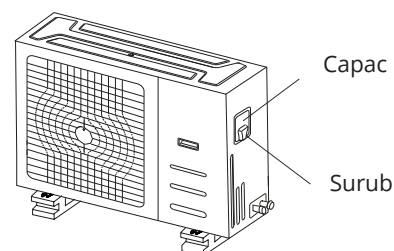
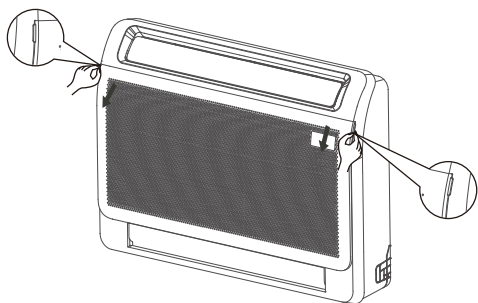


Fig. 8.1

3. Conectati papucii la terminale.  
Asigurati-va ca potriviti culorile/etichetele cablurilor cu cele de pe blocul terminal.
4. Fixati cablul cu o clema speciala pentru cabluri.
5. Izolati firele nefolosite cu banda izolanta. Mentineti aceste fire departe de orice componenta metalica sau electrica.
6. Reinstalati capacul cutiei.

### Instalatiya electrica a unitatii interioare.

1. Pregastiti cablurile pentru conectare.
  - a. Inlaturati camasa de protectie a cablurilor, la ambele capete ale cablului de semnal, pe o lungime de 15cm.
  - b. Fixati papucii conectori cu ajutorul unui cleste, la ambele capete ale cablurilor.
2. Trageti de manerele din stanga si din dreapta panoului frontal, trageti panoul spre exterior si deschideti panoul.



3. Treceti cablurile de alimentare si semnal prin canaletul de cablu.
4. Conectati papucii la terminale.  
Asigurati-va ca potriviti culorile/etichetele cablurilor cu cele de pe blocul terminal. Dupa conectare, fixati papucii cu suruburi.  
Pentru ai multe informatii, puteti consulta diagrama electrica si seria, aflate pe capacul cutiei electrice.

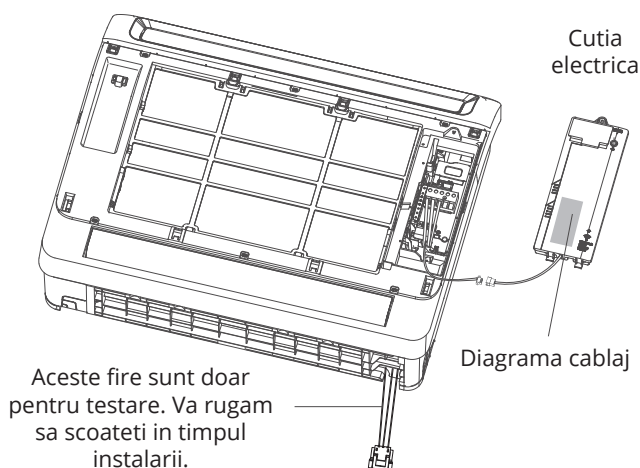


Fig. 8.3

**NOTA:** Cand scoateti cutia de comanda electrica, aveti grija sa slabiti si sa scoateti terminalul.

Inel magnetic (in cazul in care este disponibil pentru modelul dvs.)

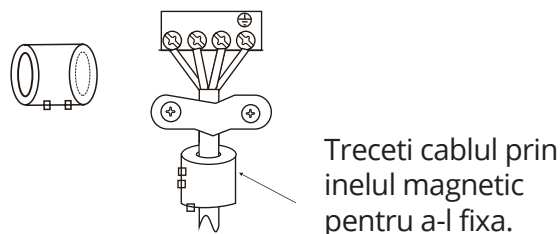


Fig. 8.4





## ATENȚIE

- Respectați diagrama atunci când conectați cablurile.
- Traseul frigorific se poate încălzi în timpul funcționării. Mențineți cablurile departe de conducta de cupru.

5. Fixați cablurile cu o clema. Cablul trebuie să fie fix, pentru a nu mișca papucii conectori.

6. Montați capacul cutiei și panoul frontal al unității interioare.

## Specificații electrice

**NOTA:** Pentru o siguranță auxiliară de încălzire, adăugați 10A.

### Alimentarea internă cu energie electrică

MODEL(Btu/h)		≤16K	16K~18K
PUTERE	FAZA	1 Faza	1 Faza
	FRECVENȚA ȘI VOLTAJ	220-240V~, 50Hz/60Hz	220-240V~, 50-60Hz/60Hz
SIGURANȚA (A)		20/16	20/16
DIMENSIUNI CABLAJ DE ALIMENTARE - UNITATE INTERIOARA (mm <sup>2</sup> )		-----	-----
DIMENSIUNI CABLAJ DE ALIMENTARE - UNITATE INTERIOARA/ EXTERIOARA (mm <sup>2</sup> )	DIMENSIUNI CABLAJ DE ALIMENTARE - UNITATE EXTERIOARA	3x1.5	3x2.5
	SEMNAL ELECTRIC PUT-ERNIC	4x1.0	4x1.0
	SEMNAL ELECTRIC SLAB	-----	-----
	IMPAMANTARE	1.5	2.5

# Eliminarea aerului din instalatie

# 8

## Precautii

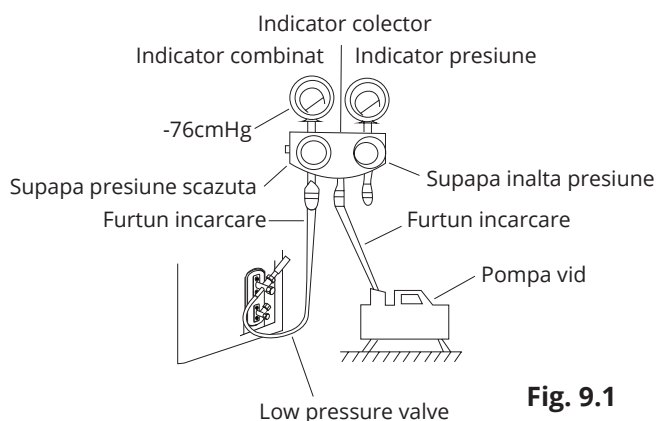


### ATENȚIE

- Folositi o pompa de vid cu o capacitate de  $-0.1\text{MPa}$  si capacitatea de evacuare a aerului peste  $40\text{L/min}$ .
- Unitatea exterioara nu trebuie vidata. NU DESCHIDETI supapele de gaz si lichid.
- Asigurati-va ca indicatorul afiseaza o valoare de maxim  $-0.1\text{MPa}$  dupa 2 ore. Dupa 3 ore de functionare, valoarea afisata este de peste  $-0.1\text{MPa}$ , verificati daca exista o scurgere de gaz sau apa in conducta. Daca nu exista scurgeri, faceti o alta vidare timp de 1-2 ore.
- NU folositi agent frigorific la vidarea sistemului.

## Instructiuni pentru vidarea instalatiei

Inainte de folosirea unei pompe de vid cu colector, cititi manualul de utilizare pentru a va familiariza cu acest echipament.

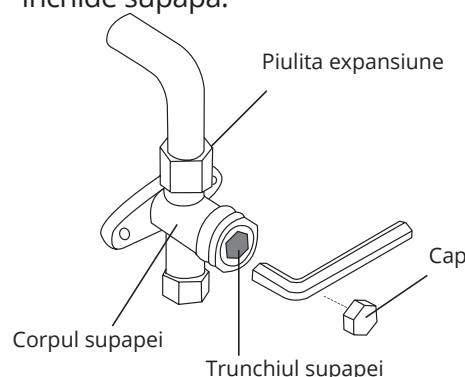


1. Conectati furtunul de incarcare al colectorului la supapa de presiune scazuta a unitatii exterioare.
2. Conectati un alt furtun de incarcare de la indicatorul colectorului, la pompa de vid.
3. Deschideti supapa de presiune scazuta a colectorului si mentineti supapa de presiune ridicata inchisa.

4. Porniti pompa de vid pentru a etansa sistemul.
5. Mentineti pompa de vid cel puțin 15 minute sau pana indicatorul combinat afiseaza  $-76\text{cmHg}(-1\times 10^5\text{Pa})$
6. Inchideti supapa de presiune scazuta a colectorului si opriti pompa.
7. Asteptati 5 minute si apoi verificati daca exista schimbari in presiunea sistemului.

**NOTA:** Daca nu exista schimbari in presiunea sistemului, desurubati capacul supapei de presiune ridicata. Schimbarea presiunii sistemului poate indica o scurgere de gaz.

8. Deschideti supapa de inalta presiune cu ajutorul unei chei hexagonale (imbus), intorcand in sensul acelor de ceasornic,  $1/4$  dintr-o miscare completa. Veti auzi cum gazul este evacuat din sistem. Dupa 5 secunde puteti inchide supapa.



9. Urmariti indicatorul de presiune pentru 1 minut, pentru a va asigura ca nu apar schimbari. Indicatorul va afisa o valoare usor mai mare decat presiunea atmosferica.
10. Inlaturati furtunul de incarcare de la supapa de service.
11. Folosind cheia fixa hexagonala, deschideti complet atat supapa de inalta presiune cat si pe cea de presiune scazuta.

## DESCHIDETI SUPAPELE CU GRIJA

Atunci cand deschideti supapele, intoarceti cheia fixa hexagonala pana cand ajunge la opritor. NU FORTATI deschiderea suplimentara a supapei.

12. Strangeti capacele supapelor cu mana si apoi cu o unealta corespunzatoare.

## Note cu privire la adaugarea agentului frigorific



### ATENTIE

- Incarcarea cu agent frigorific trebuie facuta doar dupa finalizarea lucrarilor la instalatia electrica, etansare si dupa testul de scurgere.
- **NU** depasiti cantitatea maxima permisa de agent frigorific. Supraincercarea cu freon poate duce la defectarea aparatului.
- Incarcarea instalatiei cu substante necorespunzatoare poate produce explozii sau alte accidente. Asigurati-va ca folositi agentul frigorific corect.
- Containerele cu freon trebuie deschise cu grija. Folositi echipament de protectie atunci cand incarcati sistemul
- **Nu** amestecati agenti frigorifici diferiti
- Pentru freon R290 sau R32, asigurati conditii corespunzatoare pentru utilizarea materialelor inflamabile in incapere.

Anumite sisteme vor necesita adaugarea de freon, in functie de lungimea conductelor. Lungimea standard a conductelor variaza in functie de legile si normele locale. De exemplu, lungimea standard pentru America de Nord este de 7.5m(25'). In alte zone, lungimea standard este de 5m (16'). Cantitatea aditionala de freon se va adauga, calculand formulele de mai jos:

#### Diametrul conductei penru lichid.

	$\phi 6.35(1/4")$	$\phi 9.52(3/8")$	$\phi 12.7(1/2")$
<b>R32:</b>	(Total pipe length - standard pipe length)x 12g(0.13oz)/m(ft)	(Total pipe length - standard pipe length)x 24g(0.26oz)/m(ft)	(Total pipe length - standard pipe length)x 40g(0.42oz)/m(ft)

## Inainte de inceperea testului

O testare a functionarii aparatului va trebui facuta dupa finalizarea instalarii. Inainte de inceperea testarii, verificati urmatoarele aspecte:

- a. Atat unitatea interioara cat si cea exterioara au fost montate corect.
- b. Tubulatura si cablajul sunt conectate corect.
- c. Asigurati-va ca prizele de admisie/evacuare aer nu sunt obstructionate. In cazul in care sunt blocate, eficienta aparatului va fi scazuta si se pot produce defectiuni.
- d. Traseul frigorific nu are scurgeri.
- e. Sistemul de scurgere nu este blocat si scurgerea se face intr-o zona sigura.
- f. Izolatia termica este instalata corect.
- g. Firele de impaantare sunt corect conectate.
- h. Lungimea traseului si cantitatea de freon au fost inregistrate.
- j) Tensiunea retelei electrice corespunde cu cerintele aparatului.



## ATENTIE

Lipsa testarii poate duce la defectarea aparatului, pagube materiale sau ranirea utilizatorului.

## Instructiuni

1. Deschideti supapele pentru lichid si gaz.
2. Porniti aparatul si permiteti unitatii sa se incalzeasca.
3. Treceti aparatul in modul COOL.
4. Pentru unitatea interioara :
  - a. Asigurati-va ca butoanele telecomenzii functioneaza corect.
  - b. Asigurati-va ca flapsurile functioneaza corect si ca le puteti schimba pozitia cu ajutorul telecomenzii.
  - c. Verificati daca temperatura incaperii este inregistrata corect.
  - d. Verificati daca indicatorii de pe telecomanda si de pe panoul unitatii interioare functioneaza.
  - e. Verificati daca butoanele aflate pe unitatea interioara functioneaza corect.

- f. Verificati daca traseul de scurgere este blocat si daca scurgerea se face corect.
- g. Verificati daca exista vibratii sau zgomote anormale in timpul functionarii.

### 5. Pentru unitatea exterioara

- a. Verificati daca traseul frigorific are scurgeri
- b. Verificati daca exista vibratii sau zgomote anormale in timpul functionarii.
- c. Verificati daca vantul, zgomotul sau apa produsa de unitate pot afecta si pot deranja vecinii.

### 6. Testul de scurgere

- a. Asigurati-va ca traseul de scurgere este corect. Cladirile nou construite vor trebuie sa faca aceasta testare dupa terminarea lucrarilor la tavan.
- b. Inlaturati capacul pentru teste. Adaugati 2000l de apa in rezervor cu ajutorul tubului atasat.
- c. Porniti aparatul si treceti-l in modul COOL.
- d. Fiti atent la zgomotul generat de pompa de scurgere, pentru a detecta anumite zgomote neobisnuite.
- e. Verificati daca apa a fost scursa in totalitate. Poate trece pana la 1 minut pana cand pompa incepe sa dreneze apa.
- f. Asigurati-va ca nu exista scurgeri.
- g. Opriti aparatul, opriti alimentarea centrala si reatasati capacul pentru teste.

**NOTA:** Daca aparatul nu functioneaza corect sau se defecteaza, consultati capitolul "DEPANARE" din manualul utilizatorului inainte de a suna departamentul de service.

## Directivele europene pentru eliminarea deseului

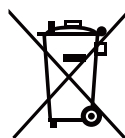
10

Utilizatorii din tarile europene pot fi obligati sa elimine acest produs in anumite conditii. Acest aparat contine agent frigorific si alte materiale nocive. Legea impune colectarea si tratamentul special al acestui tip de deșeu. **NU ARUNCATI** acest aparat impreuna cu deseul municipal.

La eliminarea acestui aparat, respectati urmatoarele aspecte:

- Lasati acest aparat intr-o unitate speciala de colectare a deșeurilor electronice.
- La cumpararea unui aparat nou, vanzatorul va poate ridica gratuit echipamentul vechi.
- Producatorul va poate ridica produsul vechi gratuit.
- Puteti vinde aparatul catre firmele care se ocupa cu colectarea fierului vechi.

**NOTA:** Aruncarea acestui aparat in padure sau alte locuri din natura, dauneaza mediului inconjurator. Substantele nocive pot ajunge in panza freatica si in alimente.



## Informare cu privire la service.

(Valabil doar pentru unitatile care utilizeaza freon R32/R290)

### 1. Verificati zona

Inainte de a incepe lucrari la sistemele ce contin agenti frigorifici inflamabili, efectuati verificari ale mediului inconjurator pentru a elimina posibilitatea aparitiei unei scantei.

### 2. Procedura

Lucrarile vor fi facute intr-un mediu controlat, pentru a minimiza riscul aprinderii gazelor sau vaporilor inflamabili.

### 3. Zona de lucru

Toti participantii la lucrare si ceilalti angajati care sunt prezenti in zona lucrarii, vor fi informati despre natura reparatiilor. Zona in care se fac lucrarile va fi delimitata. Asigurati-va ca mediul de lucru din acea incapere va permite lucrul cu materiale inflamabile.

### 4. Verificati daca exista scurgeri de freon

Verificati cu un detector de freon, daca exista gaz in incapere. Folositi echipamentul de detectare a scurgerilor inainte de a incepe lucrarea. Asigurati-va ca echipamentul de detectare a scurgerilor este perfect functional (nu emite scantei, este sigilat, etc.).

### 5. Disponibilitatea unui extingtor

Asigurati disponibilitatea unui extingtor cu pudra uscata sau CO2 in incaperea unde se executa lucrarile.

### 6. Eliminati sursele de scanteie

In timpul lucrarilor la traseele frigorifice, ce presupun expunerea conductelor, este interzisa folosirea oricarui produs ce poate genera scanteie. Toate sursele de scanteie, incluzand fumatul, vor fi mentinute departe de locul lucrarii. Semnalizati locul lucrarii cu panouri prin care se interzice fumatul : "FUMATUL INTERZIS"

### 7. Aerisiti incaperea

Inainte de a incepe, asigurati-va ca incaperea in care se vor face lucrarile, este bine ventilata. Mentineti ventilatia incaperii pe toata durata lucrarilor. Acest lucru va ajuta la eliminarea freonului in caz de scurgeri.

### 8. Verificari ale traseului frigorific

Asigurati-va ca, in cazul in care schimbati piese componente, acestea corespund specificatiilor impuse. Informatiile despre service si instructiunile producatorului vor fi respectate tot timpul. Daca aveti indoieli cu privire la lucrare, contactati departamentul de service al producatorului. Urmatoarele verificari sunt necesare pentru toate instalatiile care utilizeaza agenti frigorifici inflamabili:

- Cantitatea de freon incarcata, corespunde cu dimensiunea incaperii in care este instalat aparatul.
- Prizele de ventilare/evacuare a aerului nu sunt obstructionate.
- Daca folositi un un traseu frigorific, toate celelalte circuite si trasee vor fi verificate pentru a determina prezenta freonului. Informatiile inscrise pe echipament vor fi vizibile si lizibile.

- Marcajele si semnele care nu pot fi citite, vor fi corectate.
- Verificati daca traseul frigorific si celelalte componente sunt instalate intr-o locatie in care este putin probabil ca acestea sa intre in contact cu substante corozive. Se face exceptie de la aceasta regula daca acele componente sunt construite din materiale rezistente la substante corozive.

## 9. Verificari ale dispozitivelor electrice

Reparatiile si lucrarile de mentenanta executate asupra componentelor electrice vor include verificari initiale cu privire la siguranta si inspectia componentelor. In cazul existentei unei situatii care poate compromite siguranta, nici un circuit electric nu va fi conectat la reseaua electrica pana ce defectul nu este remediat. Daca remedierea nu poate fi facuta imediat dar totusi continuarea lucrarii este necesara, folositi o alta metoda, temporara, potrivita situatiei. Transmiteti informatia proprietarului pentru ca toate partile sa fie in cunostiinta de cauza.

Verificarile initiale includ:

- Descarcarea capacitorilor: aceasta lucrare se va face cu evitarea oricarei situatii care poate produce o scanteie.
- Nici un component electric nu va fi alimentat si expus in timpul lucrarilor de incarcare, recuperare sau eliminare a agentului frigorific.
- Impamantarea este legata.

## 10. Reparatii asupra componentelor sigilate

10.1 In cazul lucrarilor asupra componentelor sigilate, aparatul va fi oprit si scos din priza, inainte de inceperea lucrarilor sau inlaturarea oricarui capac. In cazul in care este neaparat necesara conectarea componentelor, instalati un echipament de detectare a scurgerilor.

10.2 Lucrati cu atentie, pentru a evita deteriorarea carcaselor componentelor altfel nivelul de protectie poate scadea. De atentie sporita este nevoie si atunci cand lucrati la instalatia electrica (deteriorarea cablurilor, un numar prea mare de conexiuni, conexiunile terminale nu resecta paraetree, etc.)

- Asigurati-va ca aparatul este montat corect.
- Verificati materialele cu ajutorul carora ati sigilat traseele, pentru a va asigura ca nu sunt degradate. Piese de schimb vor corespunde specificatiilor producatorului.

**NOTA:** Eficienta in detectarea scurgerilor poate scadea in cazul utilizarii siliconului pentru sigilare. Componentele sigure, nu trebuie izolate inainte de a incepe lucrarea asupra lor.

## 11. Repararea componentelor sigure

Nu depasiti limitele superioare ale tensiunii si intensitatii, permise de catre aparat.

Componentele sigure ale aparatului, sunt singurele componente pe care se poate lucra in timp ce sunt alimentate cu energie electrica, in prezenta materialelor inflamabile.

In caz de inlocuire a unei piese, aceasta va fi inlocuita doar cu o piesa originala, specificata de catre producator. Folosirea altor piese decat cele recomandate de producator, pot produce scantei la momentul unei scurgeri de freon.

## 12. Cablarea

Verificati cablarea pentru a va asigura ca nu este deteriorata si ca nu exista margini ascutite in apropiere. Cand verificati, luati in considerare si "imbatranirea cablurilor" sau vibratia continua provocata de compresor si ventilatoare.

## 13. Detectia agentilor frigorifici inflamabili

Nu folositi sub nici o forma surse de scantei, atunci cand verificati scurgerile de freon. De asemenea, nu trebuie folosit nici un aparat cu flama deschisa in acea incapere.



#### 14. Metode de detectare a scurgerilor

Metodele descrise mai jos sunt acceptate pentru sistemele ce contin agenti frigorifici inflamabili. Detectia electronica a scurgerilor poate fi folosita pentru a detecta scurgerile de freon inflamabil dar eficienta poate fi scazuta si recalibrarea este recomandata (recalibrarea va fi facuta intr-o incalzire in care nu exista agenti frigorifici). Asigurati-va ca detectorul in sine nu este o sursa de scanteie si ca este potrivit pentru detectia agentilor frigorifici inflamabili. Echipamentului ii va fi setat un procentaj minim de detectie si va fi calibrat in functie de tipul agentului frigorific si concentratia de gaz (maxim 25%).

Lichidele pentru detectie pot fi folosite cu toate tipurile de agenti frigorifici. Nu folositi detergenti ce contin clor deoarece acesta ar putea reactiona impreuna cu freonul si pot coroda conductele de cupru.

Daca suspectati prezenta unei scurgeri, eliminati toate flacarile deschise. Daca descoperiti o fisura ce necesita lipire, recuperati tot freonul din sistem. Pentru purjarea sistemului, folositi azot fara oxygen (OFN), pe toata durata procesului de lipire.

#### 15. Inlaturarea si evacuarea

Cand accesati un traseu frigorific, se recomanda respectarea instructiunilor de mai jos:

- eliminati agentul frigorific
- purjati intreg sistem cu un gaz inert.
- Eliminati aerul
- Repetati procesul de purjare.
- Deschideti circuitul prin taiere.

Freonul va fi recuperat in containere corespunzatoare. Sistemul va fi purjat cu OFN pentru siguranta aparatului. In functie de necesitati, puteti repeta procesul.

Nu folositi aer comprimat sau oxigen pentru purjare.

Eliminarea freonului se face prin pomparea de OFN in sistem pana cand se atinge presiunea sistemului, apoi evacand intregul sistem si folosind pompa de vid. Repetati acest proces pana cand eliminati intreaga cantitate de freon.

La ultima incarcare cu OFN, sistemul trebuie ventilat si depresurizat pana la presiunea normala atmosferica. Aceasta operatiune este vitala daca urmeaza sa faceti lucrari de lipire a conductelor.

Asigurati-va ca evacuarea pompei de facuum nu se afla in apropierea unei surse de scanteie.

#### 16. Procedura de incarcare

Pe langa procedura normala de incarcare cu agent frigorific, respectati urmatoarele instructiuni:

- Asigurati-va ca agentul frigorific nu va fi contaminat cu alte substante, atunci cand folositi echipamentul de incarcare. Furtunul sau conductele de alimentare trebuie sa fie cat mai scurte.
- Recipientele vor fi mentinute in pozitie verticala.
- Asigurati-va ca traseul frigorific este impamantat.
- Dupa incarcare, etichetati sistemul.
- Nu incarcati peste limita acceptata.
- Inainte de incarcare, testati sistemul cu OFN, pentru a descoperii eventualele scurgeri.

#### 17. Scoaterea din utilizare a aparatului

Inainte de a incepe aceasta lucrare, este esential ca tehnicianul sa se familiarizeze cu aparatul. Este recomandat sa recuperati intreaga cantitate de agent frigorific. Inainte de a incepe lucrarea, prelevati esantioane din ulei si din agentul frigorific.

Inainte de a incepe recoltarea agentului frigorific, asigurati-va ca este disponibila alimentarea cu energie electrica.

a) Familiarizati-va cu aparatul si modul de functionare.

- b) izolati electric sistemul
- c) Inainte de a incepe procedura faceti urmatoarele verificari :
  - Aveti disponibil intregul echipament necesar.
  - Aveti disponibil intregul echipament de protectie necesar si ca este folosit corect.
  - Procesul de recuperare a freonului este supravegheat in permanenta de catre personal calificat.
  - Echipamentul pentru recuperare si cilindrii de depozitare sunt conforme cu standardele.
- d) Pompati freonul, daca este posibil.
- e) Daca vidarea nu este posibila, folositi colectorul pentru a recupera agentul frigorific din intreaga instalatie.
- f) Asigurati-va ca cilindrii de depozitare se afla pe cantar inainte de recuperare.
- g) Operati echipamentul pentru recuperare respectand instructiunile producatorului.
- h) Nu supraincarcati cilindrii de depozitare. (volumul lichid nu trebuie sa depaseasca 80%).
- i) Nu depasiti limita superioara a presiunii in cilindru.
- j) Cand recipientele au fost umplute si lucrarea a fost terminata, inlaturati-le imediat din incapere si inchideti corect toate supapele.
- k) Nu utilizati agentul frigorific recuperat in alta instalatie decat dupa ce acesta a fost verificat si purificat.

## 18. Etichetarea

O data ce ati scos din functie aparatul, asigurati-va ca acesta este etichetat corespunzator. Etichetele trebuie sa contina tipul de agent frigorific continut.

## 19. Recuperarea

- Atunci cand eliminati freonul dintr-un sistem, pentru service sau scoaterea din folosire, este recomandat sa respectati normele.
- Cand transferati freonul in recipiente, asigurati-va ca doar cilindrele sunt cele potrivite. Asigurati-va ca aveti disponibile suficiente recipiente pentru intreaga cantitate de freon. Cilindrii vor fi echipati cu supape de presiune si supape de inchidere.
- Recipientele vor fi goale si racite inainte de recuperare.
- Echipamentul folosit pentru recuperare este functional, are instructiuni disponibile si este potrivit pentru respectiva lucrare. De asemenea, trebuie sa veti disponibil un cantar calibrat si functional.
- Furtunul pentru transfer trebuie sa fie in stare perfecta, cu protectie la scurgere. Inainte de inceperea recuperarii, asigurati-va ca toate componentele electrice sunt izolate pentru a preveni aparitia scanteilor in cazul unei scurgeri de freon.
- Freonul recuperat trebuie returnat distribuitorului in recipientele corespunzatoare, etichetate corect. Nu amestecati agentii frigorifici!
- In cazul in care trebuie sa inlaturati compresorul sau uleiul pentru compresor, asigurati-va ca ati eliminat intreaga cantitate de freon inainte de returnarea catre producator. Pentru a accelera procesul, puteti folosi DOAR incalzirea electrica.

## 20. Transportul, etichetarea si depozitarea aparatelor

1. Transportul echipamentelor care contin materiale inflamabile trebuie sa respecte normele si legile in vigoare.
2. Semnalizarea echipamentelor se va face prin marcaje si etichete ce respecta normele si legile in vigoare.
3. Eliminarea deseurilor se va face respectand legile in vigoare.
4. Depozitarea echipamentelor va respecta instructiunile producatorului.
5. Depozitarea produselor in ambalaj original (nevandute), se va face astfel incat, orice deteriorare mecanica nu va produce scurgeri de freon. Numarul maxim de unitati depozitate va respecta normele locale.

---

Toate imaginile din acest manual, au scop pur informativ. Forma reala a produsului pe care l-ati cumparat poate fi usor diferita insa functiile si operatiile sunt aceleasi.

Compania nu isi asuma nici o responsabilitate pentru greselile de tipar. Aspectul fizic si specificatiile tehnice se pot schimba fara o notificare prealabila datorita imbunatatirii continue a echipamentelor noastre.

Pentru mai multe detalii, va rugam sa contactati producatorul la numarul de telefon : +30 211 300 3300, sau vanzatorul echipamentului. Toate actualizarile acestui manual vor fi disponibile pe website-ul nostru si va recomandam sa verificati intotdeauna pentru aparitia unei noi versiuni.

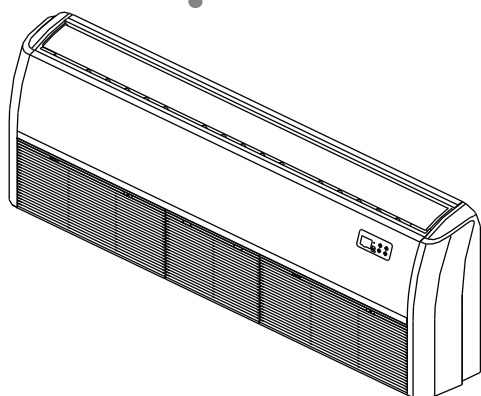
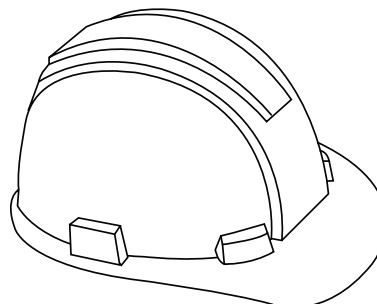


Scanati codul QR pentru a descarca ultima versiune a manualului.  
[www.inventoraerconditionat.ro/biblioteca-media](http://www.inventoraerconditionat.ro/biblioteca-media)

# Inhalt

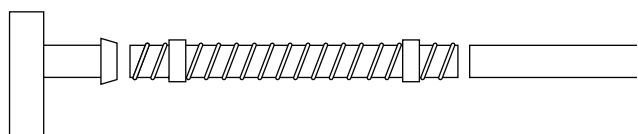
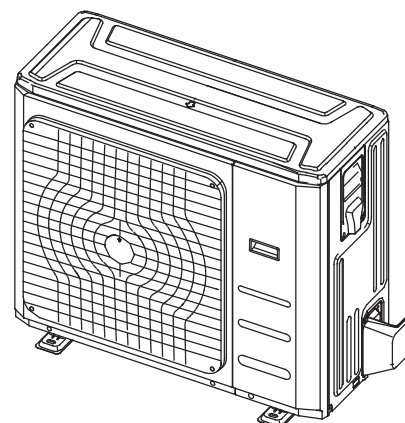
## Installationshandbuch

<b>1</b>	Bauteile .....	04
<b>2</b>	Sicherheitsvorkehrungen.....	06
<b>3</b>	Überblick der Installation.....	12



<b>4</b>	Installation der Inneneinheit .....	13
	a. Teile der Inneneinheit .....	13
	b. Installationsanleitung Inneneinheit.....	14

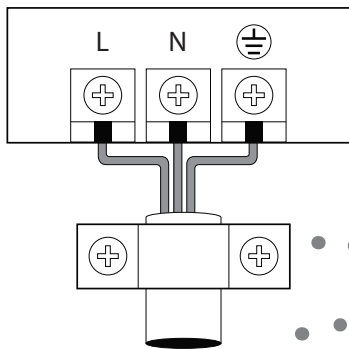
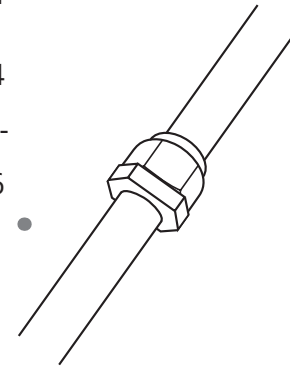
<b>5</b>	Installation der Außeneinheit.....	21
	a. Installationsanleitung Außeneinheit.....	21
	b. Montage des Abfluss-Verbindungsstücks.....	23
	c. Hinweise zur Lochbohrung in Wänden .....	23



**6** Anschlüsse der Kühlmittelrohrleitungen .....24

    a. Hinweise zu Länge und Höhe der Rohre ..... 24

    b. Anweisungen zum Anschließen von Kühlmittelrohrleitungen .....26



**7** Verkabelung.....28

    a. Verkabelung Außeneinheit.....29

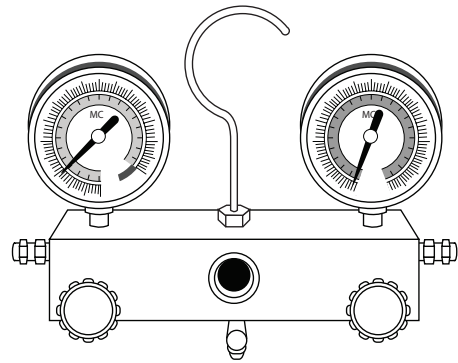
    b. Verkabelung Inneneinheit .....30

    c. Stromnetzspezifikationen .....31

**8** Entlüftung .....32

    a. Sicherheitsvorkehrungen.....32

    b. Hinweis zum Kühlmittelzusatz.....33



Vorsicht: Brandgefahr (Kühlmittel R32/R290)

**9** Testbetrieb..... 34


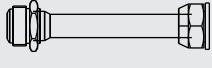
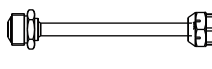
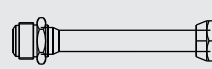

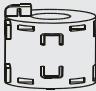
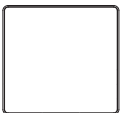
**10** Europäische Richtlinien bezüglich der Entsorgung des Produkts ..... 35


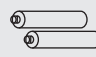
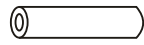
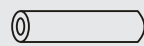







**11** Reparaturhinweise..... 36

# Bauteile

# 1

Die Klimaanlage verfügt über unten aufgeführte Bauteile. Benutzen Sie alle Teile und Bauteile der Anlage um die Klimaanlage zu installieren. Eine eventuell fehlerhafte Installation kann zu einem Wasserauslauf, Stromschlag und Brand oder Zerstörung des Geräts führen.

Name	Anzahl	Form
Installationshandbuch	2~4	
Übergabestecker (ΦΦ12.7-ΦΦ15.9) (einige Modelle)	1	
Übergabestecker (ΦΦ6.35-ΦΦ9.52) (einige Modelle)	1	
Übergabestecker (ΦΦ9.52-ΦΦ12.7) (einige Modelle)	1	
Magnetring (zur zweifachen Umhüllung der Kabel S1 & S2 ( P & Q & E ) um den Magnetring)	1	 S1&S2(P&Q&E)
Magnetring (nach der Installation am Verbindungskabel zwischen Inneneinheit und Außeneinheit einhängen)	1	
Kabelgebundene Fernbedienung (einige Modelle)	1	

Name	Anzahl	Form
Fernbedienung	1	
Batterie AAA	2	
Schalldämmende / isolierende Ummantelung (einige Modelle)	2	
Wärmedämmendes Rohr	1	
Oupa	6 Variiert je nach Modell	
Befestigungsschraube für die Montageplatte	6 Variiert je nach Modell	
Entleerungsstutzen (einige Modelle)	1	
Dichtungsring	1	
Rakor	2	
Rotes Kabel (einige Modelle)	1	
Luftfilter (einige Modelle)	2	

## Optionales Zubehör

- Es gibt zwei Arten von Fernbedienungen: kabelgebundene und kabellose. Wählen Sie eine Fernbedienung nach den Wünschen und Anforderungen des Kunden aus und installieren Sie sie an einem geeigneten Ort. In Katalogen und technischer Literatur finden Sie Hinweise zur Auswahl einer geeigneten Fernbedienung.

Name	Form		Anzahl (PC)
Verbindungsrohr- montage	Flüssigkeitsseite	Φ 6.35(1/4in)	Diese Teile müssen Sie separat erwerben. Erkundigen Sie sich bei Ihrem Händler nach der richtigen Rohrgröße für das von Ihnen gekaufte Gerät
		Φ 9.52(3/8in)	
		Φ 12.7(1/2in)	
	Gasseite	Φ 9.52(3/8in)	
		Φ 12.7(1/2in)	
		Φ 16(5/8in)	
		Φ 19(3/4in)	
		Φ 22(7/8in)	



# Sicherheitshinweise

# 2

**Vor Beginn der Installationsarbeiten, bitte die Sicherheitsvorkehrungen lesen**

**Eine unsachgemäße Installation, die auf nicht Kenntnisnahme der Anleitung zurückzuführen ist, kann ernsthafte Schäden oder Verletzungen verursachen.**

Die Schwere des eventuellen Schadens oder der Verletzung wird als WARNUNG oder VORSICHT angegeben.



**WARNUNG**

Nichtbeachtung kann zum Tod führen. Das Gerät muss gemäß den nationalen Vorschriften installiert werden.



**VORSICHT**

Die Nichtbeachtung kann eine Verletzung oder einen Schaden des Geräts zur Folge haben.



Dieses Symbol zeigt an, dass Sie die angegebene Aktion niemals ausführen sollten.



**WARNUNG**

1. Vor Beginn der Installationsarbeiten, bitte sorgfältig die Sicherheitsvorkehrungen lesen.
2. In manchen Betriebsumfeldern, wie Küchen, Rechenzentren (server) usw., wird die Nutzung von speziell ausgelegten Klimaanlage empfohlen.
3. Nur ausgebildete und qualifizierte Fachmänner dürfen an dieser Klimaanlage Installations- und Reparaturarbeiten durchführen.
4. Eine eventuell unsachgemäße Installation kann zu einem Stromschlag, Kurzschluss, Ausfluss, Brand oder einer Störung am Gerät oder zu anderen Materialschäden führen. (In Nordamerika darf die Installation gemäß den Anforderungen von NEC und CEC nur von einem lizenzierten Techniker durchgeführt werden).
5. Beachten Sie unbedingt die Installationsanweisungen in dieser Anleitung.
6. Bevor Sie dieses Gerät installieren, beachten Sie bitte ob starker Wind, intensive Wetterbedingungen oder Erdbeben das Gerät beeinflussen können und wählen Sie einen geeigneten Installationsort. Anderenfalls kann ein Betriebsausfall des Geräts verursacht werden.
7. Dieses Gerät kann von Kindern ab 8 Jahren, Personen mit eingeschränkten körperlichen, intuitiven oder geistigen Fähigkeiten oder von Personen ohne Erfahrung und Kenntnis benutzt werden, wenn diese einer geeigneten Aufsicht oder Führung bezüglich des sicheren Gebrauchs des Geräts unterzogen worden sind und die diesbezüglichen Gefahren verstanden haben. Kinder dürfen nicht mit dem Gerät spielen. Die Reinigung und Wartung darf nicht von Kindern ohne Aufsicht durchgeführt werden. (Definierte Anforderungen EN).
8. Verwenden Sie keine Beschleunigungsmittel für das Auftauen oder das Reinigen, die nicht vom Hersteller empfohlen werden.
9. Dieses Gerät ist nicht für den Gebrauch durch Personen (einschließlich Kinder) mit eingeschränkten körperlichen, sensorischen oder geistigen Fähigkeiten oder mangelnden Erfahrungen und Kenntnissen bestimmt, es sei denn, sie wurden ordnungsgemäß beaufsichtigt oder in Bezug auf die sichere Verwendung des Geräts instruiert und verstehen die Gefahren einer solchen Verwendung.
10. Kinder dürfen nicht mit dem Gerät spielen. (Definierte Anforderung IEC).
11. Wenn das Netzkabel beschädigt ist, muss es vom Hersteller, vom Kundendienst oder von qualifizierten Personen ausgetauscht werden, um Gefahren zu vermeiden.
12. Das Gerät muss gemäß den nationalen Verdrahtungsvorschriften installiert werden.
13. Festverdrahtung muss gemäß den geltenden Installationsvorschriften eine mehrpolige Trennvorrichtung mit einem Abstand von mindestens 3 mm über alle Pole und einem Leckstrom, der 10 mA überschreiten kann, umfassen, mit einem Fehlerstromschutzschalter (RCD) mit einem Bemessungsfehlerstrom von nicht mehr als 30 mA.



## WARNUNG

14. Das Trennen des Geräts vom Netz sollte gemäß den Vorschriften für elektrische Anschlüsse erfolgen.
15. Jede Person, die sich mit Kühlmittelleitungen beschäftigt bzw. in solche eingreift, muss über ein gültiges und geltendes Zertifikat verfügen, dass von einer branchenbedingten zertifizierten Behörde ausgestellt wird, die die Fähigkeit der Person bestätigt sicher mit Kühlmitteln umzugehen, gemäß den von der Branche anerkannten Beurteilungsstandards.
16. Die Wartung muss nur gemäß den Empfehlungen des Herstellers des Gerätes erfolgen.
17. Im Fall in dem für die Wartung und Reparatur die Hilfe einer anderen Fachperson erforderlich ist, muss diese unter Aufsicht der Person erfolgen, die über die Zertifizierung für den Umgang mit entzündlichen Kühlmitteln verfügt.
18. Das Gerät muss so gelagert werden, dass mechanische Beschädigungen vermieden werden.
19. Halten Sie die Entlüftungsöffnungen von Hindernissen fern.
20. Schalten Sie den Strom erst ein, wenn die Arbeit abgeschlossen ist.
21. Wenn Sie die Klimaanlage bewegen oder umstellen, wenden Sie sich an erfahrene Servicetechniker für die Trennung vom Netz und erneute Installation der Einheit.
22. In manchen Betriebsumfeldern, wie Küchen , Rechenzentren (server) usw., wird die Nutzung von speziell ausgelegten Klimaanlage empfohlen.
23. Die Steckdose muss von jedem Punkt aus kontrolliert werden können, dass sie getrennt ist.
24. Wenn dies aufgrund der Konstruktion des Geräts oder seiner Installation nicht möglich ist, muss die Trennung mit einem Verriegelungssystem in isolierter Position erfolgen.
25. Lesen Sie für die Installationsschritte des Geräts die Details "Inneneinheit" und "Außeneinheit-Installation".



## VORSICHT

- ⊗ Bei Geräten mit elektrischer Zusatzheizung, installieren Sie das Gerät nicht in einem Umkreis von 1 Meter (3 feet) von brennbaren Materialien.
  - ⊗ Stellen Sie das Gerät nicht in einer Position auf, die umgelaufenen Abgasen ausgesetzt sein kann. Wenn sich um das Gerät herum umgelaufene Abgase ansammeln, kann dies zu einem Brand führen.
  - ⊗ Verwenden Sie Ihre Klimaanlage nicht in Räumen wie z. B. einem Badezimmer oder einem Raum mit Elektrogeräten. Wasser kann zu einem Kurzschluss in den elektrischen Komponenten führen.
1. Das Produkt muss zum Zeitpunkt der Installation gut geerdet sein, da dies zu einem elektrischen Schlag führen kann.
  2. Installieren Sie die Ablaufleitungen gemäß den Anweisungen in dieser Anleitung. Ein falscher Ablauf kann im Haus oder in Ihrem Raum zu Wasserlecks führen.



## Warnhinweise für die Verwendung von Kühlmittel R32 / R290

### 1. Installation (Raum)

- Die Installation der Rohre muss auf ein Minimum beschränkt sein.
- Die Rohre müssen vor physischer Beschädigung geschützt werden.
- Die Einhaltung der nationalen Gasvorschriften ist zu beachten.
- Mechanische Verbindungen müssen zu Wartungszwecken zugänglich sein.
- In Fällen, in denen eine mechanische Entlüftung erforderlich ist, müssen die Entlüftungsöffnungen von Hindernissen ferngehalten werden.
- Bei der Entsorgung des Produkts müssen Sie sich auf nationale Vorschriften verlassen.
- Das Gerät sollte in einem gut belüfteten Bereich gelagert werden, der seiner Betriebsgröße entspricht.
- Elemente, in denen Kältemittelleitungen den nationalen Gasvorschriften entsprechen müssen.

### 2. Wartung

- Jede Person, die an einer Arbeit oder einem Ausfall in einem Kältemittelkreislauf beteiligt ist, muss im Besitz eines gültigen Zertifikats einer anerkannten Zertifizierungsstelle sein, das ihre Fähigkeit zum sicheren Umgang mit Kältemitteln gemäß einem branchenweit anerkannten Bewertungsstandard genehmigt.
- Die Wartung darf nur gemäß den Anweisungen des Geräteherstellers durchgeführt werden. Wartung und Reparatur erfordern die Unterstützung eines anderen zugelassenen Technikers unter Aufsicht der für die Verwendung von umlaufenden Abgasen verantwortlichen Person.

### 3. Verwenden Sie keine Mittel, um das Abtauen oder Reinigen zu beschleunigen, außer den vom Hersteller empfohlenen.

### 4. Das Gerät muss in einem Raum ohne ständige Zündquellen gelagert werden (z. B. offene Installationen, ein funktionierendes Gasgerät oder ein funktionsfähiges elektrisches Heizgerät).

### 5. Nicht durchbohren oder verbrennen.

### 6. Beachten Sie, dass Kühlmittel keinen Geruch enthalten können.

### 7. Achten Sie darauf, dass keine Fremdkörper wie Öl, Wasser usw. in die Rohrleitungen gelangen. Bei der Lagerung der Rohre die Öffnung der Sicherung mit Isolierband usw. abdichten. Verwenden Sie bei Innengeräten R32-Kühlmittel zum Verbinden von Fugen, nur wenn Sie das Innengerät und das Außengerät anschließen (beim Innenanschluss). Die Verwendung von Rohren oder Fittings kann zu Funktionsstörungen, Rohrbrüchen oder Verletzungen führen, aufgrund des hohen Innendrucks des Kältemittelkreislaufs, der durch einströmende Luft verursacht wird.

### 8. Die Maschine muss in einem Raum mit einer Fläche von mehr als $X \text{ m}^2$ installiert, betrieben und gelagert werden (siehe nachstehendes Formular). Das Gerät sollte nicht in einem unbelüfteten Raum installiert werden, wenn dieser Platz weniger als $X \text{ m}^2$ beträgt (siehe folgendes Formular).

Incarcatura maxima pentru o camera trebuie sa fie in conformitate cu urmatoarea formula:

$$m_{\max} = 2,5 \times (\text{LFL})^{(5/4)} \times h_0 \times (\text{A})^{1/2}$$

oder die erforderliche Mindestbodenfläche A zur Installation eines Geräts mit Kältemittelfüllung M(kg) muss in Übereinstimmung mit den folgenden Angaben sein:

$$A_{\min} = (M / (2,5 \times (\text{LFL})^{(5/4)} \times h_0))^2$$

Wenn:

$m_{\max}$  ist die zulässige maximale Füllmenge in einem Raum, in kg;

$M$  ist die Kältemittelfüllmenge im Gerät, in kg;

$A_{\min}$  ist die erforderliche Mindestraumfläche in m<sup>2</sup>;

$A$  ist die Raumfläche, in m<sup>2</sup>;

$\text{LFL}$  ist die untere Explosionsgrenze in kg/m<sup>3</sup>

$h_0$  ist die Auslösehöhe, der vertikale Abstand in Metern vom Boden bis zum Punkt der

Auslösepunkt, wenn das Gerät installiert ist;

$h_0 = (\text{hinst} + \text{hrel})$  oder 0,6 m, je nachdem, welcher Wert höher ist

$h_{\text{rel}}$  ist der Auslöseversatz in Metern von der Unterseite des Geräts bis zum Punkt der

Auslösung

$h_{\text{inst}}$  ist die installierte Höhe des Geräts in Metern

#### **Die Referenz-Einbauhöhen sind unten angegeben:**

0,0 m für tragbare und bodenmontierte Geräte;

1,0 m für die Fenstermontage;

1,8m für die Wandmontage;

2,2 m für die Deckenmontage;

Wenn die vom Hersteller angegebene minimale Einbauhöhe größer ist als die Referenzeinbauhöhe, dann müssen zusätzlich  $A_{\min}$  und  $m_{\max}$  für die Referenzeinbauhöhe vom Hersteller angegeben werden. Ein Gerät kann mehrere Referenzeinbauhöhen haben.

In diesem Fall müssen die Berechnungen von  $A_{\min}$  und  $m_{\max}$  für alle zutreffenden Referenzeinbauhöhen angegeben werden.

Bei Geräten, die einen oder mehrere Räume mit einem Luftkanalsystem versorgen, ist für  $h_0$  die unterste Öffnung des Kanalanschlusses zu jedem klimatisierten Raum oder jede Öffnung des Innengeräts, die größer als 5 cm ist, an der tiefsten Stelle zum Raum zu verwenden. Jedoch darf  $h_0$  nicht kleiner sein als 0,6 m sein.  $A_{\min}$  ist in Abhängigkeit von den Öffnungshöhen des Kanals zu den Räumen und der Kältemittelfüllmenge für die Räume zu berechnen, in die austretendes Kältemittel fließen kann, wobei der Standort des Geräts zu berücksichtigen ist. Alle Räume müssen eine Bodenfläche haben, die größer als  $A_{\min}$  ist.

**HINWEIS 1** Diese Formel kann nicht für Kältemittel verwendet werden, die leichter als 42 kg/kmol sind.

**HINWEIS 2** Einige Beispiele für die Ergebnisse der Berechnungen nach der obigen Formel sind in den Tabellen 1-1 und 1-2 aufgeführt.

**HINWEIS 3** Bei werkseitig versiegelten Geräten kann zur Berechnung von Amin das Typenschild am Gerät selbst, auf dem die Kältemittel kann zur Berechnung von Amin verwendet werden.

**HINWEIS 4** Bei feldbefüllten Produkten kann die Berechnung von Amin auf der Grundlage der installierten Kältemittelfüllung erfolgen.

Die Berechnung von Amin kann auf der Grundlage der installierten Kältemittelfüllung erfolgen, wobei die werkseitig angegebene maximale Kältemittelfüllung nicht überschritten werden darf.

**Tabelle 1-1 Max. Kältemittelfüllmenge (kg)**

Kältemittel Typ	LFL (kg/m <sup>3</sup> )	Einbau Höhe H0(m)	Bodenfläche (m <sup>2</sup> )						
			4	7	10	15	20	30	50
R32	0.306		4	7	10	15	20	30	50
		0.6	0.68	0.90	1.08	1.32	1.53	1.87	2.41
		1.0	1.14	1.51	1.80	2.20	2.54	3.12	4.02
		1.8	2.05	2.71	3.24	3.97	4.58	5.61	7.24
		2.2	2.50	3.31	3.96	4.85	5.60	6.86	8.85
R290	0.038	0.6	0.05	0.07	0.08	0.10	0.11	0.14	0.18
		1.0	0.08	0.11	0.13	0.16	0.19	0.23	0.30
		1.8	0.15	0.20	0.24	0.29	0.34	0.41	0.53
		2.2	0.18	0.24	0.29	0.36	0.41	0.51	0.65






**Tabelle 1-2 Mindestraumfläche (m<sup>2</sup>)**

Kältemittel Typ	LFL (kg/m <sup>3</sup> )	Einbau Höhe H0(m)	Ladung Menge in kg Mindestraumfläche (m <sup>2</sup> )						
			1.224 kg	1.836 kg	2.448 kg	3.672 kg	4.896 kg	6.12 kg	7.956 kg
R32	0.306		1.224 kg	1.836 kg	2.448 kg	3.672 kg	4.896 kg	6.12 kg	7.956 kg
		0.6	29	51	116	206	321	543	
		1.0	10	19	42	74	116	196	
		1.8	3	6	13	23	36	60	
		2.2	2	4	9	15	24	40	
R290	0.038		0.152 kg	0.228 kg	0.304 kg	0.456 kg	0.608 kg	0.76 kg	0.988 kg
		0.6	82	146	328	584	912	1541	
		1.0	30	53	118	210	328	555	
		1.8	9	16	36	65	101	171	
		2.2	6	11	24	43	68	115	

## Hinweis bezüglich fluorierter Gase

1. Diese Klimaanlage enthält fluorierete Gase. Weitere Informationen zum Typ und zur Menge des Gases entnehmen Sie dem entsprechenden Schild auf dem Gerät oder "Benutzerhandbuch - Produkt Bulletin" auf der Verpackung des Außengeräts. (Nur Produkte der Europäischen Union).
2. Installations-, Inspektions-, Wartungs- und Reparaturarbeiten an dieser Anlage müssen durch eine zertifizierte Fachperson durchgeführt werden.
3. Die Demontage und das Recycling des Produkts muss durch eine zertifizierte Fachperson durchgeführt werden.
4. Wenn in der Anlage ein Leckage-Erkennungssystem installiert ist, muss dieses mindestens einmal alle 12 Monate kontrolliert werden.
5. Wir empfehlen bei der Leckagekontrolle der Anlage ein Protokoll mit den vorgenommenen Kontrollen zu führen.

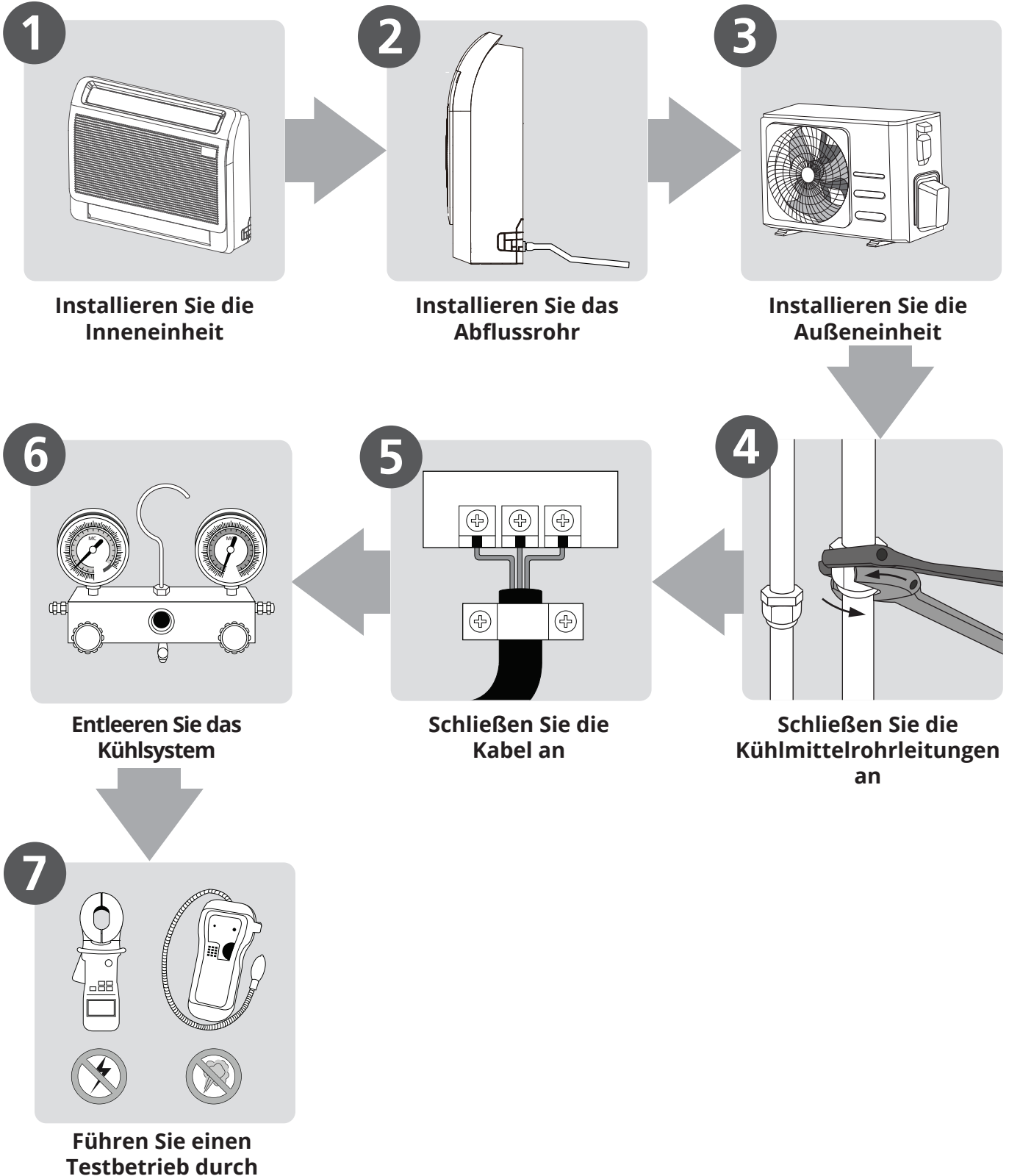
## Erläuterung zu den Symbolen, die am Innen- bzw. Außengerät abgebildet werden (gilt nur für Geräte die Kühlmittel R32/R290 benutzen):

	<b>WARNUNG</b>	Dieses Symbol weist darauf hin dass bei diesem Gerät ein entzündliches Kühlmittel benutzt wird. Wenn Kühlmittel ausläuft und dieses einer externen Zündquelle ausgesetzt ist besteht Brandgefahr.
	<b>VORSICHT</b>	Dieses Symbol weist darauf hin dass Sie die Gebrauchsanleitung sorgfältig lesen müssen.
	<b>VORSICHT</b>	Dieses Symbol weist darauf hin dass die Bedienung der Einrichtung von einer zugelassenen Fachperson unter Beachtung des Installationshandbuchs erfolgen muss.
	<b>VORSICHT</b>	
	<b>VORSICHT</b>	Dieses Symbol weist darauf hin dass die Informationen in gedruckter Form verfügbar sind, zum Beispiel Gebrauchsanleitung oder Installationshandbuch.

# Überblick der Installation

# 3

## INSTALLATIONSABLAUF



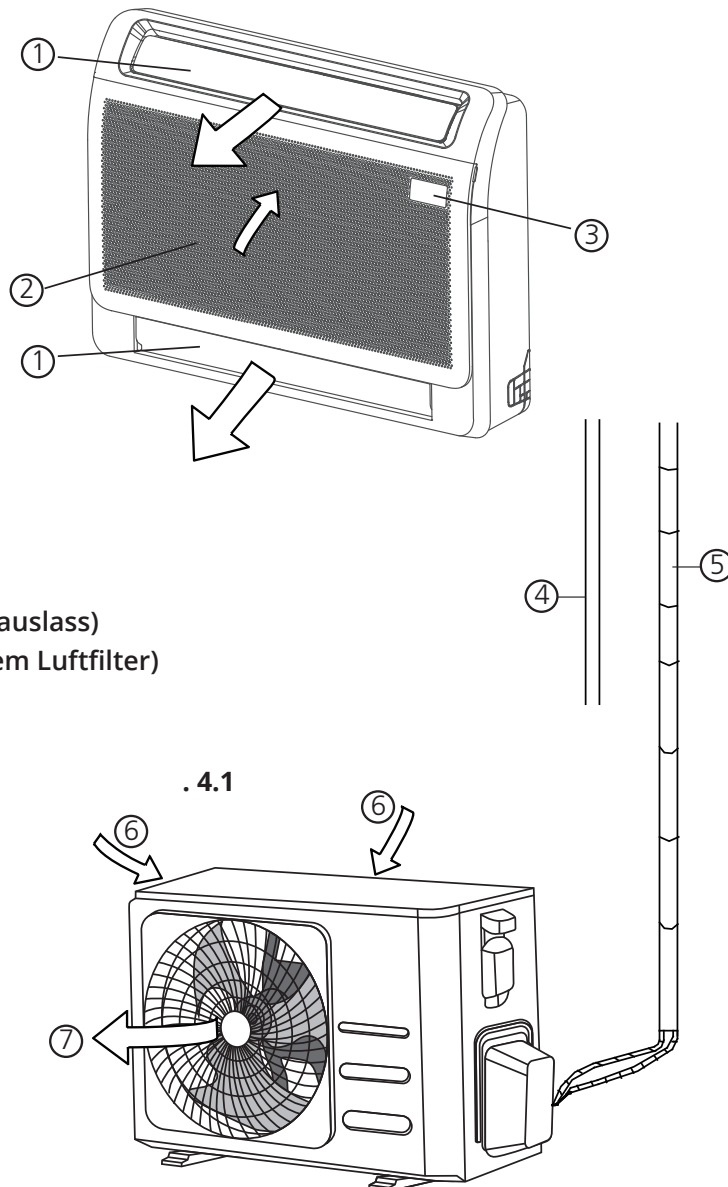


# Installation Inneneinheit

# 4

## Teile der Inneneinheit

**HINWEIS:** Die Installation muss in Übereinstimmung mit den Anforderungen der lokalen und nationalen Normen erfolgen. Die Installation kann in verschiedenen Gebieten leicht unterschiedlich sein.



- ① Luftstromjalousie (am Luftauslass)
- ② Lufteinlass (mit eingebautem Luftfilter)
- ③ Bedienfeld
- ④ Abflussleitung

- ⑤ Verbindungsleitung
- ⑥ Lufteinlass
- ⑦ Luftauslass

## HINWEIS ZU DEN ABBILDUNGEN

- Die Rohrleitungen können von der linken, rechten, hinteren und unteren Seite des Gerätes angeschlossen werden. Bitte wählen Sie die Verrohrungsmethode entsprechend dem tatsächlichen Bedarf.
- Die Abbildungen in diesem Handbuch dienen nur zur Veranschaulichung. Die tatsächliche Form Ihres Innengerätes kann leicht abweichen. Die tatsächliche Form ist ausschlaggebend.

## Installationsanleitung Inneneinheit

**HINWEIS:** Die Installation der Einheit muss nach dem Abschluss der Anbringung der Rohre und Kabel stattfinden.

### 1. Schritt: Wählen Sie den Installationsort aus

Die Inneneinheit muss an einem Ort installiert werden, der folgenden Bedingungen entspricht:

- ☑ Es gibt ausreichend Platz für Installations- und Wartungsarbeiten.
- ☑ Es gibt ausreichend Platz, um die Rohrleitungen und das Abflussrohr anzuschließen.
- ☑ Das Dach ist horizontal und seine Struktur kann das Gewicht der Inneneinheit aufnehmen.
- ☑ Der Lufteinlass und -auslass sind nicht blockiert.
- ☑ Der Luftstrom kann in den gesamten Raum geleitet werden.
- ☑ Es gibt keine direkte Strahlung aus Heizkörpern.



## VORSICHT

**Installieren Sie das Gerät NICHT** an den unten aufgeführten Orten:

- ⊗ Bereiche, in denen Öl- oder Gasförderung stattfindet
- ⊗ Küstengebiete mit hohem Salzgehalt in der Luft
- ⊗ Orte, an denen die Luft ätzende Gase enthält, wie z.B. in der Nähe von Thermalquellen
- ⊗ Bereiche, in denen Stromschwankungen auftreten, wie Fabriken
- ⊗ Geschlossene Bereiche wie Schränke
- ⊗ Küchen, in denen Erdgas verwendet wird
- ⊗ Bereiche, in denen starke elektromagnetische Wellen auftreten
- ⊗ Bereiche, in denen leicht entzündliche Materialien oder Gase aufbewahrt werden
- ⊗ Räume mit hoher Luftfeuchtigkeit, z.B. Bad oder Waschküche

### EMPFOHLENE ABSTÄNDE IM UMFELD DER INNENEINHEIT

Der Abstand im Umfeld der Inneneinheit muss den Vorschriften im nachstehenden Diagramms entsprechen. (Siehe Abb. 4.2)

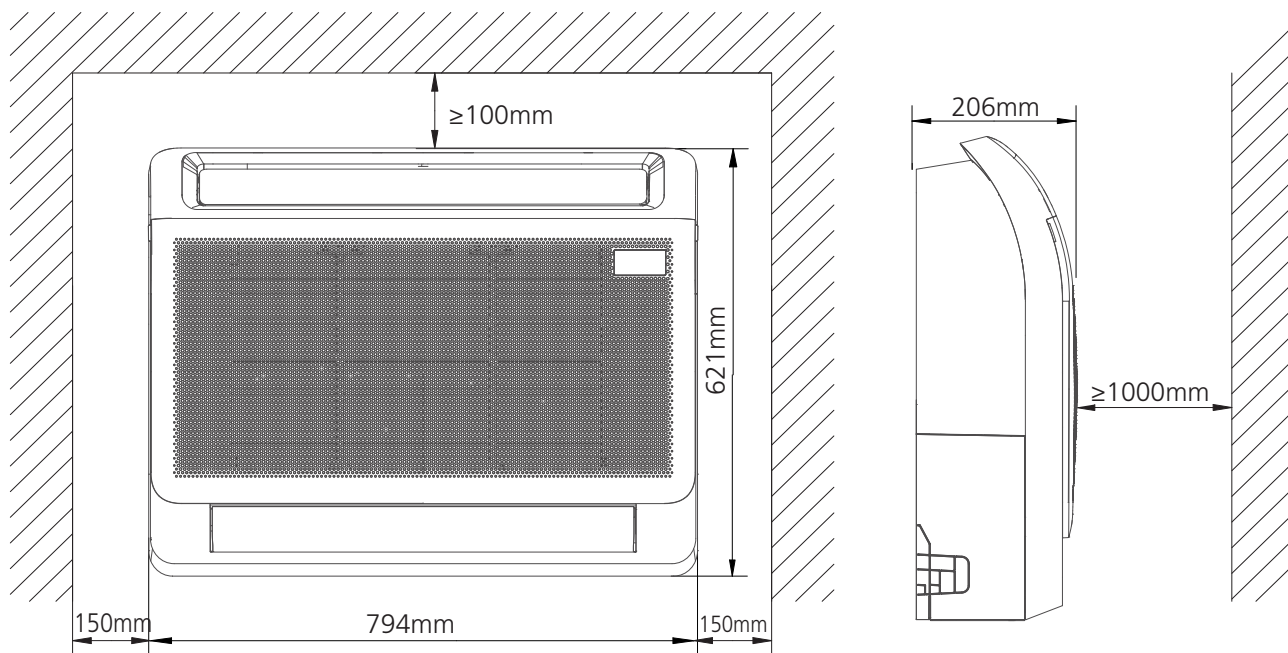
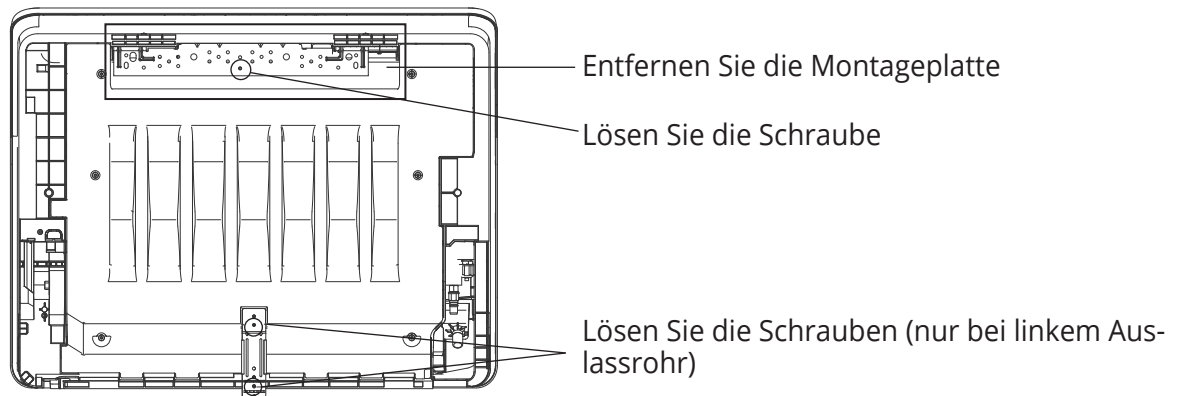


Abb. 4.2

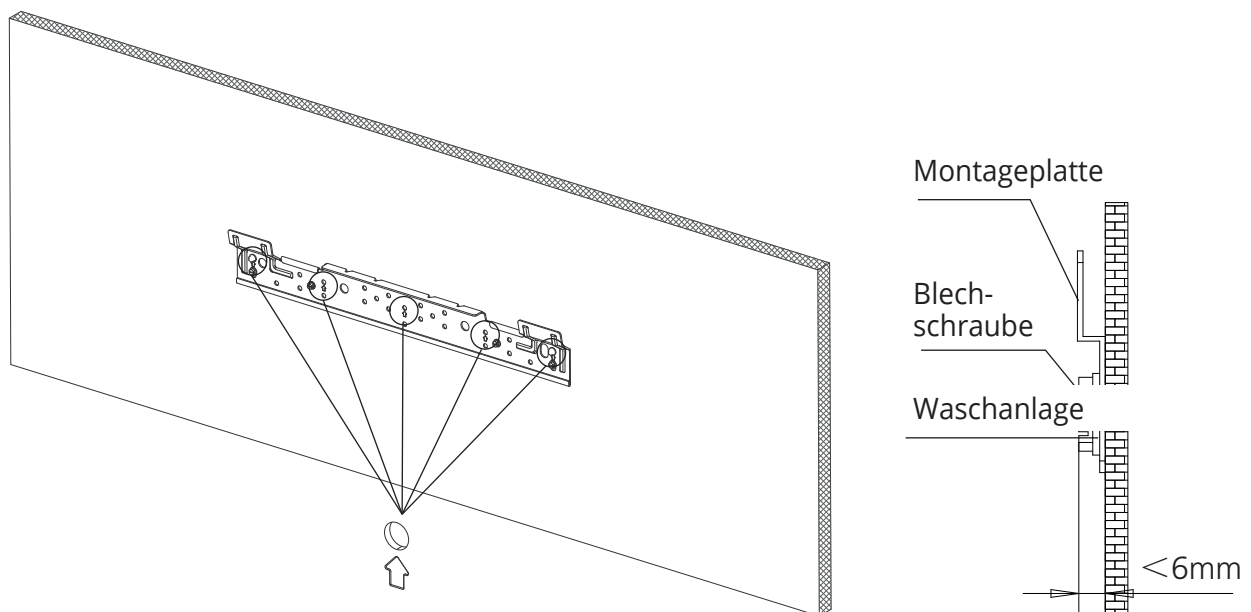
## Schritt 2: Montage des Hauptkörpers

- Nachdem Sie die Schrauben gelöst haben, nehmen Sie die Montageplatte vom Gerät ab.



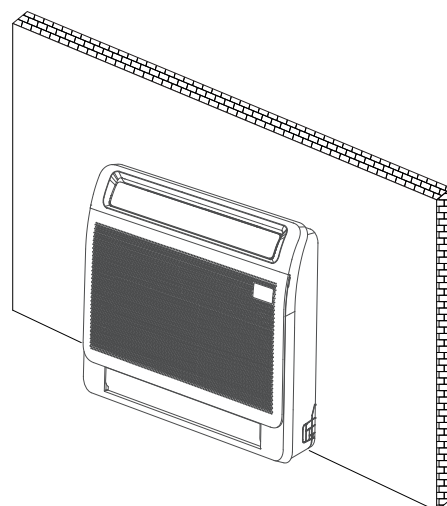
**HINWEIS:** Wenn das Rohr auf der linken Seite herauskommt, müssen die Schrauben an der unteren Montageplatte gelöst werden. Wenn das Rohr in anderen Richtungen herauskommt, ist dies nicht erforderlich.

- Befestigen Sie die Montageplatte mit einer Blechschraube an der Wand.  
HINWEIS: Es wird empfohlen, das Gerät entsprechend der durch den Pfeil auf der Montageplatte angegebenen Aufhängeöffnung an der Wand zu befestigen. Die Montageplatte muss waagrecht montiert werden.



- Hängen Sie das Innengerät an der Montageplatte auf. (Die Unterseite des Gehäuses kann den Boden berühren oder aufgehängt bleiben, aber das Gehäuse muss vertikal installiert werden).

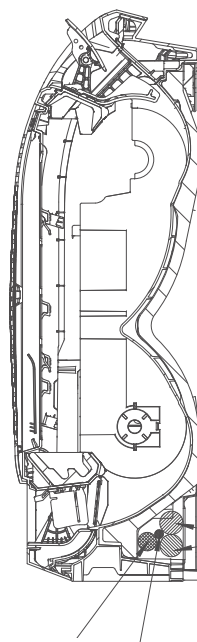
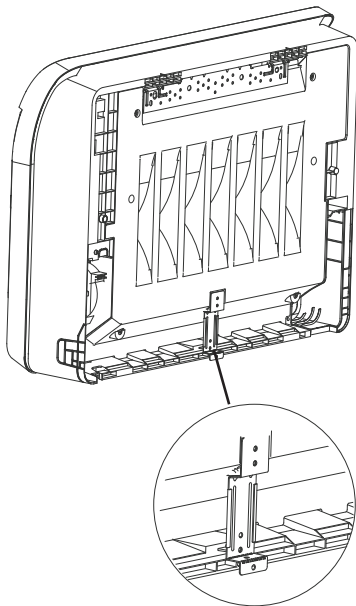
HINWEIS: Nach der Installation muss das Gerät waagrecht gehalten werden, ohne zu kippen.



- Einbau der unteren Montageplatte

Einbau ohne Sockelleiste

Die untere Montageplatte wird direkt an der Wand befestigt.



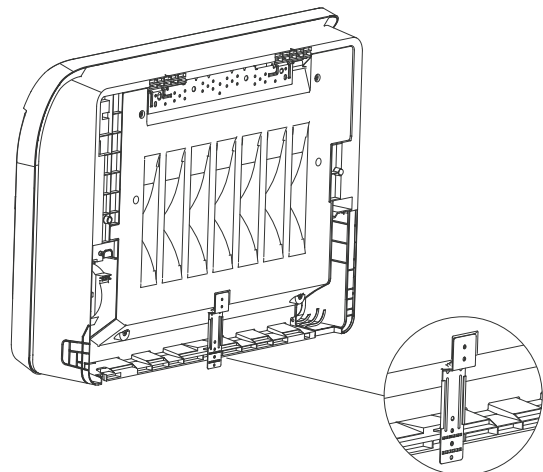
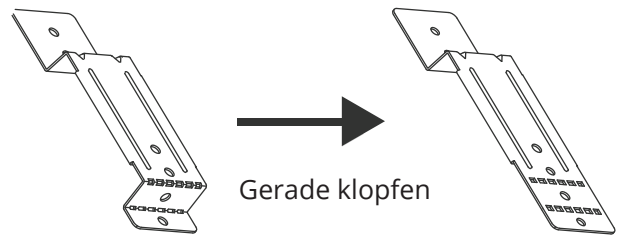
Abflussrohr Netzkabel

Kältemittelleitung

HINWEIS: Um eine reibungslose Entleerung zu gewährleisten, muss die Position des Abflussrohrs bei der Entleerung des rechten Rohrs der obigen Abbildung entsprechen.

- Einbau mit Sockelleiste

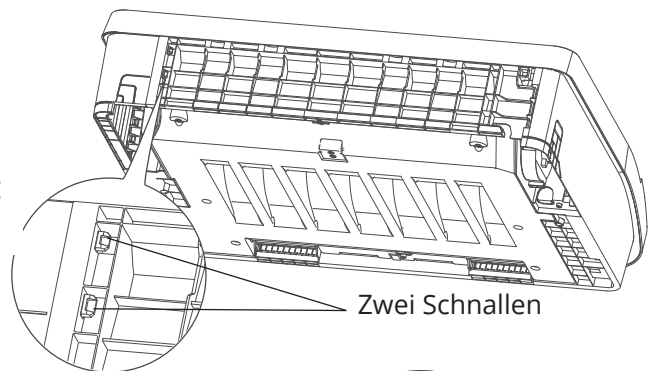
Klopfen Sie die untere Montageplatte mit einem Werkzeug gerade und befestigen Sie sie an der Sockelleiste.



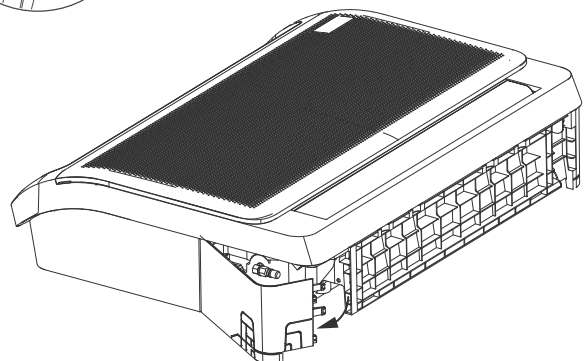
**Schritt 3: Ausbau des Innengerätes zum An-schließen der Leitungen**

**1. Öffnen Sie die untere Paspelabdeckplatte.**

Drücken und halten Sie die beiden unteren Schnallen und drehen Sie sie, um die Paspelabdeckplatte zu öffnen.

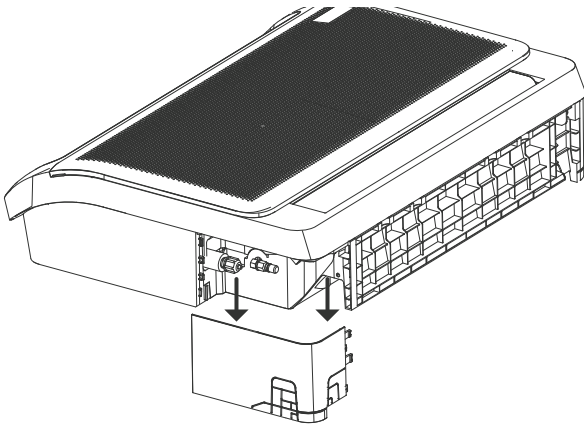


Zwei Schnallen



## 2. Scoateti capacul protector

Entfernen Sie die Rohrabdeckplatte und installieren Sie die internen und externen Verbindungsrohre.



**HINWEIS:** Installieren Sie zuerst die kleinen und dann die großen Rohrleitungen.

**HINWEIS:** Alle Abbildungen in diesem Handbuch dienen nur zu Demonstrationszwecken. Das von Ihnen gekaufte Klimagerät kann trotz ähnlicher Form etwas anders aufgebaut sein.

## Schritt 4: Netzwerkadresse einstellen (einige Modelle)

(Nur die Einheit 18000Btu/h hat die Funktion, dass die Netzwerkadresse eingestellt wird).

Jedes Klimagerät im Netzwerk hat nur eine Netzwerkadresse, um sich gegenseitig zu unterscheiden. Der Adresscode des Klimagerätes im LAN wird mit den Codierschaltern S1 und S2 auf der Hauptsteuerplatte des Innengerätes eingestellt; der Einstellbereich beträgt 0-63.

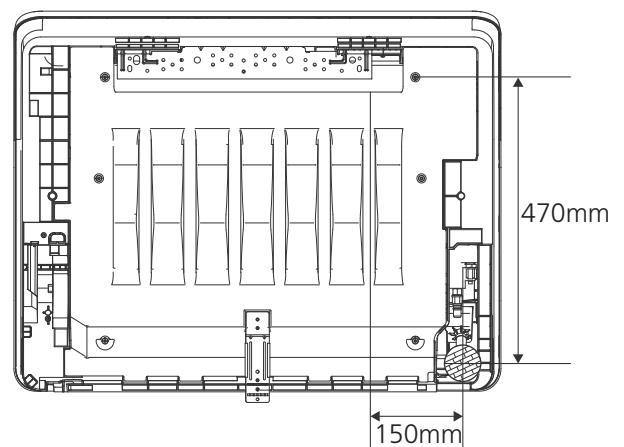
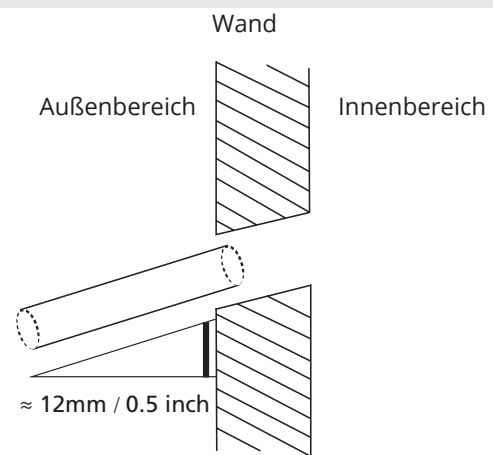
Kippschalter eingestellt		Code der Netz-adresse
S1	S2	
		00~15
		16~31
		32~47
		48-63

## Schritt 5: Wandloch für die Verbindungsleitung bohren

1. Bestimmen Sie die Position des Wandlochs auf der Grundlage des Standorts des Außengerätes.
2. Bohren Sie mit einem 65mm oder 90mm (je nach Modell) Kernbohrer ein Loch in die Wand. Achten Sie darauf, dass das Loch in einem leichten Winkel nach unten gebohrt wird, so dass die Außen-seite des Lochs etwa 12 mm tiefer als die Innen-seite liegt. Dadurch wird ein ordnungsgemäßer Wasserabfluss gewährleistet.
3. Setzen Sie die Schutzmanschette in das Loch. Dies schützt die Ränder des Lochs und hilft bei der Abdichtung, wenn Sie den Installationsprozess abschließen.

### VORSICHT:

Achten Sie beim Bohren des Wandlochs darauf, dass Sie Kabel, Rohrleitungen und andere empfindliche



Empfohlene Position und Größe des hinteren Abflussrohrs durch die Wandöffnung



## Schritt 6: Abflussschlauch anschließen

Das Abflussrohr dient dazu, das Wasser aus dem Gerät abzuleiten. Eine unsachgemäße Installation kann zu Geräte- und Sachschäden führen.

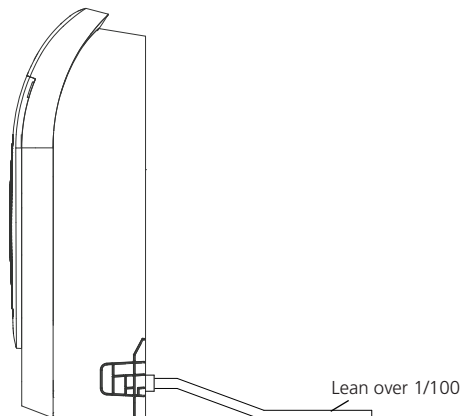
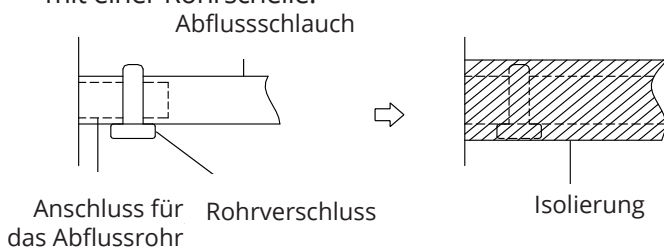
### ! VORSICHT

- Isolieren Sie alle Rohrleitungen, um Kondensation zu vermeiden, die zu Wasserschäden führen könnte.
- Wenn das Abflussrohr verbogen oder falsch installiert ist, kann Wasser austreten und eine Fehlfunktion des Wasserstandsschalters verursachen.
- Im HEIZBETRIEB lässt das Außengerät Wasser ab. Achten Sie darauf, dass der Abflussschlauch an einer geeigneten Stelle angebracht wird, um Wasserschäden und Ausrutschen zu vermeiden.
- Ziehen Sie NICHT gewaltsam am Abflussrohr. Dadurch könnte es sich lösen.

### HINWEIS ZUM EINKAUF VON ROHREN

Für die Installation wird ein Polyethylenrohr (Außendurchmesser = 3,7-3,9 cm, Innendurchmesser = 3,2 cm) benötigt, das Sie in Ihrem Fachgeschäft oder im Fachhandel erwerben können.

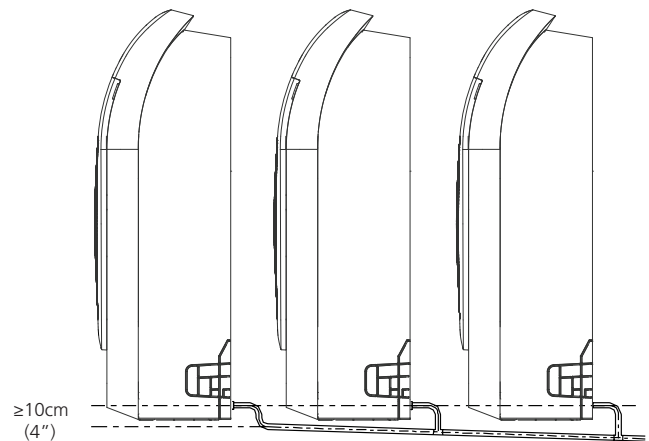
1. Decken Sie das Abflussrohr mit einer Wärmedämmung ab, um Kondenswasser und Undichtigkeiten zu vermeiden.
2. Befestigen Sie die Mündung des Abflussschlauchs am Abflussrohr des Gerätes. Umhüllen Sie die Mündung des Schlauchs und befestigen Sie ihn mit einer Rohrschelle.



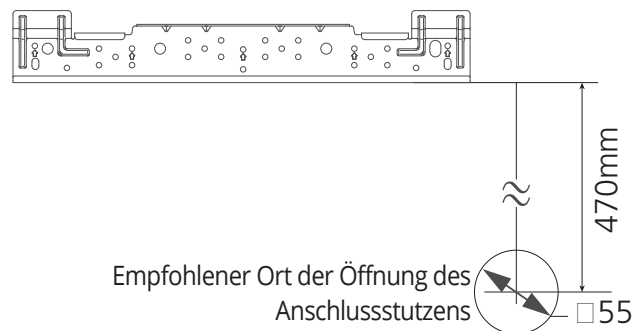
### HINWEIS ZUM EINBAU VON ABFLUSSROHREN

- Bei Verwendung eines verlängerten Abflussrohrs ist der Innenanschluss mit einem zusätzlichen Schutzrohr zu befestigen. Dies verhindert, dass er sich löst.
- Das Abflussrohr sollte mit einem Gefälle von mindestens 1/100 abwärts verlaufen, um zu verhindern, dass Wasser in die Klimaanlage zurückfließt.
- Ein falscher Einbau kann dazu führen, dass Wasser in das Gerät zurückfließt und es überschwemmt.

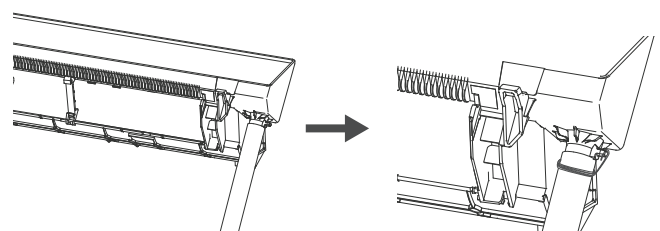
**HINWEIS:** Wenn Sie mehrere Abflussrohre anschließen, verlegen Sie die Rohre wie abgebildet.



Um einen reibungslosen Abfluss zu gewährleisten, muss der Höhenunterschied zwischen dem Wandauslass und der Aufhängeplatte größer als 470 mm sein.



Anforderungen an die Befestigung des Abflussrohrs. Wenn Sie das Abflussrohr (nicht im Lieferumfang enthalten) installieren, befestigen Sie es bitte mit einer Schnur oder einem Seil.



# Installation der Außeneinheit

# 5

## Installationsanleitung Außeneinheit

### 1. Schritt: Wählen Sie den Installationsort aus.

Die Außeneinheit muss an einem Ort installiert werden, der folgenden Bedingungen entspricht:

- ☑ Installieren Sie die Außeneinheit so nah wie möglich an die Inneneinheit.
  - ☑ Sorgen Sie für ausreichenden Platz für Installations- und Wartungsarbeiten.
  - ☑ Lufteinlass und Luftauslass dürfen nicht blockiert oder starkem Wind ausgesetzt sein.
  - ☑ Stellen Sie sicher, dass der Installationsort des Geräts nicht durch Schneetreiben, Blattanhäufungen oder andere eingebrachte Gegenstände beeinflusst wird. Wenn möglich, befestigen Sie eine Abdeckung (Markise) über dem Gerät. Sorgen Sie dafür, dass die Abdeckung nicht den Luftstrom behindert.
  - ☑ Der Installationsort muss trocken und ausreichend belüftet sein.
  - ☑ Es muss genügend Platz für die Montage der Verbindungsrohre und der Kabel, sowie für den Zugang für Wartungsarbeiten vorhanden sein.
- ☐ Der Bereich darf nicht durch entzündliche Gase und Chemikalien belastet sein.
  - ☐ Die Länge des Rohrs zwischen Innen- und Außeneinheit darf nicht die maximal erlaubte Rohrlänge überschreiten.
  - ☐ Wenn möglich, installieren Sie das Gerät NICHT an einer Stelle, die intensivem Sonnenlicht ausgesetzt ist.
  - ☐ Sorgen Sie dafür, dass sich das Gerät möglichst weit entfernt von den Wohnungen der Nachbarn befindet, damit diese nicht vom Lärm des Geräts gestört werden. Wenn der Aufstellplatz starkem Wind ausgesetzt ist, z.B. in Küstennähe, muss das Gerät möglichst nah an der Wandfläche installiert werden, um es vor dem Wind zu schützen. Wenn erforderlich, benutzen Sie eine Markise. (Siehe Abb. 5.1 und 5.2)
  - ☐ Installieren Sie die Innen- und Außeneinheit, die Kabel und die Leitungen in einem Abstand von mindestens 1 Meter zu Fernseh- oder Radiogeräten, damit kein Rauschen und Bildverzerrungen entstehen. Abhängig von der Radiowellenfrequenz, kann der 1 Meter Abstand möglicherweise nicht ausreichend sein, um jegliche Interferenz zu vermeiden.

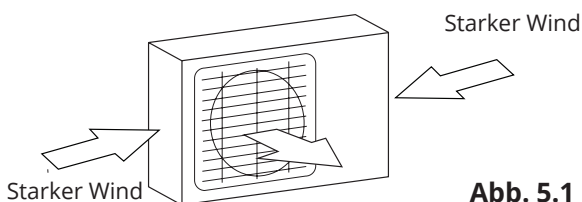


Abb. 5.1

### 2. Schritt: Aufstellung Außeneinheit.

Befestigen Sie die Außeneinheit mit Hilfe von Ankerschrauben (M10)

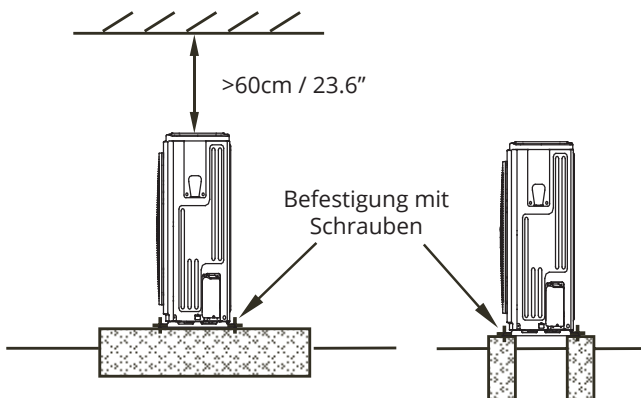


Abb. 5.3

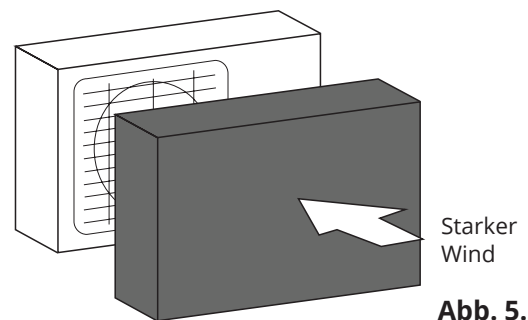


Abb. 5.2



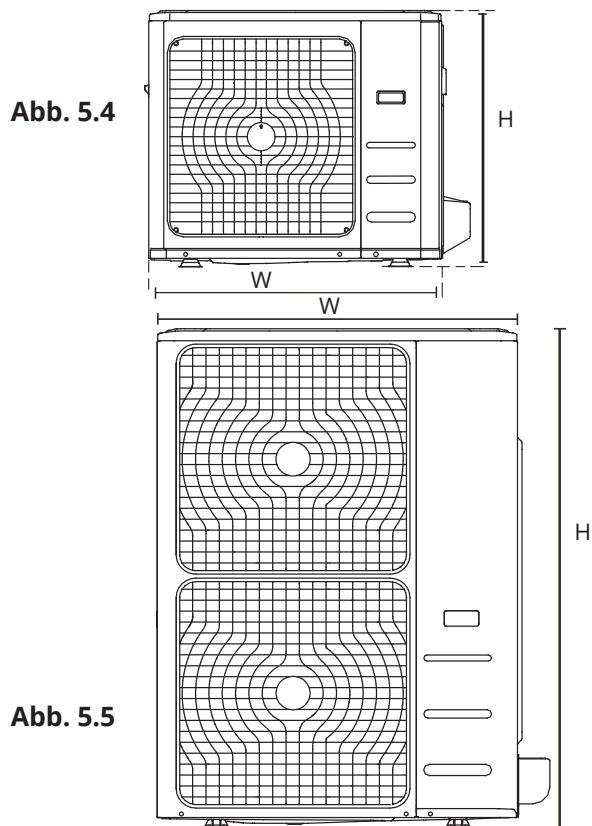
## VORSICHT

- Entfernen Sie mögliche Hindernisse, die den Luftumlauf beeinträchtigen können.
- Informieren Sie sich über die Längenvorschriften, damit sie feststellen können, ob genügend Platz für die Installation und Wartung vorhanden ist.



## Split-Außeneinheit

(Siehe Abb. 5.4, 5.5, 5.6, 5.10 und Tabelle 5.1)



**Tabelle 5.1: Längenvorschriften für die Split-Außeneinheit (Einheit: mm/Zoll)**

Abmessungen Außeneinheit (LxHxT)	Montageabmessungen	
	Abstand A	Abstand B
760x590x285 (29.9x23.2x11.2)	530 (20.85)	290 (11.4)
810x558x310 (31.9x22x12.2)	549 (21.6)	325 (12.8)
845x700x320 (33.27x27.5x12.6)	560 (22)	335 (13.2)
900x860x315 (35.4x33.85x12.4)	590 (23.2)	333 (13.1)
945x810x395 (37.2x31.9x15.55)	640 (25.2)	405 (15.95)
990x965x345 (38.98x38x13.58)	624 (24.58)	366 (14.4)
938x1369x392 (36.93x53.9x15.43)	634 (24.96)	404 (15.9)
900x1170x350 (35.4x46x13.8)	590 (23.2)	378 (14.88)
800x554x333 (31.5x21.8x13.1)	514 (20.24)	340 (13.39)
845x702x363 (33.27x27.6x14.3)	540 (21.26)	350 (13.8)
946x810x420 (37.24x31.9x16.53)	673 (26.5)	403 (15.87)
946x810x410 (37.24x31.9x16.14)	673 (26.5)	403 (15.87)
952x1333x410 (37.5x52.5x16.14)	634 (24.96)	404 (15.9)
952x1333x415 (37.5x52.5x16.34)	634 (24.96)	404 (15.9)
890x673x342 (35x26.5x13.46)	663 (26.1)	354 (13.94)

**HINWEIS:** Der minimale Abstand zwischen Außeneinheit und Wänden, wie in der Installationsanleitung beschrieben, gilt nicht für luftdicht verschlossene Zimmer. Sorgen Sie dafür, dass das Gerät in mindestens zwei der drei Richtungen (M, N, P) frei von Hindernissen bleibt (Siehe Abb. 5.10)

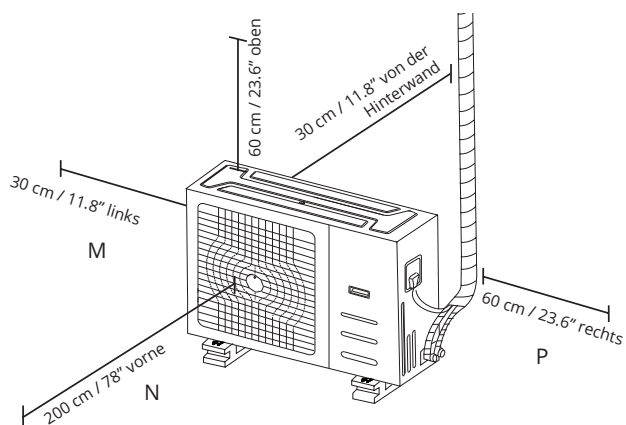


Abb. 5.10

### Reihen bei einer Reiheninstallation

Tabelle 5.3: Die Relation zwischen H, A und L ist folgende.

	L	A
L ≤ H	L < 1/2H	25 cm/9.8" oder mehr
	1/2H < L < H	30 cm/11.8" oder mehr
L > H	Kann nicht installiert werden	

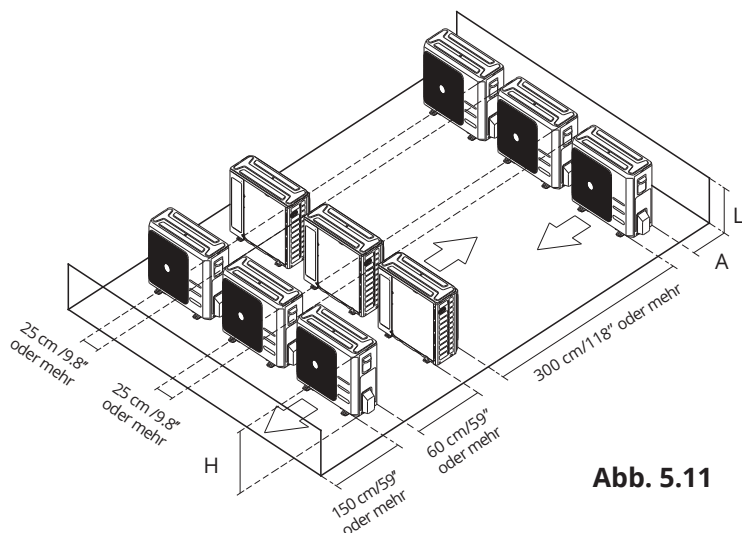


Abb. 5.11

### Montage des Abfluss-Verbindungsstücks

Wenn das Abfluss-Verbindungsstück über einen Gummieinsatz verfügt (siehe Abb. 5.12-A), verfahren Sie wie folgt:

1. Setzen Sie den Gummieinsatz in das Ende des Abfluss-Verbindungsstücks ein, das an der Außeneinheit angeschlossen ist.

2. Führen Sie das Abfluss-Verbindungsstück in die Bohrung am Kondensatsammelbecken des Geräts ein.

3. Drehen Sie das Abfluss-Verbindungsstück um 90° bis es in seiner Stelle einrastet, so dass es zur Vorderseite des Geräts ausgerichtet ist.

4. Verbinden Sie ein Abfluss-Verlängerungsrohr (nicht im Lieferumfang enthalten) mit dem Abfluss-Verbindungsstück, um das Wasser vom Gerät wegzuleiten, wenn dieses im Heizbetrieb betrieben wird.

Wenn das Abfluss-Verbindungsstück über einen Gummieinsatz verfügt (siehe Abb. 5.12 - B), verfahren Sie wie folgt:

1. Führen Sie das Abfluss-Verbindungsstück in die Bohrung am Kondensatsammelbecken des Geräts ein. Das Abfluss-Verbindungsstück rastet in seiner Stelle ein.

2. Verbinden Sie ein Abfluss-Verlängerungsrohr (nicht im Lieferumfang enthalten) mit dem Abfluss-Verbindungsstück, um das Wasser vom Gerät wegzuleiten, wenn dieses im Heizbetrieb betrieben wird.

**HINWEIS:** Sorgen Sie dafür, dass der Wasserablauf an einer sicheren Stelle stattfindet, wo keine Schäden durch das Wasser entstehen können und keine Rutschgefahr besteht.

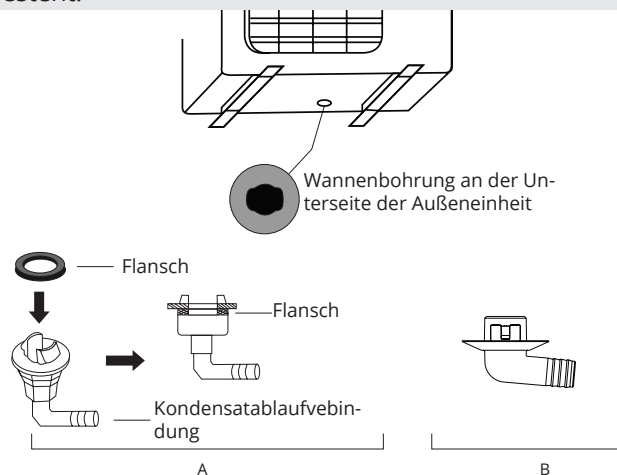


Abb. 5.12

### Hinweise zur Lochbohrung in Wänden

Es ist eine Durchbohrung des Mauerwerks für die Verrohrung des Kühlmittels und des Signalkabels, mit dem die Inneneinheit mit der Außeneinheit verbunden wird, erforderlich.

1. Bestimmen Sie die Stelle der Bohrung in Beziehung zum Aufstellort der Außeneinheit.

2. Bohren Sie mithilfe eines 65mm (2.5in) oder 90mm (3.54in) Kernbohrers ein Loch in die Wand.

**HINWEIS:** Bei der Durchbohrung des Mauerwerks müssen Sie aufpassen, dass Sie keine Kabel, Wasserrohre oder andere empfindliche Anlagen durchbohren.

3. Setzen Sie den Schutzmantel in die Bohrung. Somit werden die Enden der Bohrung geschützt und der Verschluss am Ende der Installationsarbeiten erleichtert.

# Anschlüsse der Kältemittelrohrleitungen

# 6

## Sicherheitsvorkehrungen



### WARNUNG

- Alle Verrohrungen am Installationsort müssen durch eine Fachperson durchgeführt werden und den örtlichen und nationalen Vorschriften entsprechen.
- Wenn das Klimagerät in einem kleinen Zimmer installiert wird, müssen geeignete Maßnahmen getroffen werden, damit im Fall einer Leckage die Kältemittelsammlung innerhalb des Zimmers nicht die Sicherheitsgrenzwerte überschreitet. Wenn der Kältemittelausfluss und seine Ansammlung den vorgegebenen Grenzwert überschreiten, können Gefahren aufgrund von Sauerstoffmangel entstehen.
- Während der Installation des Kühlsystems ist darauf zu achten, dass keine Luft, Staub, Feuchtigkeit oder Fremdkörper in die Leitungen des Kältemittels eindringen. Die Verschmutzung des Systems kann die Kühlleistung vermindern oder zu hohem Druck im Kühlzyklus, Explosion oder Verletzung führen.
- Lüften Sie sofort den Raum, falls während der Installation ein Kältemittelausfluss auftreten sollte. Das ausströmende Kühlgas ist sowohl giftig als auch entzündlich. Sorgen Sie dafür, dass nach Abschluss der Installationsarbeiten kein Kältemittelausfluss vorhanden ist.

## Hinweise zu Länge und Höhe der Rohre

Stellen Sie sicher, dass die Länge des Kältemittelrohrs, die Anzahl der Kurven und der Höhenunterschied zwischen der Innen- und Außeneinheit den Anforderungen von Tabelle 7.1 entsprechen:

**Tabelle 7.1: Maximale Länge und Höhenunterschied je nach Modell (Einheit: m/ft.)**

Modelltyp	Leistung (Btu/h)	Rohrlänge	Maximaler Höhenunterschied
Nordamerika, Australien und EU Frequenzänderung, Split-Typ	<15K	25/82	10/32.8
	>15K-<24K	30/98.4	20/65.6
	>24K-<36K	50/164	25/82
	>36K-<60K	65/213	30/98.4
Anderer Split-Typ	12K	15/49	8/26
	18K-24K	25/82	15/49
	30K-36K	30/98.4	20/65.6
	42K-60K	50/164	30/98.4

## ! VORSICHT

- Ölabschneider
- Wenn das Öl zu der externen Kompressoreinheit zurückfließt, kann es bei der Ölrückführung zu einer Kompression der Flüssigkeit oder zu Schäden kommen. Ölabschneider in angehobenen Gasleitungen können dies verhindern.  
Alle 6m (20ft) oder 10m (32.8ft) des vertikalen Saugrohrs muss ein Ölabscheider installiert werden. (siehe Abb. 7.2)

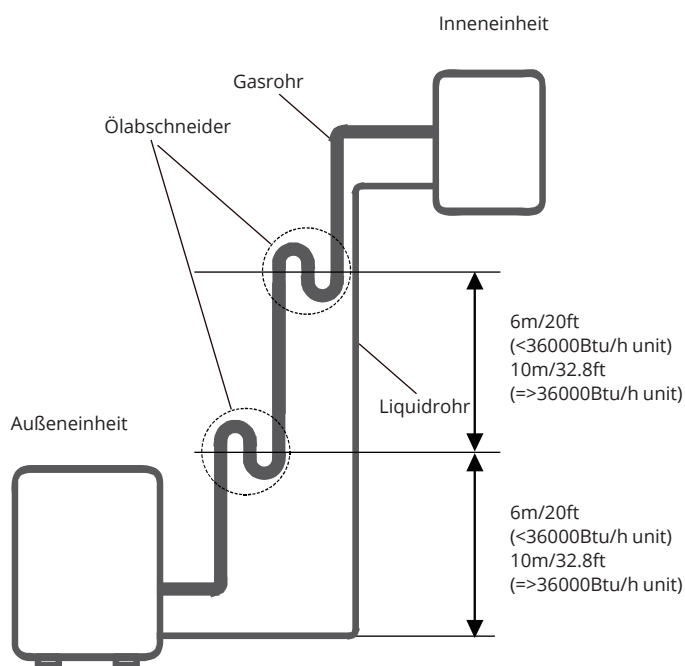


Abb. 7.2

## Anleitung zum Anschluss der Kühlmittelrohrleitungen

### ! VORSICHT

- Der Leitungsabzweig muss waagrecht aufgesetzt werden. Ein Winkel von über  $10^\circ$  kann eine Funktionsstörung hervorrufen.
- Verbindungsrohr **NICHT** aufsetzen, bevor sowohl die Innen- als auch die Außeneinheit installiert worden sind.
- Isolieren Sie die Gas- und Flüssigkeitsleitungen, um eine Wasser-Leckage zu meiden.

#### 1. Schritt: Schneiden der Rohre

Während der Vorbereitung der Kühlmittelrohre, müssen Sie auf den korrekten Schnitt und die richtige Aufweitung der Rohre achten. So wird ein effizienter Betrieb und minimaler zukünftiger Wartungsbedarf gewährleistet.

1. Messen Sie den Abstand zwischen den Innen- und Außeneinheiten.
2. Schneiden Sie mit einem Rohrschneider das Rohr etwas weiter, als der Abstand den Sie gemessen haben.

### ! VORSICHT

**Während des Schneidens das Rohr NICHT** verziehen. Während des Schneidens müssen Sie sehr vorsichtig sein, um Schäden, Kratzer und Krümmungen am Rohr vermeiden. So etwas würde zu einer drastischen Senkung der Heizleistung des Geräts führen.

1. Achten Sie darauf, dass Sie das Rohr in einem exakten Winkel von  $90^\circ$  schneiden. Siehe dazu Abb. 7.4 mit Beispielen mangelhafter Schnitte

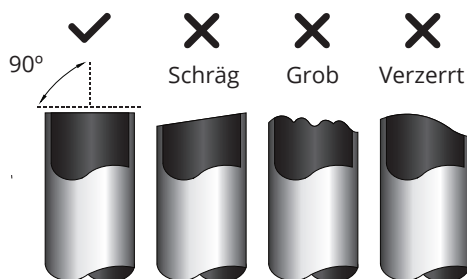


Abb. 7.4

#### 2. Schritt: Späne entfernen.

Späne können eine dichte Verbindung zwischen den Kühlmittelrohrteilen behindern. Grat muss vollkommen entfernt werden.

1. Halten Sie das Rohr mit einer Neigung nach unten, so dass keine Späne in das Rohr fallen können.
2. Entfernen Sie mit einem Entgrater oder Hobelwerkzeug jegliche Späne vom geschnittenen Rohrteil.

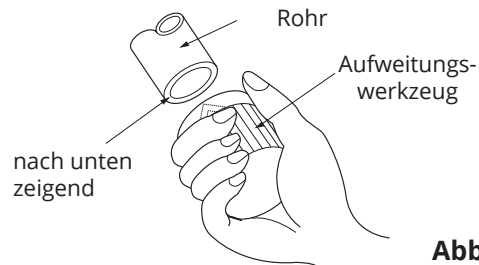


Abb. 7.5

#### 3. Schritt: Aufweitung der Rohrenden

Die geeignete Aufweitung ist sehr wichtig, um einen luftdichten Verschluss zu erzielen.

1. Nachdem Sie die Späne vom geschnittenen Rohr entfernt haben, verschließen Sie die Enden mit PVC-Band, damit keine Fremdkörper in das Rohr gelangen können.
2. Decken Sie das Rohr mit Isoliermittel ab.
3. Setzen Sie Konusmuttern auf beide Rohrenden. Achten Sie darauf, dass sie in die richtige Richtung ausgerichtet sind, da sie nach der Aufweitung nicht geändert werden können. Siehe Abb. 7.6.

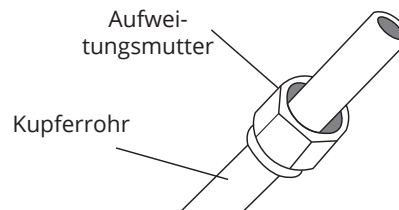


Abb. 7.6

4. Entfernen Sie das PVC-Band von den Rohrenden, wenn Sie bereit sind, die Aufweitungsarbeit durchzuführen.
5. Befestigen Sie den Aufweitungszapfen am Rohrende. Das Rohrende muss sich über den Aufweitungszapfen hinaus erstrecken.

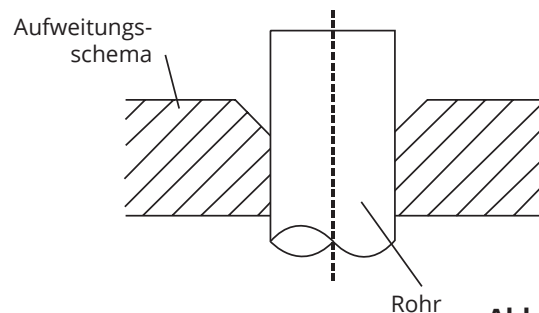


Abb. 7.7

- Setzen Sie das Aufweitungswerkzeug auf den Aufweitungszapfen.
- Drehen Sie den Handgriff des Aufweitungswerkzeugs im Uhrzeigersinn bis die Aufweitung des Rohrs vollendet ist. Aufweitung gemäß den Abmessungen von Tabelle 7.3 durchführen.

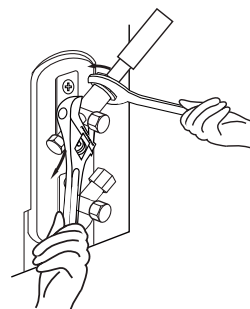


Abb. 7.10

**Tabelle 7.3: EXPANSION DER VERROHRUNG ÜBER DEN AUFWEITUNGSZAPFEN HINAUS**

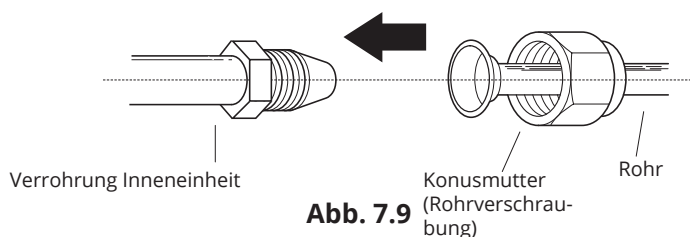
Rohr- durchmes- ser	Anzugsmoment	Aufweitungsabmessun- gen (A) (Einheit: mm/Zoll)		Konische Verbindungsform
		Min.	Max.	
Ø 6.4	18-20 N.m (183-204 kgf.cm)	8.4/0.33	8.7/0.34	<p>Abb. 7.8</p>
Ø 9.5	25-26 N.m (255-265 kgf.cm)	13.2/0.52	13.5/0.53	
Ø 12.7	35-36 N.m (357-367 kgf.cm)	16.2/0.64	16.5/0.65	
Ø 15.9	45-47 N.m (459-480 kgf.cm)	19.2/0.76	19.7/0.78	
Ø 19.1	65-67 N.m (663-683 kgf.cm)	23.2/0.91	23.7/0.93	
Ø 22	75-85 N.m (765-867 kgf.cm)	26.4/1.04	26.9/1.06	

- Entfernen Sie das Aufweitungswerkzeug und den Aufweitungszapfen und überprüfen Sie dann das Rohrende auf Risse und auf eine gleichmäßige Aufweitung.

#### 4. Schritt: Schließen Sie die Rohre an

Schließen Sie die Kupferrohre zuerst an die Inneneinheit und danach an die Außeneinheit an. Zuerst müssen Sie das Niederdruckrohr und danach das Hochdruckrohr anschließen.

- Beim Anschluss der Rohrverschraubungen müssen Sie eine dünne Schicht Öl für Kühlmittelleitungen auf die konischen Rohrenden auftragen.
- Richten Sie die Mitten der beiden anzuschließenden Rohre aus.



- Ziehen Sie die Rohrverschraubung so fest wie möglich von Hand an.
- Halten Sie die Mutter mit einem Schraubenschlüssel auf der Verrohrung des Geräts fest.
- Während Sie die Mutter festhalten, ziehen Sie die Rohrverschraubung mit einem Drehmomentschlüssel fest an, gemäß den Momentwerten in Tabelle 7.5.

**HINWEIS:** Benutzen Sie sowohl einen Schraubenschlüssel als auch einen Drehmomentschlüssel für den Anschluss bzw. die Entkoppelung von Rohren an das bzw. vom Gerät.

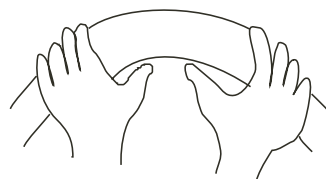
### ! VORSICHT

- Umwickeln Sie die Verrohrung mit Isoliermaterial. Ein direkter Kontakt mit blankem Rohr kann Verbrennungen bzw. Erfrierungen verursachen.
- Vergewissern Sie sich, dass das Rohr ordnungsgemäß angeschlossen worden ist. Ein eventuell übermäßiges Anziehen kann zu einer Beschädigung des aufgeweiteten Anschlusses, und ein zu lockeres Anziehen zu einer Leckage führen.

### HINWEIS ZUM MINIMALEN BIEGERADIUS

Biegen Sie vorsichtig das Rohr in der Mitte, wie in folgendem Diagramm beschrieben. Die Verrohrungen **NICHT** mehr als 90° oder mehr als 3 Mal biegen.

Biegen Sie das Rohr mit dem Daumen



Radius min. 10cm (3.9")

Abb. 7.11

- Nach dem Anschluss der Kupferrohre an die Inneneinheit, müssen Sie Stromkabel, Signalkabel und Verrohrung gemeinsam mit einem Band umwickeln.

**HINWEIS:** Das Signalkabel **NICHT** mit anderen Kabeln zusammenbinden. Wenn Sie oben genannte Kabel als Bündel binden, dürfen Sie das Signalkabel nicht mit anderen Kabeln zusammenbinden oder überkreuzen.

- Führen Sie dieses Bündel durch die Wand und schließen Sie es an die Außeneinheit an.
- Isolieren Sie alle Verrohrungen, einschließlich der Ventile der Außeneinheit.
- Öffnen Sie die Absperrventile der Außeneinheit, damit der Fluss des Kühlmittels zwischen Innen- und Außeneinheit erfolgen kann.

### ! VORSICHT

Stellen Sie sicher, dass nach Abschluss der Installationsarbeiten kein Kühlmittelausfluss vorhanden ist. Wenn ein Kühlmittelausfluss vorhanden ist, müssen Sie sofort den Raum lüften und die Anlage entleeren (siehe Kapitel Entlüftung in diesem Handbuch).



# Verkabelung

# 7

## Sicherheitsvorkehrungen



### WARNUNG

- Achten Sie darauf, die Stromversorgung zu trennen, bevor Sie Arbeiten am Gerät durchführen.
- Die gesamte Stromverkabelung muss gemäß den örtlichen und nationalen Vorschriften durchgeführt werden.
- Elektrische Verkabelungsarbeiten müssen durch einen Fachelektriker durchgeführt werden. Ein eventuell fehlerhafter Anschluss kann eine Störung des elektrischen Stromkreises, Verletzungen und Brand verursachen.
- Für dieses Gerät muss ein unabhängiger Stromkreis mit gesonderter Steckdose benutzt werden. **KEIN** anderes Gerät oder Ladegerät an dieselbe Steckdose anschließen. Wenn die Leistung des Stromkreises nicht ausreichend ist oder Fehler bei der Verkabelung vorliegen, kann ein Stromschlag, Brand oder Schaden am Gerät und anderen Objekten verursacht werden.
- Stromkabel an die Klemmen anschließen und mit Klemmstücken befestigen. Ein eventuell fehlerhafter Anschluss kann einen Brand auslösen.
- Vergewissern Sie sich, dass die gesamte Verkabelung ordnungsgemäß durchgeführt wird und dass die Abdeckung der Steuerplatine korrekt aufgesetzt worden ist. Anderenfalls kann eine Überhitzung an den Anschlussstellen, Brand und Stromschlag verursacht werden.
- Stellen Sie sicher, dass der Hauptversorgungsanschluss über einen Schalter implementiert wird, der alle Pole mit einem Spalt zwischen den Kontakten von mindestens 3mm (0.118 Zoll) isoliert.
- Ändern Sie **NICHT** die Länge des Stromkabels und benutzen Sie kein Verlängerungskabel.



### VORSICHT

- Schließen Sie erst die Kabel der Außeneinheit an, bevor Sie diejenigen der Inneneinheit anschließen.
- Sorgen Sie dafür, dass das Gerät geerdet ist. Das Erdungskabel sollte sich von Gasleitungen, Wasserversorgungsleitungen, Blitzableitern, Telefonkabeln oder anderen Erdungsleitern weg bewegen. Eine fehlerhafte Erdung kann zu einem Stromschlag führen.
- Das Gerät **NICHT** an die Stromquelle anschließen, bis die gesamten Verkabelungen und Verrohrungen abgeschlossen sind.
- Stellen Sie sicher, dass die Stromkabel die Signalkabel nicht kreuzen. Es können eventuell Interferenzen auftreten.

Folgen Sie dieser Anleitung, um eine Verzerrung (Funkstörung) während des Anlaufs des Kompressors zu vermeiden:

- Das Gerät muss an die Hauptsteckdose angeschlossen werden. Normalerweise muss die Stromversorgung einen niedrigen Eingangswiderstand von 32  $\Omega$  aufweisen.
- Es darf kein anderes Gerät an denselben Leistungskreis angeschlossen werden.
- Die Leistungsinformationen des Geräts entnehmen Sie dem Schild mit den Nenndaten des Produkts.

## BEACHTEN SIE DIE SICHERHEITSVORSCHRIFTEN

Die Platine der Klimaanlage ist so konzipiert, dass sie über eine Sicherung gegenüber Überstrom verfügt. Die Sicherheitsvorschriften sind auf der Platine gedruckt, z.B.:

**Inneneinheit:** T5A.250VAC/T10A, 250VAC/R32. (gilt für Geräte mit Kühlmittel R32)

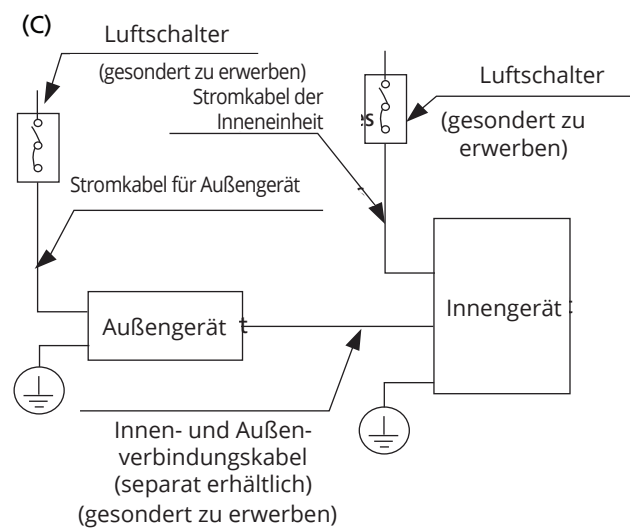
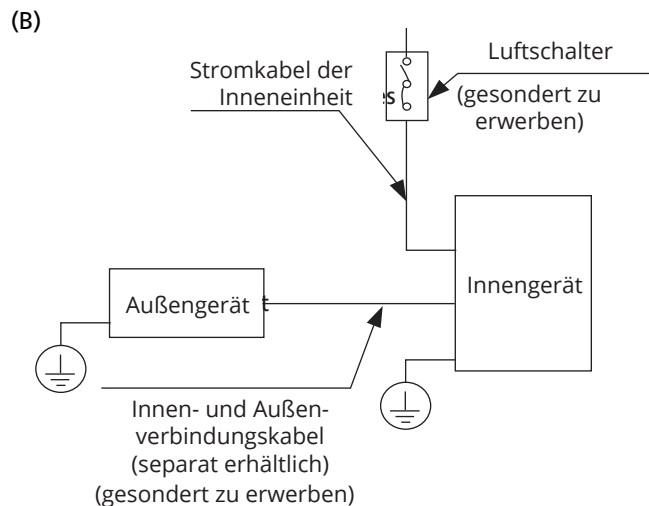
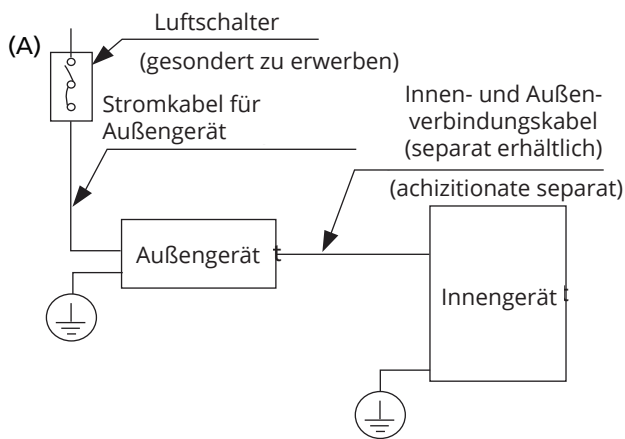
**Außeneinheit:** T20A/250VAC (für Geräte <24000Btu/h), T30A/250VAC(für Geräte >24000Btu/h)

**HINWEIS:** Die Sicherung ist aus Keramik.

## HINWEIS ZU LUFTSCHALTER

Wenn die maximale Stromstärke des Klimagerätes mehr als 16A beträgt, muss ein Luftscharter oder ein Fehlerschutzschalter mit Schutzvorrichtung verwendet werden (separat erhältlich). Wenn die maximale Stromstärke des Klimagerätes weniger als 16 A beträgt, muss das Netzkabel des Gerätes mit einem Stecker ausgestattet sein (separat zu erwerben). In Nordamerika sollte das Gerät gemäß den NEC- und CEC-Anforderungen verdrahtet werden.





**HINWEIS:** Die Abbildungen dienen nur zur Erläuterung. Ihre Anlage kann etwas anders aussehen. Die tatsächliche Form ist maßgebend.

## Verkabelung Außeneinheit



### WARNUNG

Bevor jegliche Elektroarbeit oder Verkabelung durchgeführt wird, müssen Sie den Hauptschalter der Stromversorgung der Anlage abschalten.

1. Bereiten Sie das Kabel für den Anschluss vor
  - a. Wählen Sie die richtige Kabelgröße aus. Der zu verwendende Kabeltyp ist H07RN-F.

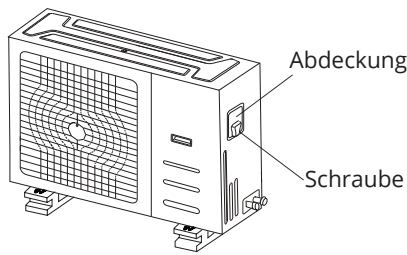
### Mindestquerschnittsfläche von Strom- und Signalkabeln (als Referenz)

Nennstrom des Geräts (A)	Nennquerschnittsfläche (mm <sup>2</sup> )
>3 und ≤6	0.75
>6 und ≤10	1
>10 und ≤16	1.5
>16 und ≤25	2.5
>25 und ≤32	4
>32 und ≤40	6

- b. Entfernen Sie mit einem Kabelabstreifer die elastische Isolierung an beiden Enden des Signalkabels, um ungefähr 15cm (5.9") der enthaltenen Kabel zu enthüllen.
- c. Schneiden Sie die Isolierung von den Enden der Adern ab.
- d. Mit Hilfe einer Kabelpresse, drücken Sie die Kabelverbinder an die Enden der Kabel auf.

**HINWEIS:** Beim Anschluss der Kabel müssen Sie unbedingt dem Schaltplan auf der Innenseite der Abdeckung des Elektrokastens folgen.

2. Nehmen Sie die Abdeckung des Elektrokastens der Inneneinheit ab. Wenn keine Abdeckung an der Außeneinheit vorhanden ist, demontieren Sie die Schrauben von der Wartungsplatte und entfernen die Schutztafel. (Siehe Abb. 8.1, 8.2)

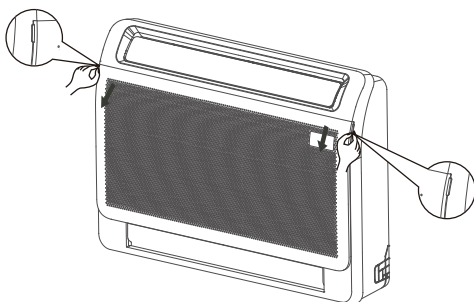


**Abb. 8.1**

3. Schließen Sie die Kabelverbinder an die Klemmen an. Ordnen Sie die Farben / Etiketten der Kabel den Etiketten der Klemmleiste zu und schrauben Sie den Kabelverbinder jedes Kabels auf die entsprechende Klemme.
4. Befestigen Sie das Kabel mit der Kabelklemme.
5. Isolieren Sie die Kabel, die nicht benutzt wurden, mit einem Isolierband. Sorgen Sie dafür, dass sich die Kabel weit entfernt von Elektroteilen und Metallzubehör befinden.
6. Setzen Sie die Abdeckung des Steuerkastens wieder auf.

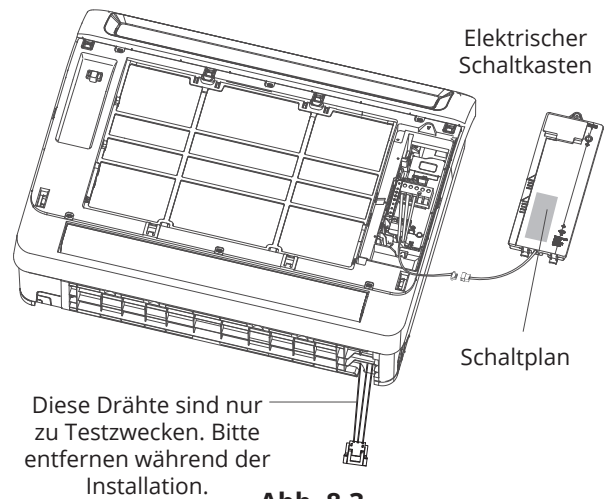
### Verkabelung Inneneinheit

1. Bereiten Sie das Kabel für den Anschluss vor
  - a. Entfernen Sie mit einem Kabelabstreifer die elastische Isolierung an beiden Enden des Signalkabels, um ungefähr 15cm (5.9") des Kabels zu enthüllen.
  - b. Schneiden Sie die Isolierung von den Enden der Adern ab.
  - c. Mit Hilfe einer Kabelpresse, drücken Sie die Kabelverbinder an die Enden der Kabel auf.
2. Ziehen Sie an den linken und rechten Griffen der Frontblende, ziehen Sie die Blende nach außen und öffnen Sie die Blende.



3. Führen Sie das Netzkabel und das Signalkabel durch den Kabeldurchgang.
4. Schließen Sie die Kabelverbinder an die Klemmen an.

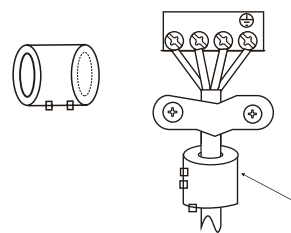
Ordnen Sie die Farben / Etiketten der Kabel den Etiketten der Klemmleiste zu und schrauben Sie den Kabelverbinder jedes Kabels auf die entsprechende Klemme. Siehe Seriennummer und Schaltplan auf der Abdeckung des Steuerkastens.



**Abb. 8.3**

**HINWEIS:** Achten Sie beim Herausnehmen des elektrischen Schaltkastens darauf, die Klemme zu lösen und zu entfernen.

Magnetring (falls enthalten und den anderen Bauteilen beigefügt)



Ziehen Sie das Band durch die Öffnung des Magnetrings, um diesen am Kabel zu befestigen

**Abb. 8.4**



## VORSICHT

- Beachten Sie beim Anschließen der Kabel unbedingt den Schaltplan.
- Der Kühlmittelkreislauf kann eine sehr hohe Temperatur entwickeln. Das Schnittstellenkabel sollte sich vom Kupferrohr entfernt befinden.

5. Befestigen Sie das Kabel mit der vorgesehenen Kabelklemme. Das Kabel darf weder locker sein noch die Klemmen belasten.

6. Bringen Sie die Abdeckung des Steuerkastens und die Maske der Inneneinheit wieder an.

## Stromnetzspezifikationen

**HINWEIS:** es muss ein automatischer Hilfsschalter / Heiztyp-Stromsicherung, mit einem Wert von über **10 A hinzugefügt werden.**

### Stromversorgungsspezifikationen Inneneinheit

MODEL(Btu/h)		≤16K	16K~18K
STROMVERSORGUNG	PHASSE	1-phasig	1-phasig
	FREQUENZ UND SPANNUNG	220-240V~, 50Hz/60Hz	220-240V~, 5-Hz/60Hz
SCHUTZSCHALTER/SICHERUNG(A)		20/16	20/16
INNENGERÄT STROMVERKABELUNG(mm <sup>2</sup> )		-----	-----
INNEN/AUSSEN-VERBINDUNGSVERKABELUNG(mm <sup>2</sup> )	VERKABELUNG DER AUSSENEINHEIT	3x1.5	3x2.5
	STARKES ELEKTRISCHES SIGNAL	4x1.0	4x1.0
	SCHWACHES ELEKTRISCHES SIGNAL	-----	-----
	ERDVERKABELUNG	1.5	2.5

# Entlüftung

# 8

## Sicherheitsvorkehrungen



### VORSICHT

- Benutzen Sie eine Vakuumpumpe mit einer Anzeige unter  $-0.1$  MPa und einer Entlüftungskapazität von mehr als 40l/min.
- Die Außeneinheit braucht keine Entlüftung. Öffnen Sie **NICHT** die Gas- und Wasserventile (Absperrventile) der Außeneinheit.
- Stellen Sie sicher, dass das Messgerät nach 2 Stunden  $-0,1$  MPa und darunter anzeigt. Wenn nach drei Stunden Betrieb die Anzeige des Messgeräts weiterhin größer als  $-0,1$  MPa ist, müssen Sie überprüfen, ob ein Gas- oder Wasserauslauf innerhalb des Rohres vorhanden ist. Wenn keine Leckage besteht, führen Sie nochmals eine Entlüftung für 1 bis 2 Stunden durch.
- Benutzen Sie **KEIN** Kühlgas für die Entlüftung der Anlage.

## Entlüftungsanleitung

Bevor Sie die Manometerkrümmer und die Vakuumpumpe benutzen, lesen Sie bitte die Gebrauchsanleitung für alle Instrumente durch, um sicherzustellen, dass Sie diese sicher bedienen können.

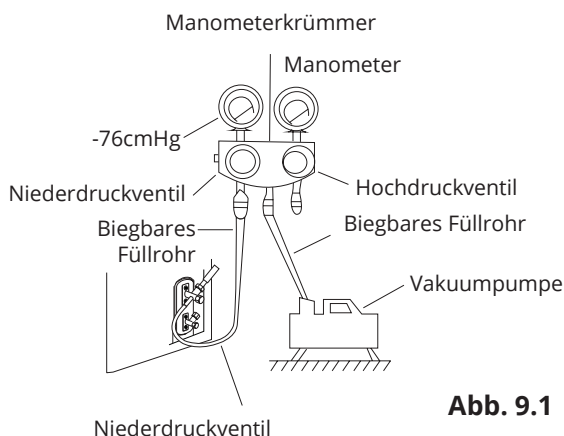


Abb. 9.1

1. Schließen Sie das Füllrohr der Manometerkrümmer an die Wartungsklappe am Niederdruckventil der Außeneinheit an.
2. Schließen Sie das Füllrohr der Manometerkrümmer an die Vakuumpumpe an.
3. Öffnen Sie die Niederdruckseite der Manometerkrümmer. Halten Sie die Hochdruckseite geschlossen.

4. Starten Sie die Vakuumpumpe, um das System zu entlüften.
5. Lassen Sie die Pumpe für mindestens 15 Minuten bzw. bis am Multi-Instrument die Anzeige  $-76\text{cmHg}$  ( $-1 \times 10^5\text{Pa}$ ) erscheint, im Vakuumbetrieb laufen.
6. Schließen Sie das Niederdruckventil der Manometerkrümmer und schalten Sie die Vakuumpumpe ab.
7. Warten Sie 5 Minuten und vergewissern Sie sich dann, dass sich der Systemdruck nicht mehr verändert.

**HINWEIS:** Wenn es keine Veränderung des Systemdrucks gibt, schrauben Sie die Hochdruckventilkappe ab. Wenn eine Veränderung des Drucks vorliegt, besteht möglicherweise ein Gasleck.

8. Führen Sie einen Sechskantschlüssel in das Hochdruckventil ein und öffnen Sie das Ventil, indem Sie den Sechskantschlüssel gegen den Uhrzeigersinn um  $1/4$  Umdrehung drehen. Stellen Sie mit dem Ohr fest, ob Gas von der Anlage ausströmt und schließen Sie nach 5 Sekunden das Ventil.

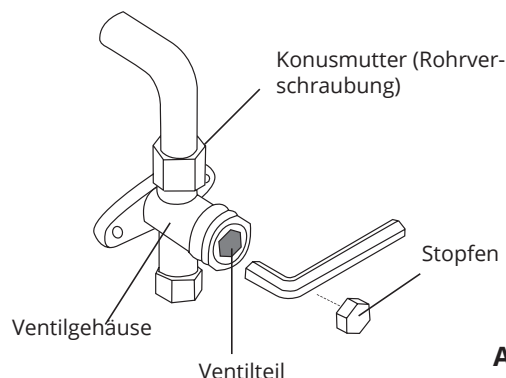


Abb. 9.2

9. Beobachten Sie das Manometer für eine Minute, um sicherzustellen, dass die Druckanzeige unverändert bleibt. Es muss einen leicht höheren Druck im Verhältnis zum atmosphärischen Druck anzeigen.
10. Entfernen Sie den biegbaren Füllschlauch von der Wartungsklappe.
11. Öffnen Sie beide Ventile für Nieder- und Hochdruck vollständig mit einem Schraubenschlüssel.

### ÖFFNEN SIE VORSICHTIG DIE VENTILSPINDELN

Beim Öffnen der Ventilspindeln, drehen Sie den Schlüssel bis zum Anschlag (Stopp). Versuchen Sie **NICHT** das Ventil mit Gewalt noch weiter zu öffnen.

12. Ziehen Sie von Hand die Stopfen der Ventile an und dann mit einem geeigneten Werkzeug.

## Hinweis zum Kühlmittelzusatz



### VORSICHT

- Der Zusatz von Kühlmittel darf erst nach Abschluss der Anschlussarbeiten, der Vakuumbwicklung und der Leckprüfung durchgeführt werden.
- Die maximal zulässige Kühlmittelmenge **NICHT** überschreiten und die Anlage nicht überfüllen. Dies kann das Gerät beschädigen oder den ordentlichen Betrieb beeinträchtigen.
- Eine Füllung mit ungeeigneten Stoffen kann Explosionen oder Verletzungen hervorrufen. Vergewissern Sie sich, dass das geeignete Kühlmittel benutzt wird.
- Die Kühlmittelbehälter müssen vorsichtig und langsam geöffnet werden. Tragen Sie während der Füllung der Anlage immer eine Schutzausrüstung.
- Vermischen Sie **NICHT** unterschiedliche Kühlmittelsorten.
- Für das Modell mit Kühlmittel R290 oder R32, müssen Sie dafür sorgen, dass sichere Raumbedingungen herrschen, indem Sie beim Zusatz des Kühlmittels in das Klimagerät, das entzündliche Material überprüfen.

Bei einigen Systemen ist, je nach Rohrlänge, eine zusätzliche Aufladung erforderlich. Die typischen Rohrlängen variieren in Abhängigkeit von den örtlichen Bestimmungen. In Nordamerika beträgt die typische Rohrlänge beispielsweise 7,5m (25'). In anderen Regionen beträgt die typische Rohrlänge 5 m (16'). Das zusätzlich einzufüllende Kühlmittel kann nach folgender Formel berechnet werden:

#### Durchmesser der Flüssigkeitsseite

	$\phi 6.35(1/4")$	$\phi 9.52(3/8")$	$\phi 12.7(1/2")$
<b>R32:</b>	(Gesamtrohrlänge - typische Rohrlänge)x 12g(0.13oz)/m(ft)	(Gesamtrohrlänge - typische Rohrlänge)x 24g(0.26oz)/m(ft)	(Gesamtrohrlänge - typische Rohrlänge)x 40g(0.42oz)/m(ft)

## Vor dem Testbetrieb

Nach vollständigem Abschluss der Installation der gesamten Anlage, muss ein Testbetrieb durchgeführt werden. Bevor Sie den Testbetrieb durchführen, müssen Sie Folgendes sicherstellen:

- a) Die Innen- und Außeneinheiten wurden ordnungsgemäß installiert.
- b) Verrohrungen und Verkabelung wurden ordnungsgemäß angeschlossen.
- c) Es bestehen keine Hindernisse in der Nähe der Ein- und Ausläufe des Geräts, die seine Leistungsfähigkeit reduzieren oder eine Störung verursachen könnten.
- d) Das Kühlsystem weist kein Leck auf.
- e) Das Abflusssystem liegt frei und der Abfluss erfolgt an einer sicheren Stelle.
- f) Die Wärmedämmung wurde ordnungsgemäß angebracht.
- g) Die Erdungskabel sind korrekt angeschlossen.
- h) Die Länge der Verrohrungen und die zusätzliche Kühlmittelspeicherkapazität wurden erfasst.
- i) Die Stromspannung ist für die Klimaanlage geeignet.



## VORSICHT

Wenn Sie versäumen, den Testbetrieb durchzuführen, kann dies zu Schäden am Gerät, Sachschäden oder Verletzung von Personen führen.

## Testbetriebsanleitungen

1. Öffnen Sie die Flüssigkeits- und Gasventile (Absperrventile).
2. Öffnen Sie den Hauptschalter und lassen Sie das Gerät vorheizen.
3. Stellen Sie die Klimaanlage auf COOL (Kühlung).
4. Für das Innengerät
  - a. Stellen Sie sicher, dass die Fernbedienung und ihre Tasten ordnungsgemäß funktionieren.
  - b. Vergewissern Sie sich, dass sich die Luftklappen ordnungsgemäß bewegen und ihre Funktion über die Fernbedienung geändert werden kann.
  - c. Prüfen Sie sorgfältig, ob die Raumtemperatur korrekt erfasst wurde.

- d. Vergewissern Sie sich, dass die Anzeige der Fernbedienung und die Anzeigetafel der Inneneinheit ordnungsgemäß funktionieren.
- e. Vergewissern Sie sich, dass die von Hand bedienten Tasten der Inneneinheit ordnungsgemäß funktionieren. f. Vergewissern Sie sich, dass das Abflusssystem frei ist und dass der Abfluss ordnungsgemäß erfolgt.
- g. Vergewissern Sie sich, dass kein Vibrieren bzw. ungewöhnlicher Lärm während des Betriebs entsteht.

## 5. Für die Außeneinheit

- a. Überprüfen Sie, ob eventuelle Leckagen am Kühlsystem vorhanden sind.
  - b. Vergewissern Sie sich, dass kein Vibrieren bzw. ungewöhnlicher Lärm während des Betriebs entsteht.
  - c. Sorgen Sie dafür, dass die vom Gerät abgegebene Luft, der Lärm und das Wasser, nicht die Nachbarn stören und keine Gefahr für die Sicherheit darstellen.
- ## 6. Abflusstest
- a. Stellen Sie sicher, dass das Abflussrohr einen gleichmäßigen Abfluss aufweist. Bei Neubauten sollte dieser Test durchgeführt werden, bevor die Decke fertiggestellt ist.
  - b. Entfernen Sie die Steuerungsabdeckung. Füllen Sie 2.000ml Wasser durch das angeschlossene Rohr in den Tank.
  - c. Schalten Sie den Hauptschalter ein und stellen Sie die Klimaanlage auf Kühlung (COOL).
  - d. Hören Sie die Kondensatpumpe auf ungewöhnliche Geräusche ab.
  - e. Stellen Sie sicher, dass das Wasser abfließt. Je nach Abflussrohr, kann es bis zu einer Minute dauern, bis das Gerät entleert ist.
  - f. Stellen Sie sicher, dass an keiner Stelle in den Rohrleitungen Lecks vorhanden sind.
  - g. Stoppen Sie die Klimaanlage. Schalten Sie den Hauptschalter aus und bringen Sie die Testabdeckung wieder an.

**HINWEIS:** Wenn das Gerät nicht richtig oder wie erwartet funktioniert, lesen Sie bitte das Kapitel Problembehebung in diesem Benutzerhandbuch, bevor Sie den Kundendienst anrufen.

## Europäische Richtlinien bezüglich der Entsorgung des Produkts

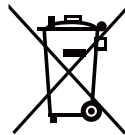
10

Benutzer in den Staaten der Europäischen Union müssen das Gerät ordnungsgemäß entsorgen. Dieses Gerät enthält entzündliches Kühlmittel und andere eventuell gefährliche Materialien. Für die Entsorgung dieses Geräts wird vom Gesetz eine besondere Einsammlung und Verarbeitung vorgesehen. Dieses Produkt **NICHT** zusammen mit Haushaltsmüll oder gemischten Siedlungsabfällen entsorgen.

Für die Entsorgung dieses Geräts stehen Ihnen folgende Optionen zur Verfügung:

- Entsorgen Sie das Gerät an eine geeignete Gemeindeanlage zur Einsammlung von Elektronik-Altgeräten.
- Beim Kauf eines neuen Geräts, nimmt der Händler das alte Gerät kostenlos entgegen.
- Der Hersteller nimmt das Altgerät kostenlos entgegen.
- Verkaufen Sie das Gerät an ein Altmetallverwaltungsunternehmen.

**HINWEIS:** Die Entsorgung des Geräts im Freien oder in einem Waldgebiet schadet Ihrer Gesundheit und der Umwelt. Es besteht die Möglichkeit, dass gefährliche Stoffe in das Grundwasser und in die Nahrungskette gelangen.





# Reparaturhinweise

(Nur bei Geräten erforderlich, die Kühlmittel R32/R290 verwenden)

11

## 1. Überprüfung des Raums

Vor Beginn der Arbeiten an Anlagen, die entzündliche Kühlmittel enthalten, ist die Durchführung von Sicherheitsprüfungen erforderlich, um eine Minimierung der Zündgefährlichkeit zu gewährleisten. Bei der Reparatur von Kühlsystemen müssen vor Beginn der Arbeiten an der Anlage folgende Vorsichtsmaßnahmen eingehalten werden.

## 2. Arbeitsverfahren

Die Arbeiten müssen auf der Grundlage eines geregelten Verfahrens vorgenommen werden, um die Gefahr einer Freisetzung von entzündlichen Gasen oder Verdunstungen bei der Durchführung der Arbeiten zu minimieren.

## 3. Allgemeiner Arbeitsraum

Das gesamte Wartungspersonal und andere in der Nähe beschäftigte Personen müssen über die Art der vorzunehmenden Arbeiten informiert worden sein. Arbeiten in geschlossenen Räumen müssen vermieden werden. Der Bereich rund um den Arbeitsraum muss gesperrt werden. Vergewissern Sie sich durch Kontrolle der entzündlichen Stoffe, dass die Bedingungen innerhalb des Bereichs sicher sind.

## 4. Kontrolle auf das eventuelle Vorhandensein von Kühlmittel

Der Bereich muss vor Beginn und während der Arbeiten mit einem geeigneten Kühlmitteldetektor kontrolliert werden, sodass das Fachpersonal das Vorhandensein von eventuell entzündlicher Luft im Raum rechtzeitig erkennt. Vergewissern Sie sich, dass die benutzte Ausrüstung zur Ortung von Leckagen für den Gebrauch bei entzündlichen Kühlmitteln geeignet ist, d.h. dass sie keine Funken verursacht, dicht genug und gebrauchssicher konzipiert ist.

## 5. Vorhandensein eines Feuerlöschers

Wenn Heißenarbeiten an der Kühlanlage oder an ähnlichem Zubehör durchgeführt werden, muss eine geeignete Feuerlöschausstattung unmittelbar zur Verfügung stehen. Sorgen Sie dafür, dass ein Pulver- oder CO<sub>2</sub>-Feuerlöscher neben der Füllstelle vorhanden ist.

## 6. Abwesenheit von Zündquellen

Personen, die mit bzw. an einer Kühlanlage arbeiten, die entzündliches Kühlmittel enthält, dürfen Zündquellen nicht in einer Art benutzen, die eine Brand- oder Explosionsgefahr verursacht. Alle potentiellen Zündquellen, einschließlich des Rauchens, müssen sich in einem sicheren Abstand vom Ort der Installation, der Reparatur, des Ausbaus und der Entsorgung befinden, sofern das Risiko einer Freisetzung des Kühlmittels in die Umgebung besteht. Vor Beginn der Arbeiten muss eine Inspektion des Bereichs rund um das Gerät vorgenommen werden, um die Abwesenheit entzündlicher Elemente bzw. einer Zündgefahr zu bestätigen. Es müssen „NICHT RAUCHEN“-Kennzeichnungen angebracht werden.

## 7. Belüfteter Raum

Bevor Sie in die Anlage eingreifen oder Heißenarbeiten durchführen, müssen Sie sich vergewissern, dass sich der Ort im Freien befindet oder ausreichend belüftet wird. Ein gewisser Lüftungsgrad muss auch während der Durchführung der Arbeiten gegeben sein. Die Entlüftung muss eventuell freigesetztes Kühlmittel sicher entfernen und vorzugsweise an die Außenluft abführen.

## 8. Kontrollen an der Kühlanlage

Falls elektrische Teile ersetzt werden, müssen diese für den vorgesehenen Zweck geeignet sein und den

Vorschriften entsprechen. Es müssen auf jeden Fall die Anleitungen und Wartungshinweise des Herstellers befolgt werden. Im Zweifelsfall, kontaktieren Sie den Kundendienst des Herstellers.

Bei Anlagen, die entzündliche Kühlmittel benutzen, müssen folgende Kontrollen durchgeführt werden:

- das Volumen der Kühlmittelfüllung entspricht den Abmessungen des Zimmers, in dem die Bauteile, die Kühlmittel enthalten, installiert werden
- das Gerät und die Lüftungsstutzen funktionieren ordnungsgemäß und sind nicht blockiert
- Wenn ein indirekter Kühlmittelkreislauf verwendet wird, sollten die Sekundärkreisläufe auf das Vorhandensein von Kühlmittel geprüft werden. Die Kennzeichnung der Ausrüstung müssen weiterhin sichtbar und lesbar sein
- eventuell unleserliche Kennzeichnungen und Symbole müssen wiederhergestellt werden
- Das Kühlmittelrohr oder seine Anschlüsse sind so angeordnet, dass ihr Kontakt mit Substanzen, die zur Korrosion von kühlmittelhaltigen Bauteilen führen können, unwahrscheinlich ist, es sei denn, die Bauteile bestehen aus korrosionsbeständigen Baumaterialien und sind ausreichend dagegen geschützt.

## 9. Kontrollen an Elektrogeräten

Die Reparatur und Wartung von elektrischem Zubehör umfasst anfängliche Sicherheitserstprüfungen und Inspektionsverfahren der Bauteile. Liegt eine Störung vor, die eine Gefahr für die Sicherheit darstellen könnte, darf keine Stromversorgung angeschlossen werden, bis diese Störung in geeigneter Weise beseitigt worden ist. Falls die Störung nicht sofort beseitigt werden kann, aber ein Fortsetzen des Betriebs trotzdem notwendig ist, muss eine geeignete vorläufige Lösung angewendet werden. Diese Gelegenheit muss dem Betreiber des Geräts mitgeteilt werden, sodass alle verwickelten Personen darüber in Kenntnis gesetzt werden. Die anfänglichen Sicherheitserstprüfungen umfassen:

- Entladung der Kondensatoren: dies muss auf eine sichere Art und Weise geschehen, um eine eventuelle Funkenbildung zu vermeiden
- Abwesenheit ungeschützter Elektroteile und Verkabelungen während der Füllung, Rückgewinnung oder Entlüftung der Anlage
- kontinuierliche Erdung

## 10. Reparaturen an dichten Bauteilen

10.1 Während der Reparaturen an dichten Bauteilen müssen alle Stromversorgungen vom Gerät, in das eingegriffen werden soll, abgetrennt werden, bevor luftdichte Abdeckungen usw. entfernt werden. Wenn während der Reparaturen unbedingt eine Stromversorgung am Gerät erforderlich ist, muss an der kritischsten Stelle eine ständige Leckdetektorfunktion vorhanden sein, um vor einer potenziell gefährlichen Situation zu warnen.

10.2 Folgende Hinweise müssen besonders beachtet werden, um sicherzustellen, dass keine Verformung des Gehäuses während der Arbeiten an Elektrobauteilen stattfindet, die das Schutzniveau beeinträchtigen könnte. Dazu gehören Kabelschäden, eine zu hohe Anzahl von Anschlüssen, Klemmen, die nicht gemäß den ursprünglichen Vorgaben angepasst worden sind, Dichtungsmaterialschäden, fehlerhafter Einsatz von Kabelverschraubungen usw.

- Vergewissern Sie sich, dass das Gerät gut befestigt ist.
- Vergewissern Sie sich, dass die Dichtungseinsätze bzw. das Dichtungsmaterial nicht in einem Maße beschädigt sind, dass sie nicht mehr das Eindringen von entzündlichen Gasen verhindern können. Die Ersatzteile müssen den Vorschriften des Herstellers entsprechen.

**HINWEIS:** Der Gebrauch von Silikondichtmassen kann die Wirksamkeit von bestimmten Leckdetektoren einschränken. Werkseitig sichere Bauteile benötigen keine Isolierung bevor daran gearbeitet wird.

## 11. Reparaturen an werkseitig sicheren Bauteilen

Legen Sie keine ständige induktive bzw. kapazitive Last an den Stromkreis an, ohne zuvor sicherzustellen, dass letzterer das zulässige Spannungs- und Stromniveau für das benutzte Gerät nicht überschreiten kann. Werkseitig sichere Bauteile sind die einzigen, an denen Arbeiten bei vorhandener entzündlicher Raumluft durchgeführt werden können, während sie an der Spannung angeschlossen sind. Das Prüfgerät muss einen geeigneten Nennwert aufweisen. Bauteile nur gegen vom Hersteller vorgesehene Ersatzteile

austauschen. Die Verwendung anderer Teile kann im Fall einer Emission in die Außenluft zur Zündung des Kühlmittels beitragen.

## **12. Verkabelung**

Vergewissern Sie sich, dass die Verkabelung keinem Verschleiß, Korrosion, übermäßigem Druck, Vibrationen, scharfen Kanten oder anderen schädlichen Umwelteinflüssen ausgesetzt ist. Bei der Inspektion müssen die Betriebsjahre des Geräts und die ständigen Vibrationen von Teilen wie Kompressoren oder Ventilatoren berücksichtigt werden.

## **13. Erfassung entzündlicher Kühlmittel**

Es dürfen auf keinen Fall potentielle Zündquellen für die Suche oder Ortung von Kühlmittel-Leckagen benutzt werden. Es dürfen keine Halogen-Metaldampflampen (oder andere Detektoren, die eine offene Flamme verwenden) benutzt werden.

## **14. Methoden zur Leckerfassung**

Folgende Leckerfassungsmethoden gelten als geeignet für Anlagen, die entzündliche Kühlmittel enthalten. Es müssen elektronische Leckdetektoren für die Erfassung entzündlicher Kühlmittel benutzt werden, wobei deren Empfindlichkeit eventuell nicht ausreichend ist oder sie müssen erneut kalibriert werden. (Die Detektoren müssen in einem Raum kalibriert werden, wo kein Kühlmittel vorhanden ist.) Vergewissern Sie sich, dass der Detektor keine potenzielle Zündquelle darstellt und dass er für das Kühlmittel geeignet ist. Die Leckerfassungsvorrichtung muss als Anteil des LFL des Kühlmittels eingestellt werden und je nach benutztes Kühlmittel kalibriert werden, wobei der geeignete Gasanteil bestätigt werden muss (25% max.). Leckerfassungsflüssigkeiten sind für die meisten Kühlmittel geeignet, wobei der Gebrauch von Reinigungsmitteln, die Chlor enthalten, gemieden werden muss, da Chlor möglicherweise mit dem Kühlmittel reagieren und somit eine Korrosion der Kupferrohre verursachen kann.

Bei Verdacht eines Lecks müssen alle offenen Flammen entfernt oder gelöscht werden. Wenn ein Kühlmittelleck erfasst wird, für das ein Hartlöten erforderlich ist, muss das gesamte Kühlmittel der Anlage zurückgewonnen oder in einem Bereich der Anlage isoliert werden (mittels Absperrventilen), der sich weit weg vom Leck befindet. Im Anschluss wird, sowohl vor als auch während des Hartlötens, sauerstofffreier Stickstoff (OFN) in die Anlage geleitet.

## **15. Entfernung und Entlüftung**

Beim einem Eingriff in den Kühlmittelkreislauf zur Reparatur oder für andere Zwecke, sollten die herkömmlichen Verfahren angewendet werden. Es ist jedoch wichtig, aufgrund der Entzündungsgefahr, die aktuelle bewährte Praxis anzuwenden. Folgendes Verfahren sollte befolgt werden:

- Kühlmittel entfernen
- Reinigung des Kreislaufs mit einem Inertgas
- Entlüftung
- erneute Reinigung mit Inertgas
- Kreislauf durch Schneiden oder Hartlöten öffnen

Die Kühlmittelfüllung muss in den entsprechenden Auffangflaschen aufgefangen werden. Das System muss mit OFN gereinigt werden, um die Sicherheit des Geräts zu gewährleisten. Dieser Vorgang muss eventuell mehrmals wiederholt werden. Für diese Arbeit darf keine Druckluft oder Sauerstoff verwendet werden. Die Reinigung muss mit OFN unter Abschalten des Vakuums im System erfolgen, anschließend muss der Füllvorgang bis zum Erreichen des Betriebsdrucks fortgeführt werden, es folgt die Ableitung in die Atmosphäre und letztendlich der Vakuumaufbau. Dieser Vorgang sollte wiederholt werden, bis sich kein Kühlmittel mehr im System befindet.

Wenn die OFN-Endlast verwendet wird, sollte das System bis zum Erreichen des atmosphärischen Drucks entladen werden, damit die Arbeiten ausgeführt werden können. Diese Arbeit ist von größter Bedeutung, wenn an den Rohren Lötvorgänge durchgeführt werden sollen.

Stellen Sie sicher, dass sich der Auslass der Vakuumpumpe nicht in der Nähe möglicher Zündquellen befindet und dass eine ausreichende Belüftung vorhanden ist.

## 16. Füllverfahren

Neben den herkömmlichen Füllverfahren müssen folgende Voraussetzungen erfüllt sein:

- Stellen Sie sicher, dass die verschiedenen Kühlmitteltypen bei der Verwendung der Füllausstattung nicht kontaminiert werden. Die Schläuche oder Leitungen sollten so kurz wie möglich sein, um die enthaltene Menge an Kühlmittel zu minimieren.
- Die Flaschen sollten aufrecht stehen.
- Stellen Sie sicher, dass das Kühlsystem geerdet ist, bevor Sie das System mit Kühlmittel füllen.
- Markieren Sie das System, wenn der Füllvorgang abgeschlossen ist (falls nicht bereits markiert).
- Es ist darauf zu achten, dass das System nicht übermäßig gefüllt wird.
- Vor dem Nachfüllen des Systems wird eine Druckprüfung mit OFN durchgeführt. Das System wird nach Abschluss des Füllvorgangs, aber vor der Inbetriebnahme, auf Dichtheit geprüft. Vor dem Verlassen der Anlage, wird ein wiederholter Lecktest durchgeführt.

## 17. Außerbetriebsetzung

Vor der Ausführung dieses Verfahrens ist es wichtig, dass der Techniker mit dem Gerät in allen Einzelheiten vertraut ist. Es wird empfohlen, alle Kühlmittel sicher zurückzugewinnen. Vor der Ausführung dieser Arbeit, sollten eine Probe Öl und Kühlmittel entnommen werden.

Wenn vor der Wiederverwendung des rückgewonnenen Kühlmittels eine Analyse erforderlich ist, ist es wichtig, dass vor Beginn der Arbeit Strom verfügbar ist.

- a) Machen Sie sich mit dem Gerät und seiner Bedienung vertraut.
- b) Trennen Sie das System von der Stromversorgung.
- c) Bevor Sie dieses Verfahren ausführen, stellen Sie sicher, dass:
  - mechanische Geräte für den Umgang mit Kühlmittelflaschen zur Verfügung stehen, falls erforderlich
  - alle Mittel der persönlichen Schutzausrüstung verfügbar sind und ordnungsgemäß verwendet werden
  - der Rückgewinnungsprozess ständig von einer Person mit dem entsprechenden Fachwissen betreut wird
  - die Rückgewinnungsausrüstung und Flaschen den jeweiligen Standards entsprechen
- d) Wenn möglich, den Druck auf das Kühlmittelsystem durch Pumpen reduzieren.
- e) Wenn es nicht möglich ist, ein Vakuum aufzubauen, schaffen Sie einen Verteiler, damit das Kühlmittel aus den verschiedenen Teilen des Systems entfernt werden kann.
- f) Stellen Sie sicher, dass sich die Flasche auf einer Waage befindet, bevor Sie die Rückgewinnung durchführen.
- g) Starten Sie die Rückgewinnungsapparatur und verwenden Sie diese gemäß den Anweisungen des Herstellers.
- h) Die Flaschen nicht überfüllen. (nicht mehr als 80% der Flüssigkeitsladung als Volumenanteil).
- i) Überschreiten Sie nicht den maximalen Arbeitsdruck der Flasche, auch nicht vorübergehend.
- j) Wenn die Flaschen ordnungsgemäß gefüllt und das Verfahren abgeschlossen ist, stellen Sie sicher, dass die Flaschen und die Ausrüstung sofort aus dem Bereich entfernt werden und alle Absperrventile der Ausrüstung geschlossen sind.
- k) Das rückgewonnene Kühlmittel darf nicht in ein anderes Kühlsystem gegeben werden, es sei denn, es wurde zuvor gereinigt und geprüft.

## 18. Kennzeichnung

Das Gerät sollte so gekennzeichnet werden, dass ersichtlich ist, dass es außer Betrieb gesetzt worden ist und dass das Kühlmittel entleert wurde. Das entsprechende Etikett muss datiert und unterschrieben sein. Stellen Sie sicher, dass sich auf dem Gerät Etiketten befinden, die darauf hinweisen, dass das Gerät entzündliches Kühlmittel enthält.

## 19. Rückgewinnung

- Beim Entleeren des Kühlmittels aus einem System, entweder zur Wartung oder zur Außerbetriebnahme, wird empfohlen, alle Kühlmittel sicher zu entfernen.
- Stellen Sie sicher, dass beim Transfer des Kühlmittels in Flaschen nur geeignete Kühlmittelrückgewinnungsflaschen benutzt werden. Stellen Sie sicher, dass die entsprechende Anzahl an Flaschen zur Speicherung der gesamten Systemfüllung verfügbar ist. Alle zu verwendenden Flaschen müssen für das rückgewonnene Kühlmittel geeignet und für dieses Kühlmittel gekennzeichnet sein (spezielle Kühlmittelrückgewinnungsflaschen). Die Flaschen müssen vollständig gefüllt sein, mit einem Überdruckventil und zugehörigen Absperrventilen in gutem Zustand.
- Leere Rückgewinnungsflaschen werden entleert und wenn möglich vor der Rückgewinnung gekühlt.
- Die Rückgewinnungsausrüstung muss in einwandfreiem Zustand sein und entsprechende Anweisungen für diese Ausrüstung enthalten. Sie muss für die Rückgewinnung von entzündlichen Kühlmitteln geeignet sein. Zusätzlich muss ein Satz geeichten Waagen in einem guten Betriebsstatus zur Verfügung stehen.
- Die Schläuche müssen vollständig mit Sicherheitsisoliergliedern gegen Lecks geschützt und in einwandfreiem Zustand sein. Vergewissern Sie sich vor der Verwendung der Rückgewinnungsapparatur, dass sie in einwandfreiem Zustand ist, dass sie ordnungsgemäß gewartet wird und die zugehörigen elektrischen Komponenten dicht sind, um bei einer Kühlmittelfreisetzung eine Entzündung zu verhindern. Im Zweifelsfall, wenden Sie sich an den Hersteller.
- Das zurückgewonnene Kühlmittel sollte in einer geeigneten Rückgewinnungsflasche an den Kühlmittellieferanten zurückgegeben werden, wobei Sie darauf achten müssen, dass der entsprechende Beleg vorliegt (Abfallübergabeschein). Mischen Sie keine unterschiedlichen Kühlmittel in Rückgewinnungseinheiten, insbesondere in Flaschen.
- Wenn Kompressoren oder Kompressoröle entfernt werden sollen, stellen Sie sicher, dass sie in einem akzeptablen Maße entleert worden sind, um sicherzustellen, dass kein entzündliches Kühlmittel im Schmiermittel verbleibt. Der Entleerungsprozess sollte stattfinden, bevor der Kompressor an den Lieferanten zurückgegeben wird. Um diesen Vorgang zu beschleunigen, kann nur die elektrische Heizung im Kompressorgehäuse verwendet werden. Das Ablassen von Öl aus einem System, sollte auf sichere Weise erfolgen.

## 20. Transport, Kennzeichnung und Lagerung von Einheiten

1. Transport von Geräten, die brennbare Kühlmittel enthalten. Einhaltung der Transportvorschriften
2. Kennzeichnung der Geräte durch Schilder. Einhaltung der örtlichen Vorschriften
3. Entsorgung von Geräten mit brennbaren Kühlmitteln. Einhaltung der nationalen Vorschriften
4. Lagerung von Ausrüstung / Geräten. Die Lagerung der Geräte muss den Anweisungen des Herstellers entsprechen.
5. Lagerung von verpackten Geräten (die noch nicht verkauft worden sind)

Das Schutzgehäuse für die Lagerung sollte so konstruiert sein, dass die Kühlmittelfüllung nicht durch mechanische Beschädigung der Ausrüstung in der Verpackung austreten kann.

Die maximale Anzahl von Geräten, die in demselben Satz gelagert werden können, ist durch die örtlichen Bestimmungen festgelegt.

---

Die Abbildungen in diesem Handbuch dienen lediglich zur Erläuterung der Funktionen. Die tatsächliche Form der Einheit, die Sie gekauft haben, kann etwas abweichen, aber die Bedienung und Funktionen sind gleich.

Das Unternehmen übernimmt keinerlei Haftung für eventuell in diesem Dokument enthaltene falsch gedruckte Informationen. Der Inhalt dieses Handbuchs und die technischen Daten dieses Produkts können für Verbesserungsgründe ohne Vorankündigung geändert werden.

Bitte wenden Sie sich an den Hersteller unter +30 211 300 3300 oder an die Verkaufsentur, um weitere Informationen zu erhalten. Alle zukünftigen Aktualisierungen des Handbuchs werden auf die Service-Website hochgeladen. Es wird empfohlen, immer nach der neuesten Version zu suchen.



Scannen Sie bitte hier, um die neueste Version dieses Handbuchs herunterladen zu können.  
[www.inventorairconditioner.com/media-library](http://www.inventorairconditioner.com/media-library)



# AIR CONDITIONING SYSTEMS

## CONSOLE TYPE



V:1.0.102022

Scan here to download the latest version of this manual.  
Σαρώστε εδώ για να κατεβάσετε την τελευταία έκδοση του εγχειριδίου.

Please check the applicable models,  
F-GAS and manufacturer information from the "Owner's Manual - Product Fiche" in the packaging of the outdoor  
unit. (European Union products only).