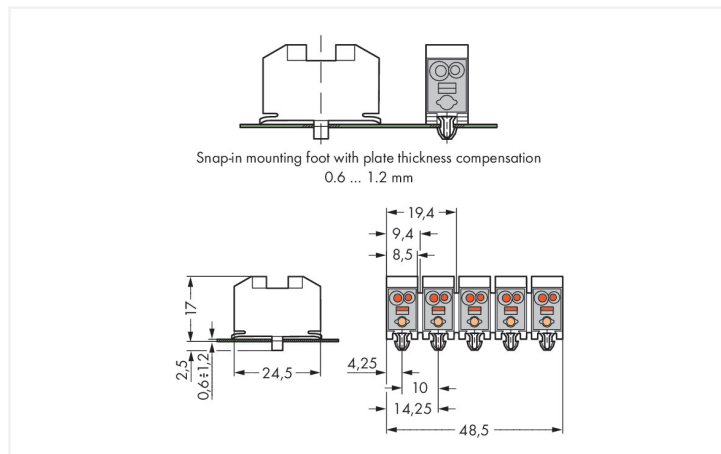


Data Sheet | Item Number: 272-681

Power supply connector; without push-buttons; with snap-in mounting feet; without ground contact; 1-pole; white

<https://www.wago.com/272-681>



Color: ■ white

Similar to illustration

Dimensions in mm

Field-wiring terminal block, 272 Series, PUSH WIRE®

Easily, quickly and safely connect conductors with this field-wiring terminal block (item number 272-681). Ensure that the strip lengths are between 8 and 9 mm when connecting conductors to this field-wiring terminal block. This product features one conductor terminal and utilizes PUSH WIRE®. Our reliable PUSH WIRE® connection offers the fastest method for clamping conductors. It utilizes the conductor's stiffness to overcome the clamping spring's contact force. The dimensions are (8.5 x 19.5 x 24.5) mm (width x height x depth).

Electrical data

Ratings per	IEC/EN 60664-1		
Overvoltage category	III	III	II
Pollution degree	3	2	2
Nominal voltage	-	400 V	-
Rated impulse withstand voltage	-	4 kV	-
Rated current	-	26 A	-

Connection Data

Clamping units	4
Total number of potentials	1
Number of connection types	1

Connection 1

Connection technology	PUSH WIRE®
Strip length	8 ... 9 mm / 0.31 ... 0.35 inches
Pole number	1

Physical data

Width	8.5 mm / 0.335 inches
Height	19.5 mm / 0.767 inches
Depth	24.5 mm / 0.965 inches

Material data

Note (material data)	Information on material specifications can be found here
Color	white
Material group	I
Insulation material (main housing)	Polyamide (PA66)
Flammability class per UL94	V0
Fire load	0.062 MJ
Weight	3.2 g

Commercial data

Product Group	8 (Misc. Chassis Mount Blocks)
PU (SPU)	1000 pcs
Packaging type	Bag
Country of origin	DE
GTIN	4044918434423
Customs tariff number	85369010000

Product Classification

UNSPSC	39121409
eCl@ss 10.0	27-14-11-04
eCl@ss 9.0	27-14-11-04
ETIM 9.0	EC000446
ETIM 10.0	EC000446
ECCN	NO US CLASSIFICATION

Environmental Product Compliance

RoHS Compliance Status	Compliant, No Exemption
------------------------	-------------------------

Approvals / Certificates

General approvals



Approval	Standard	Certificate Name
CCA DEKRA Certification B.V.	EN 60998	NTR NL 7384
CCA DEKRA Certification B.V.	EN 60998	2176190.01
CSA DEKRA Certification B.V.	C22.2 No. 158	70048844
UR Underwriters Laboratories Inc.	UL 1059	E45172

Declarations of conformity and manufacturer's declarations

Approval	Standard	Certificate Name
EU-Declaration of Confor- mity WAGO GmbH & Co. KG	-	-
UK-Declaration of Confor- mity WAGO GmbH & Co. KG	-	-


Approvals for marine applications




Approval	Standard	Certificate Name
ABS American Bureau of Ship- ping	-	23-2417173-PDA
DNV DNV GL SE	-	TAE000016Z
LR Lloyds Register	IEC 61984	96/20035 (E5)

Downloads



Environmental Product Compliance

Compliance Search
Environmental Product Compliance 272-681 

Documentation

Additional Information			
Technical Section	03.04.2019	pdf 2027.26 KB	

CAD/CAE-Data

CAE data			
EPLAN Data Portal 272-681			
WSCAD Universe 272-681			

1 Compatible Products

1.1 Optional Accessories

1.1.1 Tool

1.1.1.1 Assembly tool



Item No.: 249-100
Operating tool; for terminal blocks with
snap-in ground contact

1.1.1.2 Operating tool



[Item No.: 271-120](#)

Push-button; white