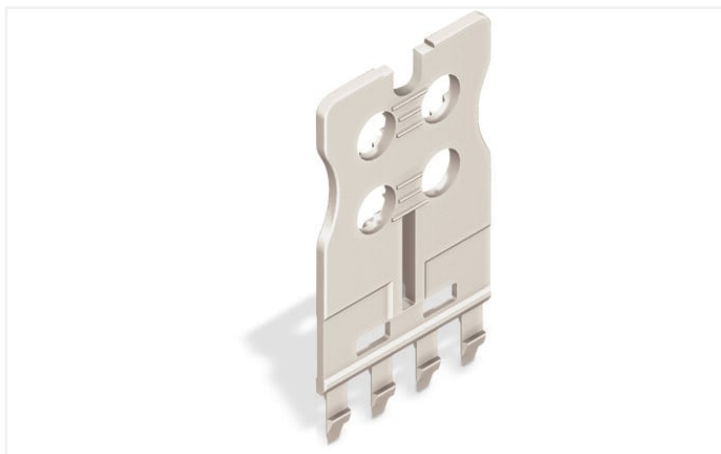


## Data Sheet | Item Number: 2092-3601

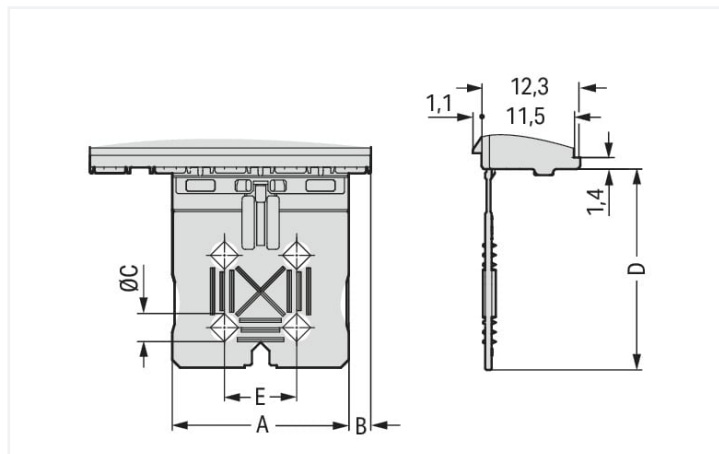
Gripping plate; for female and male connectors; 1 part; Pin spacing 7.5 mm; 3-pole; light gray

<https://www.wago.com/2092-3601>



Color: ■ light gray

Similar to illustration



Dimensions in mm

### Physical data

Pin spacing 7.5 mm / 0.295 inches

### Material data

Note (material data)

[Information on material specifications can be found here](https://www.wago.com/us/material-specifications)

Color light gray

Fire load 0.007 MJ

Weight 0.2 g

### Commercial data

Product Group 26 (picoMAX Connectors)

eCl@ss 10.0 27-14-11-92

eCl@ss 9.0 27-14-11-92

ETIM 8.0 EC002848

ETIM 7.0 EC002848

PU (SPU) 100 (25) pcs

Packaging type Box

Country of origin DE

GTIN 4050821164913

Customs tariff number 85389099990

### Environmental Product Compliance

RoHS Compliance Status Compliant, No Exemption

## Downloads

### Environmental Product Compliance

#### Compliance Search

Environmental Product  
Compliance 2092-3601



## Documentation

### Additional Information

Technical Section

03.04.2019

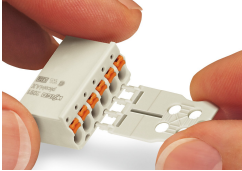
pdf

2010.85 KB



## Installation Notes

### Strain relief



Gripping plates are suitable for factory and field assembly.