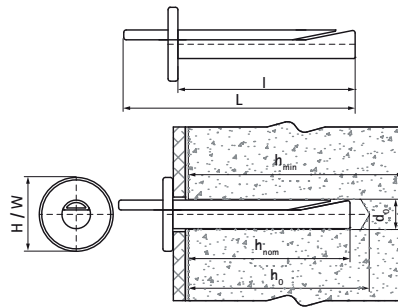


## Walraven WCA1 Ceiling Anchor

(L0380)

economical ceiling hammer-set anchor



### Features & benefits

- through-fixing
- simple and quick installation procedure
- correct anchor installation can be verified by simple visual check
- medium load capacity
- substrate type: cracked concrete, non-cracked concrete
- for loads and more information, refer to the product data sheet
- material: steel
- zinc plated

Product Number	Length	Drill Hole Diameter	Min. Drill Hole Depth	Minimum Substrate Thickness	Standard Embedment Depth	Total Height	Total Width	Total Length
Reference letter	<i>l</i>	<i>d0</i>	<i>h0 min</i>	<i>hmin</i>	<i>hnom</i>	<i>H</i>	<i>W</i>	<i>L</i>
Unit description	<i>mm</i>	<i>mm</i>	<i>mm</i>	<i>mm</i>	<i>mm</i>	<i>mm</i>	<i>mm</i>	<i>mm</i>
60963604	36	6	40	100	≥ 32	15	15	48