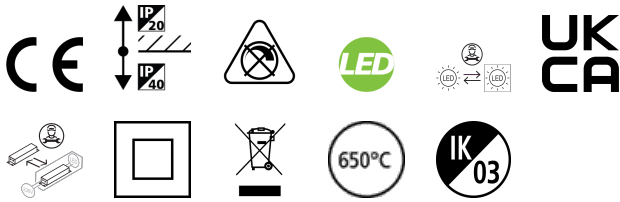


START SPOT SCOOP 4500LM 940 MB WHITE

Item No: 0060587

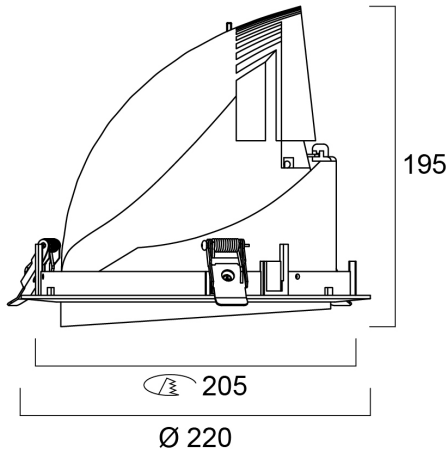
SYLVANIA



Recessed Adjustable Accent Downlight, integrated LED, die cast aluminium body, Ø205mm cut-out, CCT 4000K, SDCM<3, CRI90, 4500lm, total power consumption 48W, resulting in 94lm/W.

Technical Assets

Dimensions (mm)

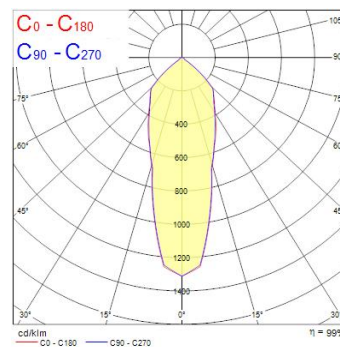


Photometrics

Distance [m]	Cone diameter [m]	Beam diameter [m]	Illuminance [lx]
0.5	0.29	E17°	2396
	0.30	E130° 15.2°	1049
1.0	0.58	E17°	590
	0.59	E130° 15.2°	295
1.5	0.87	E17°	262
	0.89	E130° 15.2°	132
2.0	1.16	E17°	147
	1.18	E130° 15.2°	86
2.5	1.45	E17°	94
	1.48	E130° 15.2°	61
3.0	1.74	E17°	66
	1.78	E130° 15.2°	49

Distance [m] Cone diameter [m] Beam diameter [m] Illuminance [lx]

— C0 - C180 (Half beam angle: 33.0°) — C90 - C270 (Half beam angle: 32.4°)



START SPOT SCOOP 4500LM 940 MB WHITE

Item No: 0060587

SYLVANIA

General data

Product name	START SPOT SCOOP 4500LM 940 MB WHITE
Technology	LED
Housing	Aluminium
Environment	Indoor
General application	Retail
Operating temperature range (°C)	-10°C...+40°C
Performance ambient temperature Tq (°C)	25
ETIM Class	EC001744
E-number FI	4276984
Warranty	5 years

Optical data

Useful luminous flux (Φuse)	4500
Fixture luminous flux (lm)	4500
Luminaire efficacy (lm/W)	94
Correlated colour temperature (k)	4000
Colour Code	940
Light colour	Neutral White
CRI (Ra)	90
Colour Variation Initial (SDCM)	SDCM3
Beam Angle (°)	32
Photobiological Risk Group	RG1

Electrical data

Total power consumption (W)	48
Current (A)	0.22
Primary Supply/Product voltage - min (V)	220
Primary Supply/Product voltage - max (V)	240
Lamp power factor	0.90
THD (at 230 V, 50 Hz, full load, at 100% dimming level) ≤ xx.x %	20.0
Electrical protection	Class II
Dimmable	No
Drive current (mA)	1200
Inrush Current (A)	15
Inrush Duration (µs)	200
Energy Efficiency Class (A->G) of contained light source	E
Nominal Frequency (Hz)	50/60Hz
LED Flickering Rate	Medium (21% - 40%)
Max. products per 10A C Breaker	14
Max. products per 13A C Breaker	18
Max. products per 16A C Breaker	22
Max. products per 20A C Breaker	28

Lifetime data

Lifespan L70 B50	50000
Lifespan L80 B20	32000
Lifespan L90 B10	15000

START SPOT SCOOP 4500LM 940 MB WHITE

Item No: 0060587

SYLVANIA

Physical data

Housing colour	RAL 9016 - Traffic white / Bezel
IP rating	IP40/20
IK rating	IK03
Diffuser finish	Transparent
Diffuser material	Glass
Nominal Product Length (mm)	220
Nominal Product Width (mm)	220
Nominal Product Height (mm)	195
Weight (kg)	2.2

Packaging

Product EAN number	5410288605876
Packaging single length / height (cm)	23.0
Packaging single width (cm)	23.0
Packaging single depth (cm)	19.0
DUN14 (inner)	15410288605873
Units per outer package	4
Packaging outer length / height (cm)	48.0
Packaging outer width (cm)	48.0
Packaging outer depth (cm)	20.5

Safety data

Glow Wire Test (°C)	650
Optimal operating condition (°C)	-10-40