

Connector AM-TOP

Part number: 557



MENNEKES
Elektrotechnik GmbH & Co. KG

Aloys-Mennekes-Straße 1
57399 Kirchhundem
GERMANY

www.MENNEKES.org

Product Description

- screw connection technology
- single part body
- protection against kinking
- strain relief
- cable gland and sealing

Technical Details

| Connector AM-TOP | 557 |
|---|---------------------------------|
| Product serie | AM-TOP |
| Ampere | 32A |
| Number of poles | 4p |
| Clock position | 7h |
| Nominal voltage AC | 500V |
| Nominal frequency | 50 - 60 Hz |
| Protection type IP | IP67 |
| Contact carrier | standard |
| X-CONTACT | no |
| Connection | screw terminals |
| Contact screw drive | PZ2, slot |
| Tightening torque connection terminal for cable cross-section 2,5 - 4,0 mm ² | 0.8 Nm |
| Tightening torque connection terminal for cable cross-section 6,0 mm ² | 1.2 Nm |
| Recommended wire end treatment for supply cable connection terminal | ferrule square gasproof crimped |
| Strip length jacket | 50 mm |
| Strip length conductor PH + N | 12 - 17 mm |
| Strip length conductor PE | 12 - 17 mm |
| Pilot contact | without pilot contact |
| Conductor cross-section min. | 2.5 mm ² |
| Conductor cross-section max. | 6 mm ² |
| Cable kink protection | integrated in cable gland |

| | |
|-----------------------------|----------------------------|
| Connector AM-TOP | 557 |
| Protective grommet | without protective grommet |
| Weight (net) | 302 g |
| Packaging unit | 10 pcs |
| EAN / identification number | 4015394004134 |

Permissible ambient conditions

| | Min. | Max. |
|-------------------------------|--------|-------|
| Permanent ambient temperature | -25 °C | 40 °C |

Material properties

| | |
|--------------|---|
| Housing | PA6 black [similar RAL 9005] |
| Hinged lid | PA6 black [similar RAL 9005] TPE black [similar RAL 9005] PBT/PC squirrel grey [similar RAL 7000] |
| Clamp basket | PA6 natural colour [no RAL colour code] TPE natural colour [no RAL colour code] |
| Fastening | PA6 squirrel grey [similar RAL 7000] |

Material resistance

The material resistance overview can be found on the website in the section “Knowledge” - “Product knowledge” - “Materials”.

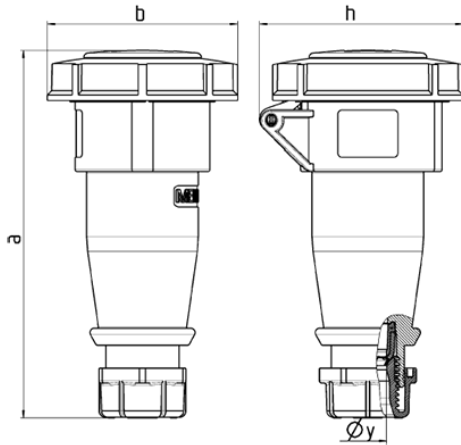
Material and environmental properties

| | |
|-----------------------------------|---|
| RoHS 2011/65/EU incl. 2015/863/EU | ✓ |
| POP regulation (EU) 2019/1021 | ✓ |

Regulations and Standards

| | |
|---------------------------|--------------------|
| Norm | DIN EN IEC 60309-2 |
| Declaration of Conformity | CE |
| Test label | VDE, EAC, CQC |

Dimensional Drawing



| Drawing 3 MB 62 | Amp. Poles | 16 | | | 32 | | |
|--------------------------------------|---------------|------|------|------|-----|-----|-----|
| | | 3 | 4 | 5 | 3 | 4 | 5 |
| Dim. in mm | a | 146 | 166 | 172 | 212 | 212 | 213 |
| | b | 72 | 79 | 89 | 96 | 96 | 102 |
| | h | 80 | 88 | 95 | 98 | 98 | 105 |
| | y | 14.5 | 16 | 16 | 22 | 22 | 22 |
| Terminal for cond. cross | | 1 | 1 | 1 | 2.5 | 2.5 | 2.5 |
| section (mm ²) min.-max. | | -2.5 | -2.5 | -2.5 | -6 | -6 | -6 |