



Features

- Premium performance professional LED MR16 range with the same look and feel of traditional halogen MR16 lamp. Recreates backlight effect similar to halogen dichroic lamps. Full glass design - means no colours clashing between lamp and fixture. Very long lifetime of up to 25,000 hours. Switching cycles: >100,000. Colour rendering: CRI80. Lamp voltage: 12V AC/DC. Warranty: 5 Years

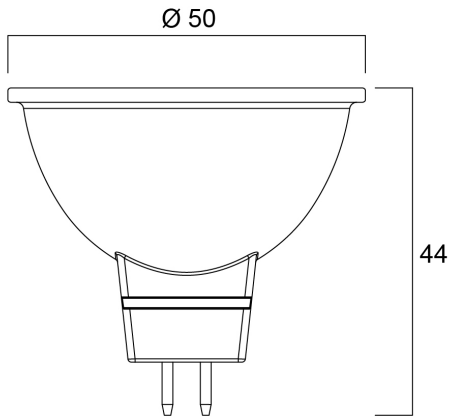
Product Overview

Product name	RefLED Superia Retro MR16 V3 621LM 865 36 SL
Technology	LED
Watt (Rated) (W)	6
Lamp shape	Reflector
Cap/Base	GU5.3
Lamp finish	Fresnel lens
Fixture rating	Open
General application	Education, Hospitality, Museums & Galleries, Residential & Consumer, Retail
ETIM Class	EC001959
Correlated colour temperature (k)	6500
Light colour	Daylight
CRI (Ra)	80
Colour Variation Initial (SDCM)	6
Beam Angle (°)	36
Photobiological Risk Group	RG1
Wattage (W)	6
Power consumption (W)	6

RefLED Superia Retro MR16 V3 621LM 865 36 SL 0031812

Control gear type	LED driver constant current
Dimmable	No
Housing colour	Transparent
IP rating	IP20
Product EAN number	5410288318127
Warranty	3 years
Dimming method	N/A
Useful luminous flux (#use)	621

Technical drawings



Data table

GENERAL DATA

Product name	RefLED Superia Retro MR16 V3 621LM 865 36 SL
Technology	LED
Watt (Rated) (W)	6
Lamp shape	Reflector
Cap/Base	GU5.3
Lamp finish	Fresnel lens
Fixture rating	Open

RefLED Superia Retro MR16 V3 621LM 865 36 SL 0031812

General application	Education, Hospitality, Museums & Galleries, Residential & Consumer, Retail
ETIM Class	EC001959
Warranty	3 years

OPTICAL DATA

Useful luminous flux (#use)	621
Correlated colour temperature (k)	6500
Light colour	Daylight
CRI (Ra)	80
Colour Variation Initial (SDCM)	6
Luminous Intensity (cd)	1150
Beam Angle (°)	36
Photobiological Risk Group	RG1

ELECTRICAL DATA

Power consumption (W)	6
Wattage (W)	6
Equivalent watt (W)	50
Current (A)	0.6
Primary Supply/Product voltage - min (V)	12.0
Primary Supply/Product voltage - max (V)	12.0
Control gear required	Yes
Control gear type	LED driver constant current
No. Of switching cycles before premature failures	>50000
Dimmable	No
Dimming method	N/A
Inrush Current (A)	4.12
Inrush Duration (µs)	1400
Lamp Energy Label (class)	E
Nominal Frequency (Hz)	DC

LIFETIME DATA

RefLED Superia Retro MR16 V3 621LM 865 36 SL 0031812

Lifespan L70 B50	25000
------------------	-------

PHYSICAL DATA

Housing colour	Transparent
IP rating	IP20
Nominal Product Height (mm)	44
Nominal Product Diameter (mm)	50
Weight (kg)	0.041

PACKAGING

Product EAN number	5410288318127
Packaging single length / height (cm)	6.1
Packaging single width (cm)	5.1
Packaging single depth (cm)	8.2
DUN14 (inner)	15410288318124
Units per inner package	6
Packaging inner length / height (cm)	19.4
Packaging inner width (cm)	11.1
Packaging inner depth (cm)	9.2
DUN14 (outer)	25410288318121
Units per outer package	60
Packaging outer length / height (cm)	58.5
Packaging outer width (cm)	20.8
Packaging outer depth (cm)	20.8

SAFETY DATA

Breakage cleaning instructions	Not applicable
Special purpose lamp	No
Dry applications use only	Yes
Suitable for household illumination	Yes
Safety message	Not Suitable for totally enclosed fixtures

SYLVANIA

RefLED Superia Retro MR16 V3 621LM 865 36 SL
0031812

Energy label



0031812



6
kWh/1000h



2019/2015



0031812



6
kWh/1000h



2019/2015