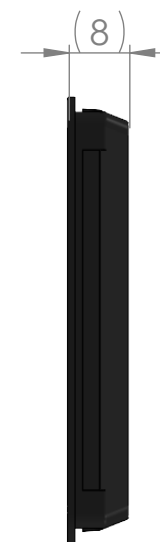
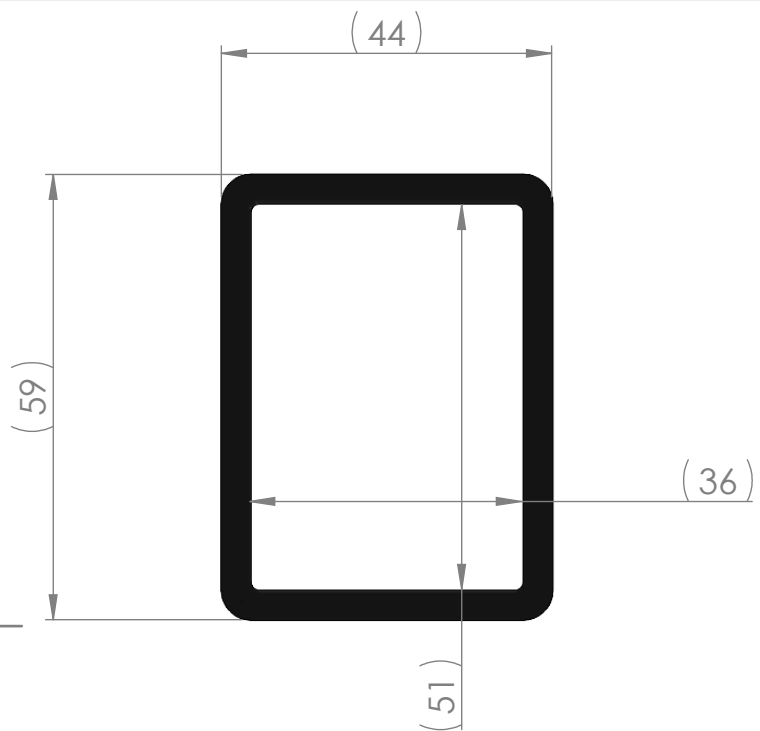


# COMMERCIAL DRAWING



A

A

	PRODUCT: Grommet Connect	
	ARTICLE NUMBER: 500005	WEIGHT: Approx. 0,01 Kg
PROJECT PP2201	MATERIAL: Plastic	RELEASE DATE:
ENGINEERING ID: 950009	DISCLAIMER: NO RIGHTS CAN BE DERIVED FROM THE INFORMATION PROVIDED BY THIS DOCUMENT	