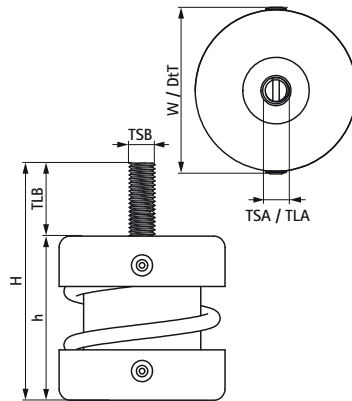


Walraven VibraTek® MS-M Spring Mount

(L20503)

compact spring isolator for light equipment



Features & benefits

- low-rise spring isolator with M8 external thread for light equipment or tight spaces
- recommended for machinery with working speeds above 1000 rpm
- steel frame attached to spring mechanically with metal rivets
- average ratio $K_x / K_z = K_y / K_z = 1.3$
- working temperature range -90 °C till 200 °C
- material: steel
- zinc plated

Product Number	VVS Number	Total Height	Total Width	Total Depth	Height	Thread Size A	Thread Length A	Thread Size B	Thread Length B	Recommended Minimum Load Faz	Recommended Maximum Load Faz	Maximum Static Deflection
Reference letter		H	W	DtT	h	TSA	TLA	TSB	TLB			
Unit description		mm	mm	mm	mm		mm		mm	N	N	mm
2800200150	018092615	73	51	51	50.5	M8	6.3	M8	22.5	30	140	12
2800200250	018092625	73	51	51	50.5	M8	6.3	M8	22.5	50	230	12
2800200500	018092650	73	51	51	50.5	M8	6.3	M8	22.5	100	450	12
2800200750	018092675	73	51	51	50.5	M8	6.3	M8	22.5	150	680	12
2800201000	018092710	73	51	51	50.5	M8	6.3	M8	22.5	200	980	12