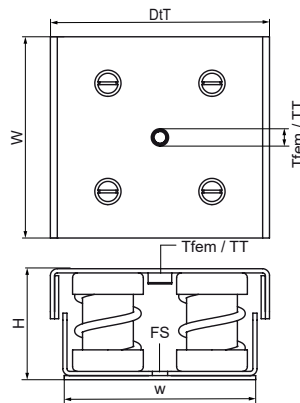


Walraven VibraTek® MS-4 Spring Mount

(L20515)

High performance spring isolator for medium to heavy equipment



Features & benefits

- recommended for equipment with low working speeds, from 600 rpm and above
- flexible internal filler prevents debris and solid elements entering and damaging the spring under load
- ribs in the metal base provide increased stiffness
- slot holes facilitate positioning and anchoring to the base material
- epoxy powder-coated base, caps and springs provide increased resistance to corrosion
- average ratio $K_x / K_z = K_y / K_z = 2.0$
- working temperature range -90 °C till 150 °C

Product Number	Female Thread	Thread Type	Total Width x Total Height x Total Depth	Width	Fixing Slot	Heart To Heart Distance	Recommended Minimum Load Faz	Recommended Maximum Load Faz	Maximum Static Deflection
Reference letter	Tfem	TT	W x H x DtT	w	FS	k	N	N	23
Unit description			mm x mm x mm	mm	mm	mm	N	N	mm
2800501000	M10	Metric	145 x 79 x 158	140	19x11	118	200	900	23
2800501500	M10	Metric	145 x 79 x 158	140	19x11	118	260	1,350	23
2800502000	M10	Metric	145 x 79 x 158	140	19x11	118	400	1,800	23
2800503000	M10	Metric	145 x 79 x 158	140	19x11	118	700	2,700	23
2800504000	M10	Metric	145 x 79 x 158	140	19x11	118	800	3,600	23
2800505000	M10	Metric	145 x 79 x 158	140	19x11	118	1,000	4,500	23