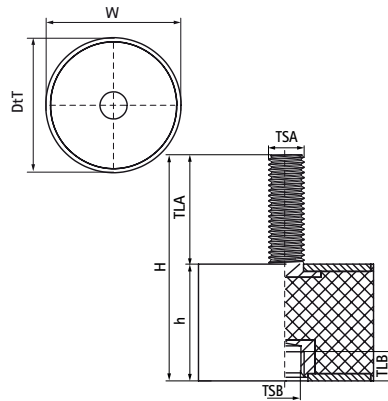


Walraven VibraTek® SB-MF Silentblock

(L20563)

a rubber silentblock with an external and internal thread



Features & benefits

- a universal rubber absorber, ideal for use with all kinds of elastic suspension or mounting of equipment
- ideal for use with machinery and equipment mounted on metallic surface
- with a male and female thread
- for use in compression only
- working temperature range -30 °C till 80 °C

Product Number	Thread Size A	Thread Size B	Thread Length A	Thread Length B	Total Height	Total Width	Total Depth	Height	Maximum Allowed Load Faz
<i>Reference letter</i>	<i>TSA</i>	<i>TSB</i>	<i>TLA</i>	<i>TLB</i>	<i>H</i>	<i>W</i>	<i>DT</i>	<i>h</i>	<i>F_{0,z}</i>
<i>Unit description</i>			<i>mm</i>	<i>mm</i>	<i>mm</i>	<i>mm</i>	<i>mm</i>	<i>mm</i>	<i>N</i>
2801500420	M8	M8	23	8	48	30	30	25	420
2801500750	M8	M8	23	8	63	40	40	40	750
2801501170	M10	M10	28	8	68	50	50	40	1,170
2801501690	M12	M12	37	10	77	60	60	40	1,690
2801500181	M8	M8	23	8	43	20	20	20	180
2801500291	M8	M8	23	8	43	25	25	20	290