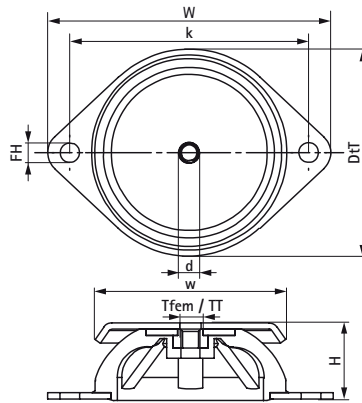


## Walraven VibraTek® MR-B Rubber Mount

(L20530)

bell-shaped elastomer isolator for isolation of equipment and machinery



### Features & benefits

- recommended for machinery with working speeds above 2500 rpm, providing a degree of vibration insulation from 75% to 80%
- ideally suited for machinery with radial vibration (as opposed to axial) and prone to sudden or pronounced starts and stops
- metal and rubber parts can be separated for recycling
- working temperature range -30 °C till 80 °C

Product Number	Female Thread	Thread Type	Total Width x Total Height x Total Depth	Width	Diameter	Fixing Hole	Heart To Heart Distance	Recommended Minimum Load Faz	Recommended Maximum Load Faz	Maximum Static Deflection
Reference letter	Tfem	TT	W x H x DtT	w	d	FH	k	N	N	3.5
Unit description			mm x mm x mm	mm	mm	mm	mm	N	N	mm
2801800240	M6	Metric	90 x 24 x 66	60	6.7	6.2	76	50	225	3.5
2801800750	M8	Metric	120 x 27 x 86	80	8.2	8.2	100	130	700	4
2801801500	M10	Metric	148 x 28 x 106	100	11	10.2	124	150	1,400	5.5